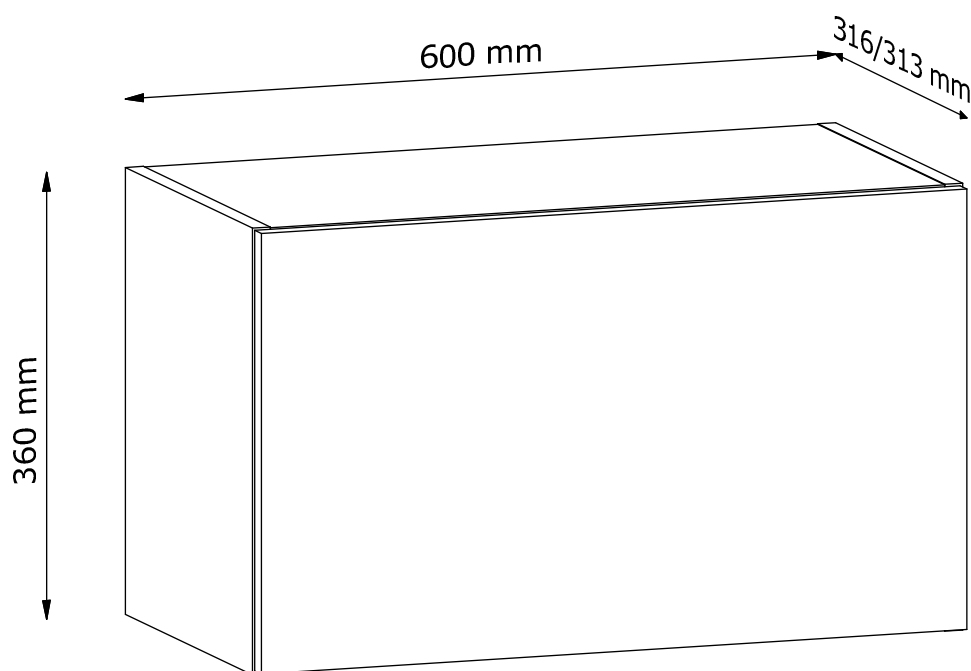
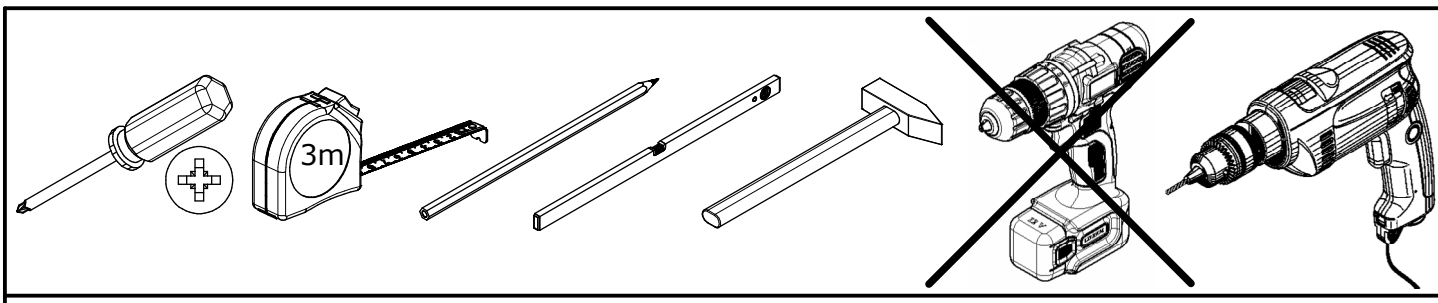


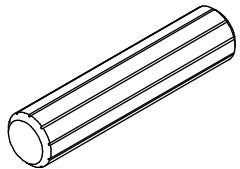
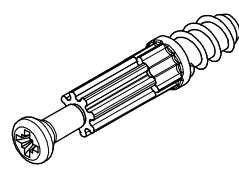
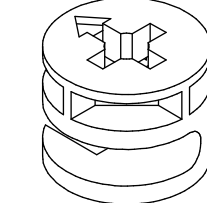
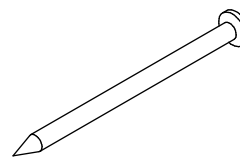
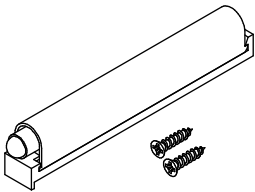
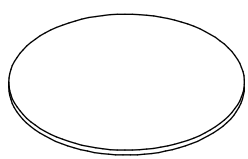
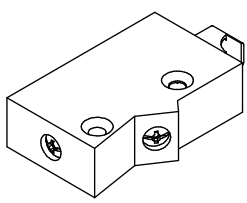
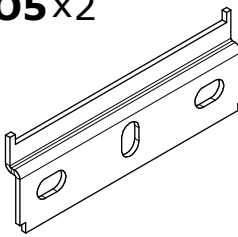
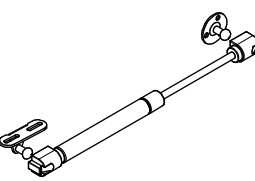
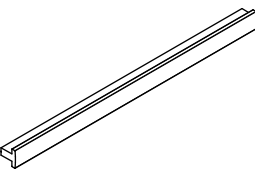
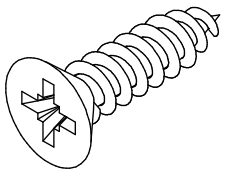
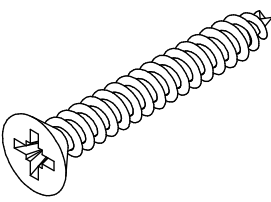

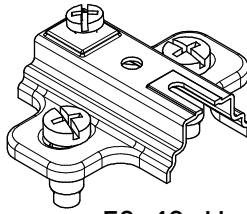
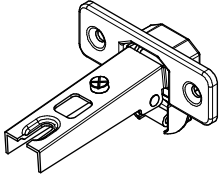
G60KN

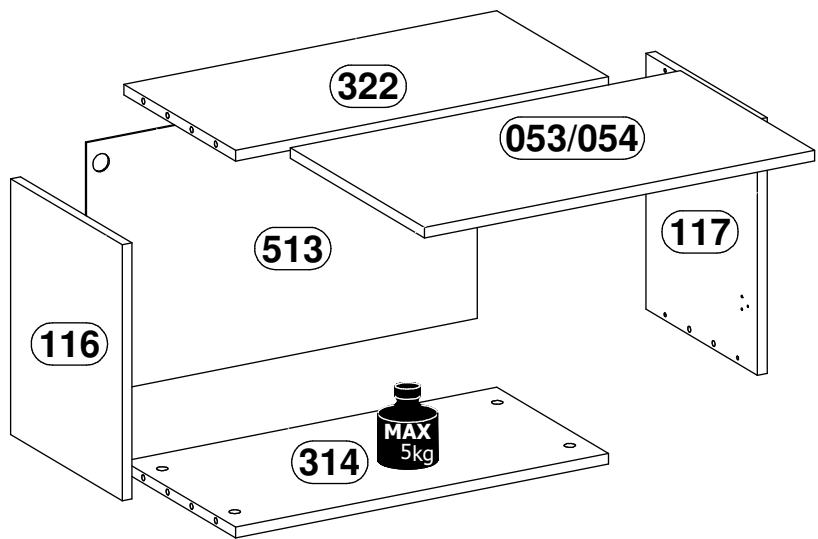
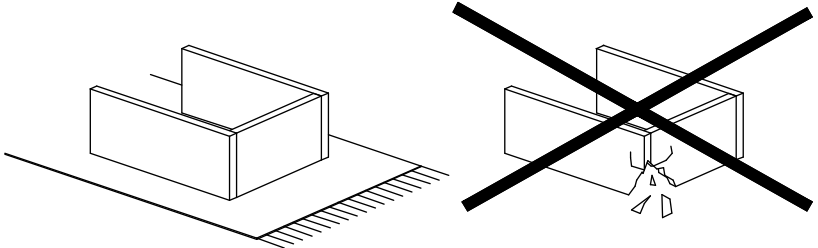
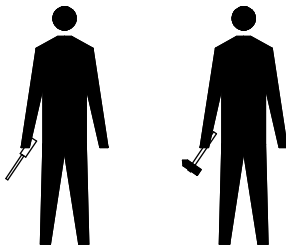


PL: INSTRUKCJA MONTAŻU
EN: ASSEMBLY MANUAL
CZ: PŘÍRUČKA PRO MONTÁŽ
SK: PRÍRUČKA PRE MONTÁŽ
DE: MONTAGEANLEITUNG
SR: UPUTSTVO ZA INSTALACIJU
NL: MONTAGE-INSTRUCTIES

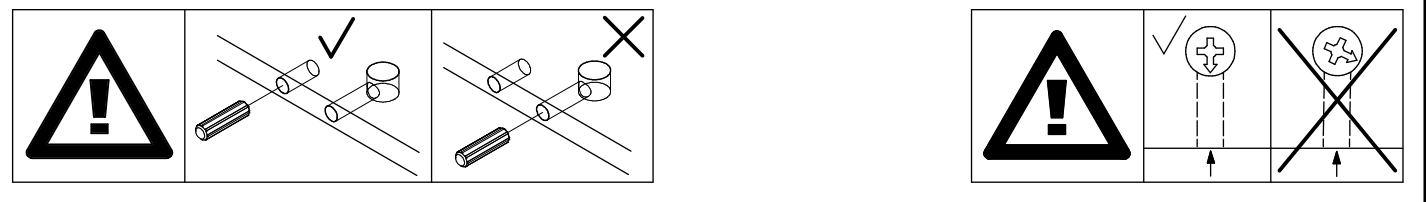
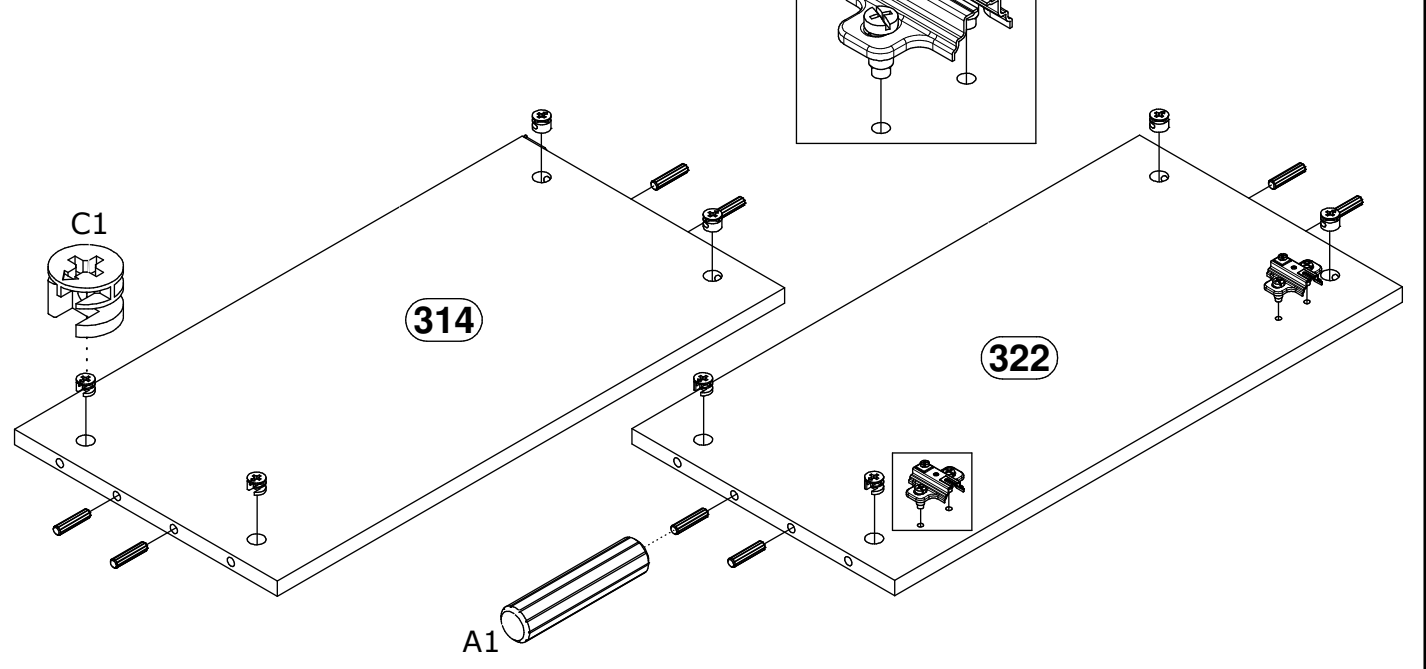
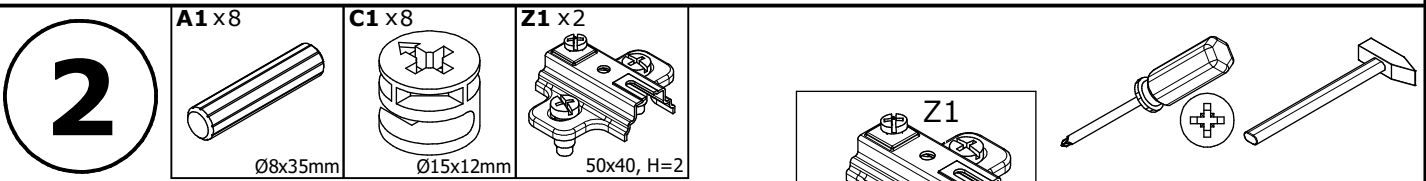
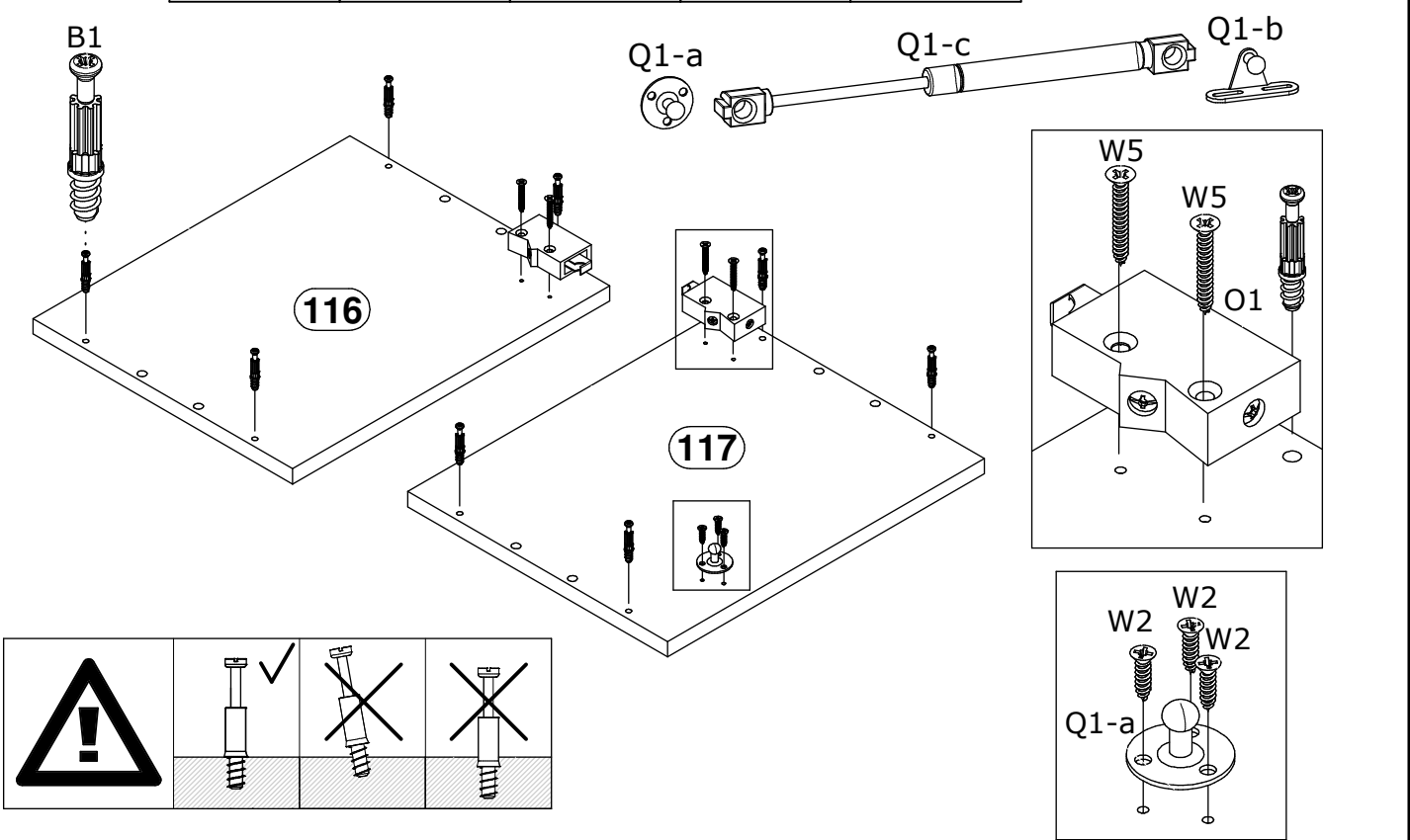
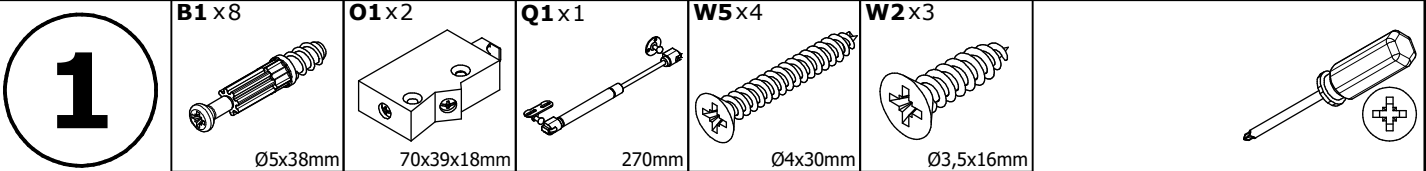
07.07.2020 - Rev. 1



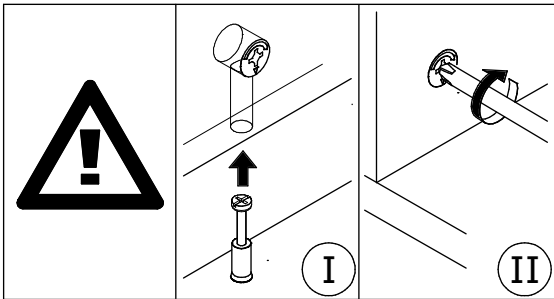
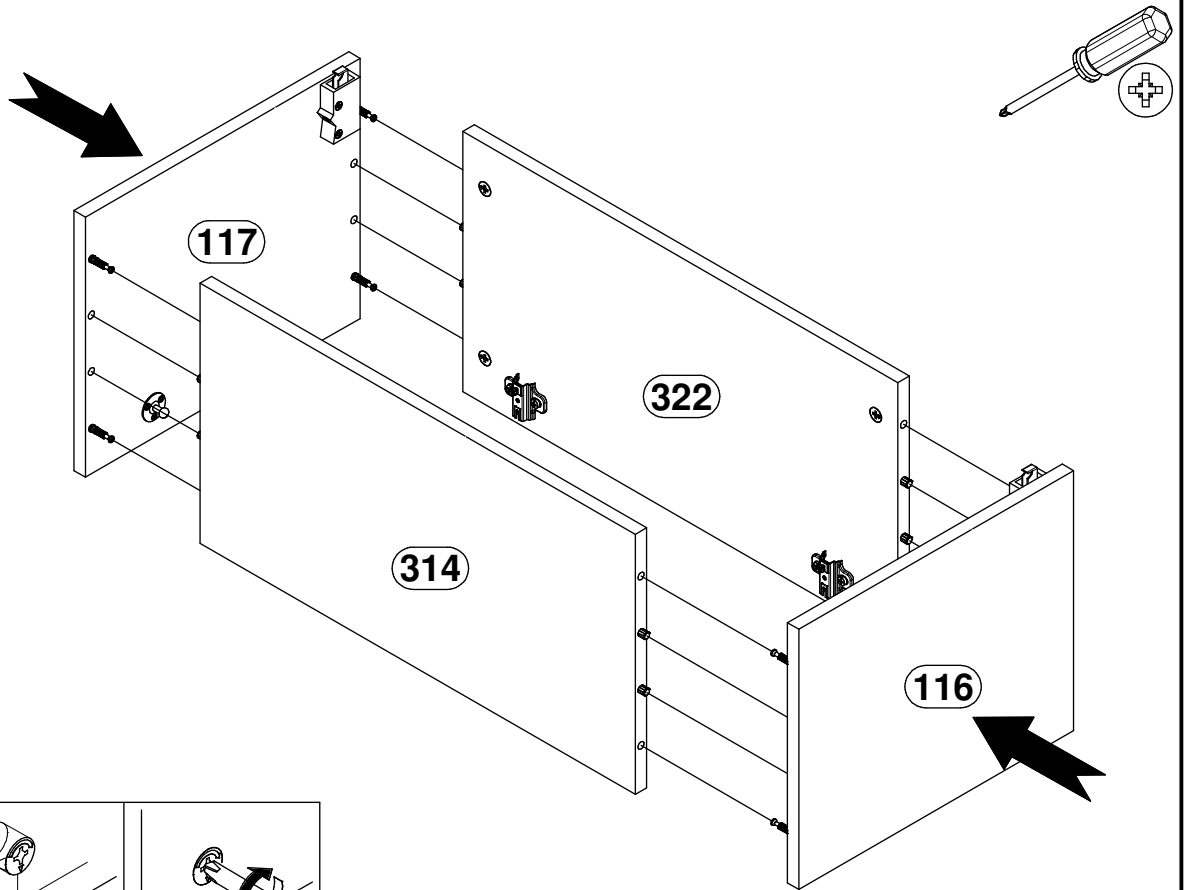
A1 x 8  $\varnothing 8 \times 35 \text{mm}$	B1 x 8  $\varnothing 5 \times 38 \text{mm}$	C1 x 8  $\varnothing 15 \times 12 \text{mm}$	G1 x 20  26mm	I15 x 2  $86 \times 16 \times 10 \text{mm}$
J10 x 8  $\varnothing 21 \text{mm}$	O1 x 2  $70 \times 39 \times 18 \text{mm}$	O5 x 2  $76 \times 32 \times 6 \text{mm}$	Q1 x 1  270mm	U19 x 1  300mm
W2 x 9  $\varnothing 3,5 \times 16 \text{mm}$	W5 x 6  $\varnothing 4 \times 30 \text{mm}$	Y1 x 2  $\varnothing 8 \times 1,5 \text{mm}$	Z1 x 2  $50 \times 40, H=2$	Z3 x 2  $\varnothing 35, ZK0$



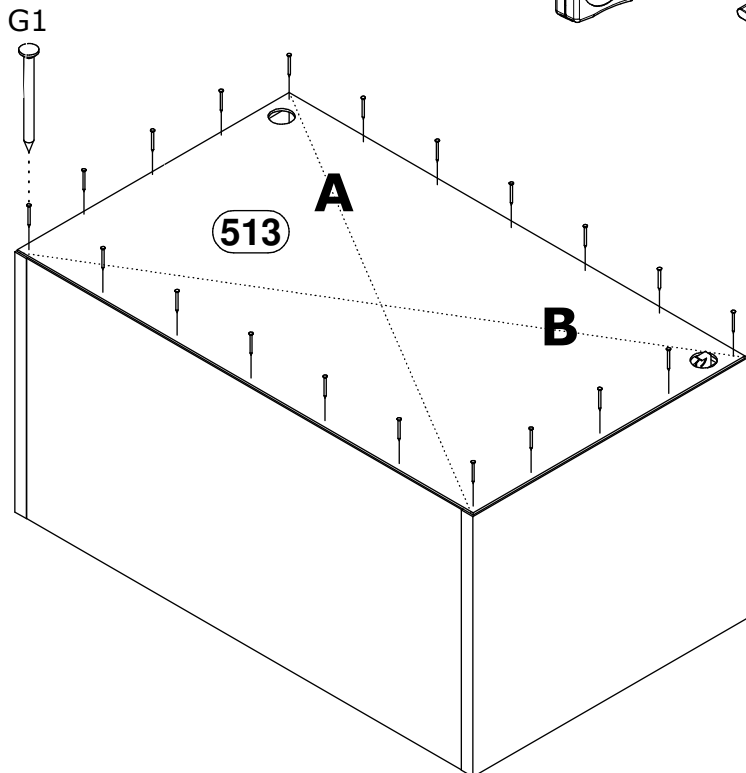
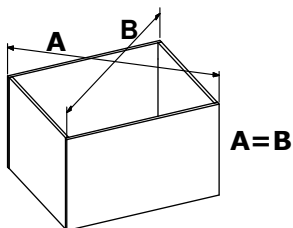
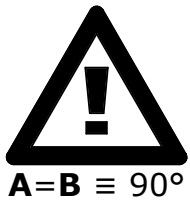
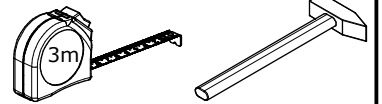
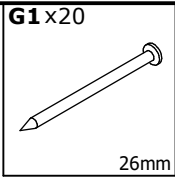
No.	L[mm]	W[mm]	H[mm]	PCS	BOX
053/054	596	355	15/18	1	2/2
116	360	295	15	1	1/2
117	360	295	15	1	1/2
314	570	295	15	1	1/2
322	570	295	15	1	1/2
513	597	356	2,5	1	1/2



3

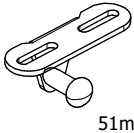


4



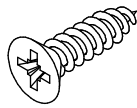
5

Q1-bx1



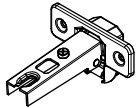
51mm

W2x6

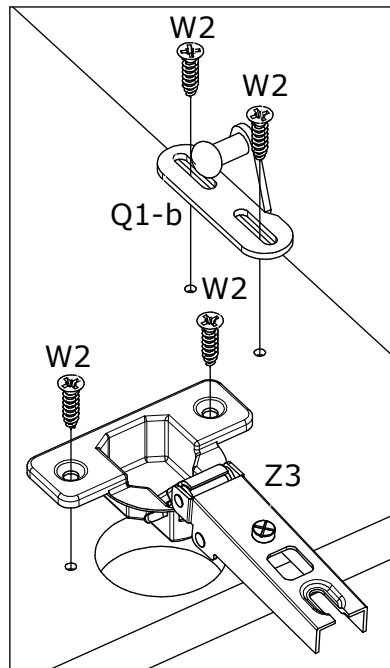
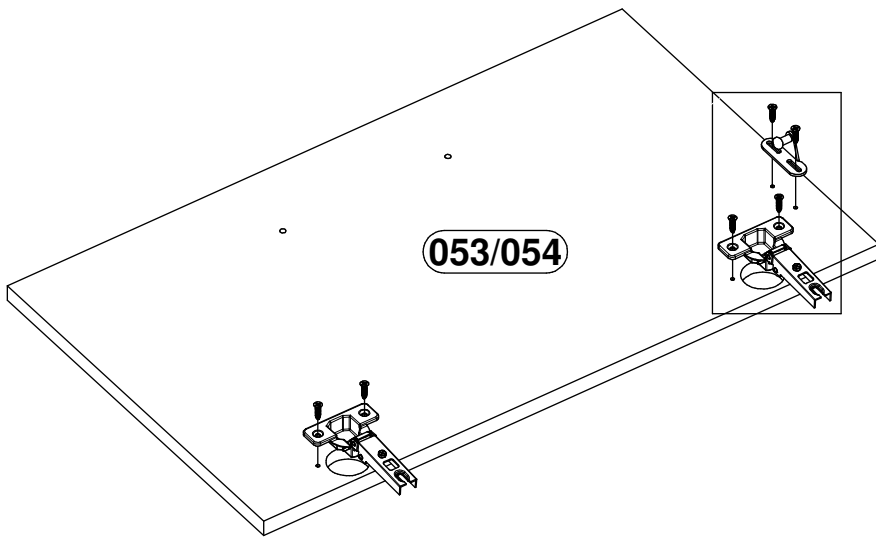
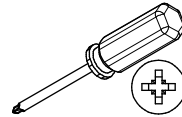


Ø3,5x16mm

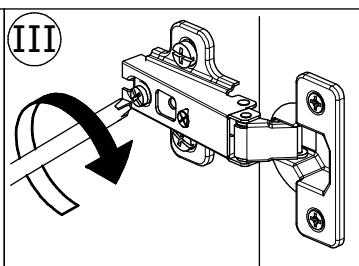
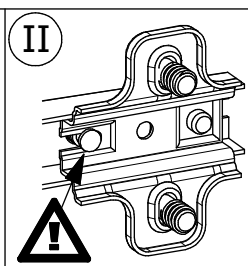
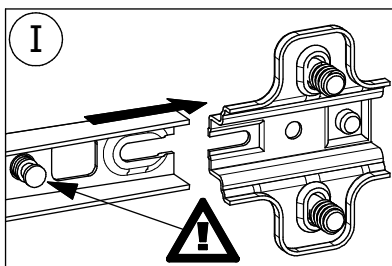
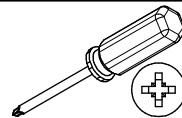
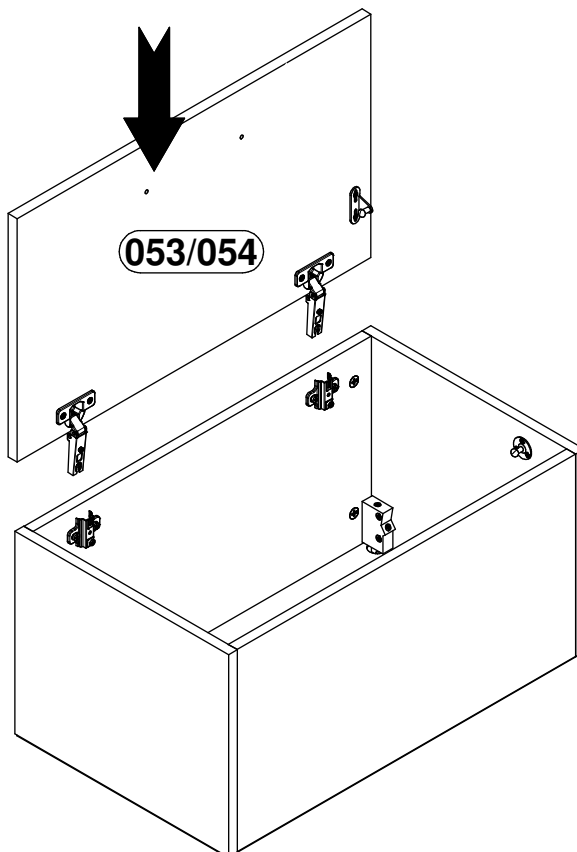
Z3 x2



Ø35, ZK0

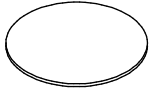


6



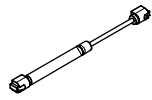
7

J10x8

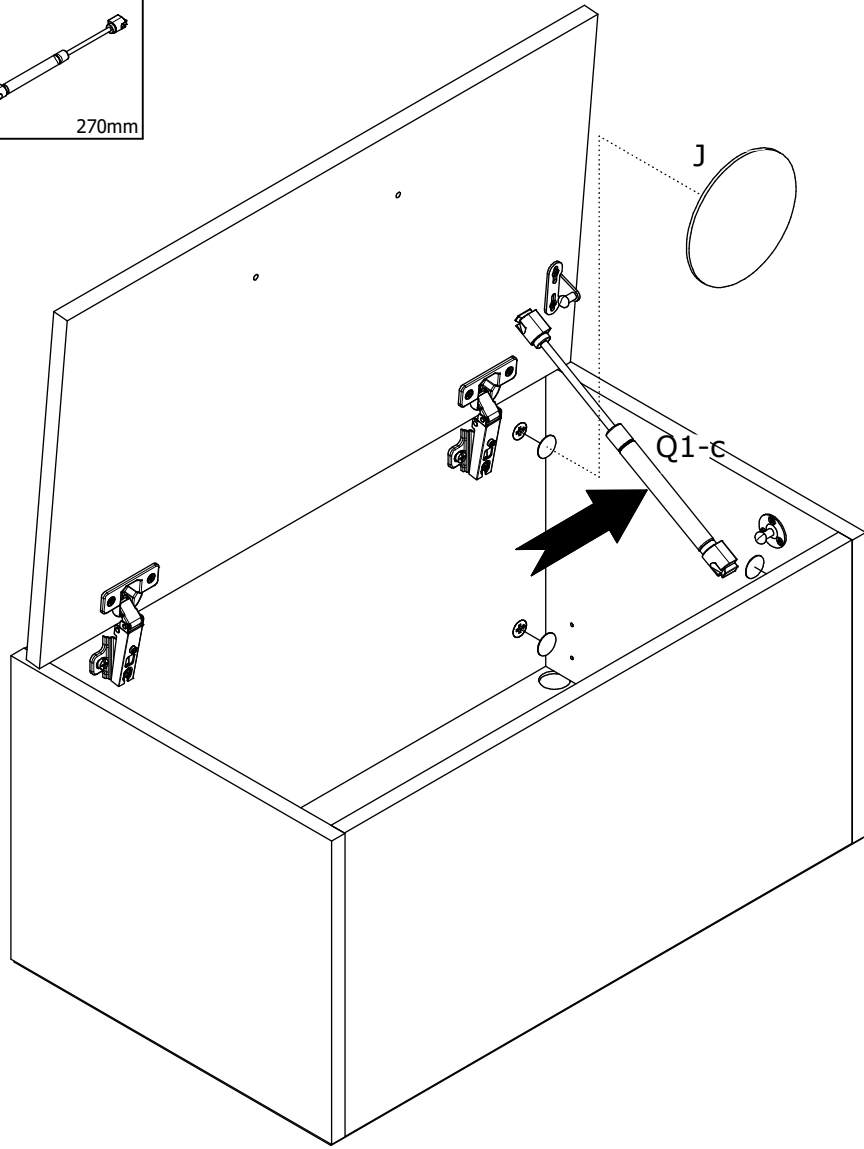
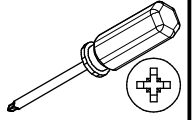


Ø21mm

Q1-cx1

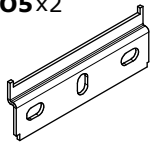


270mm

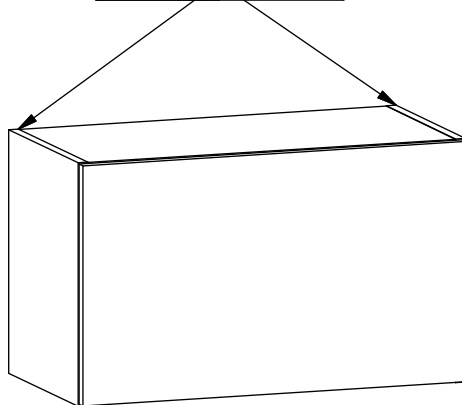
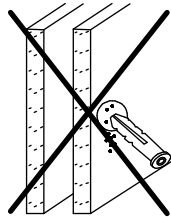
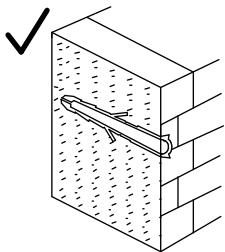
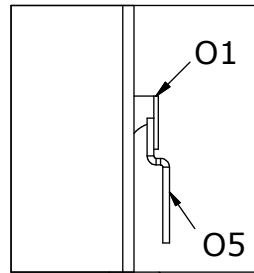
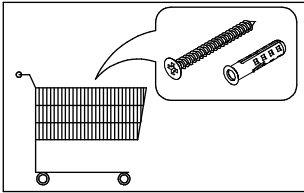
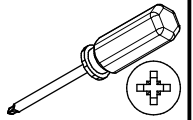


8

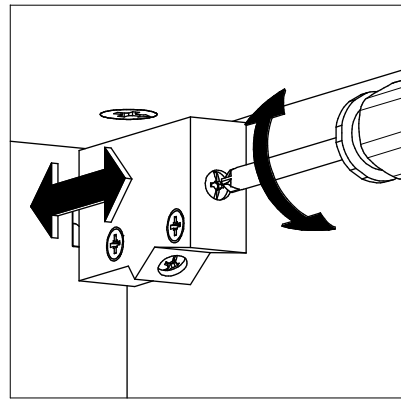
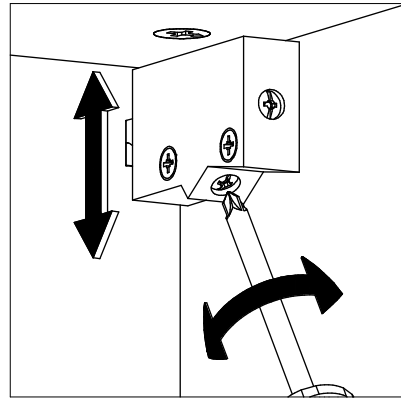
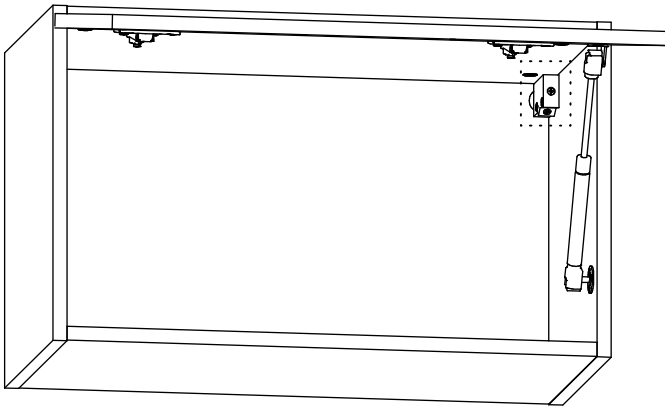
O5x2



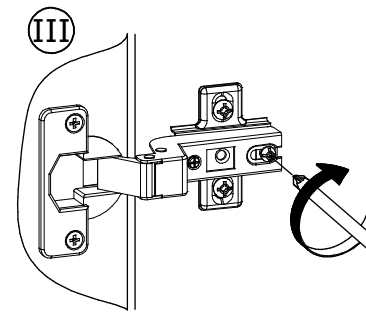
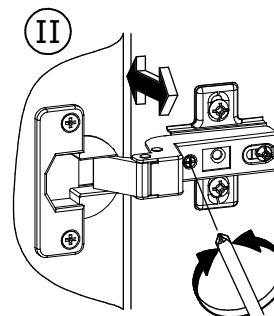
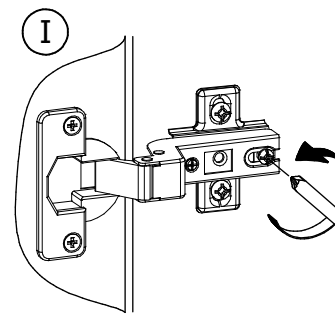
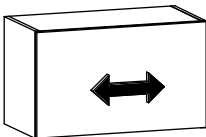
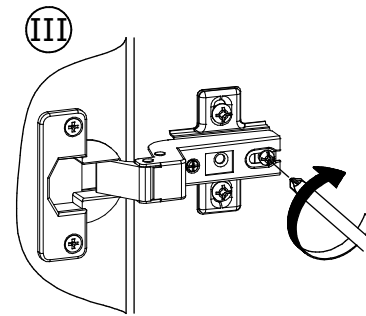
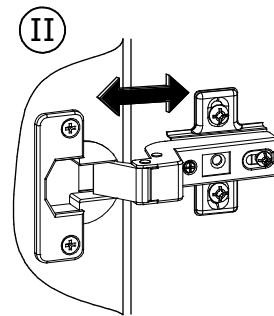
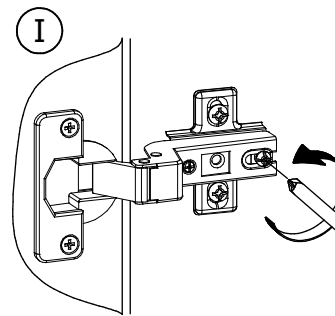
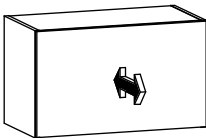
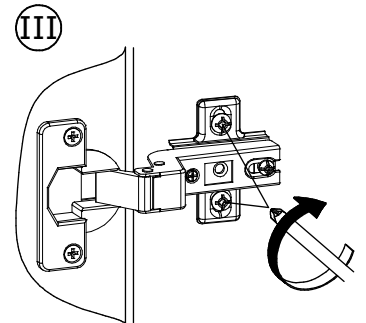
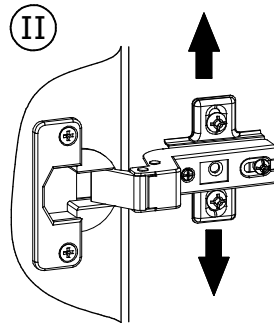
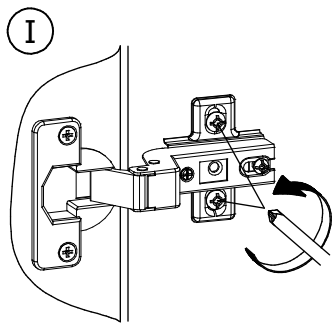
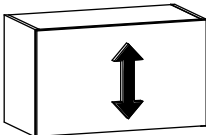
76x32x6mm



9



10



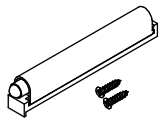
?

A

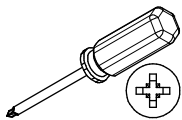
B

A

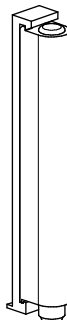
I15



86x16x10mm

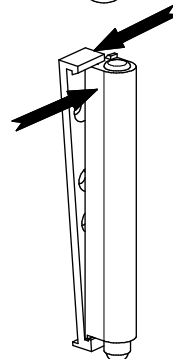


I

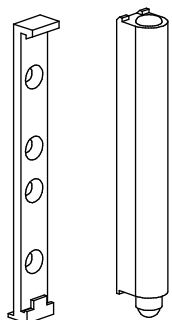


I15

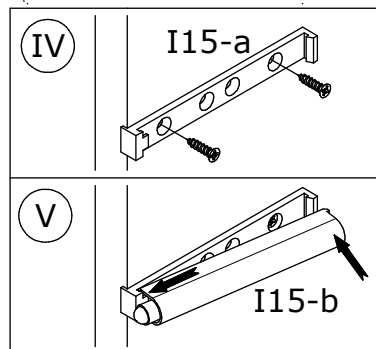
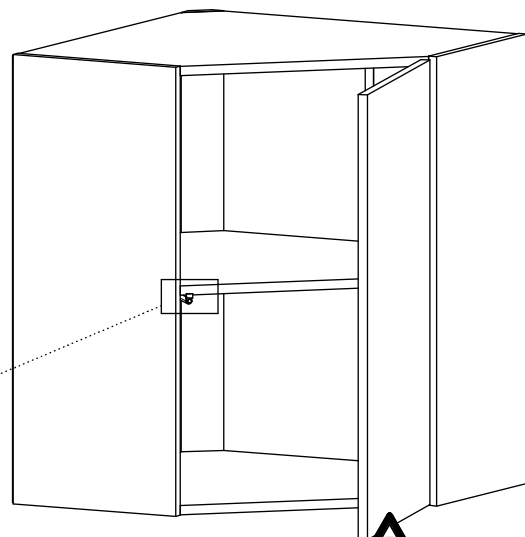
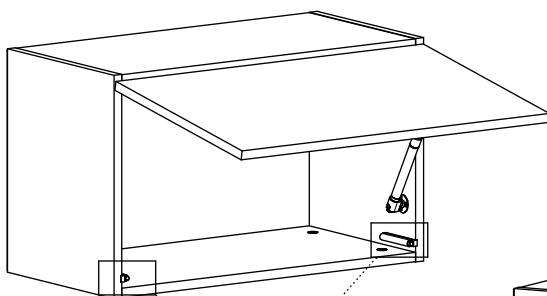
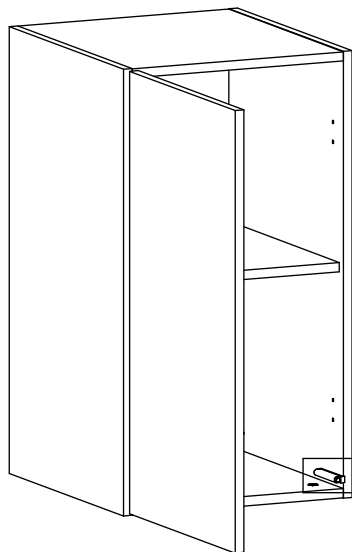
II



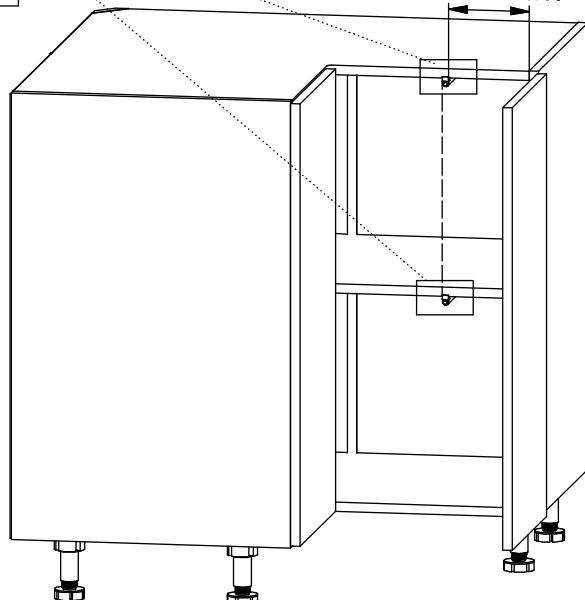
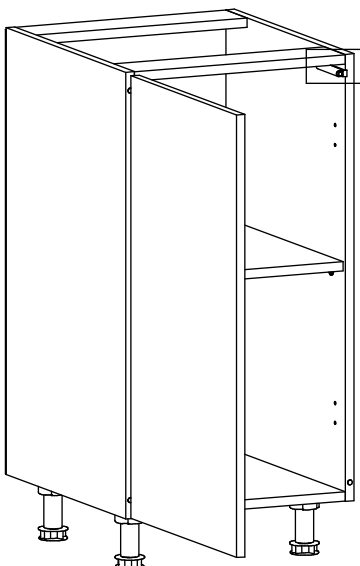
III



I15-a I15-b

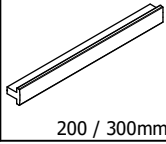


130 mm

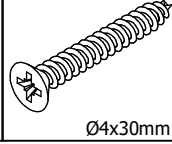


B

U18 / U19



W5



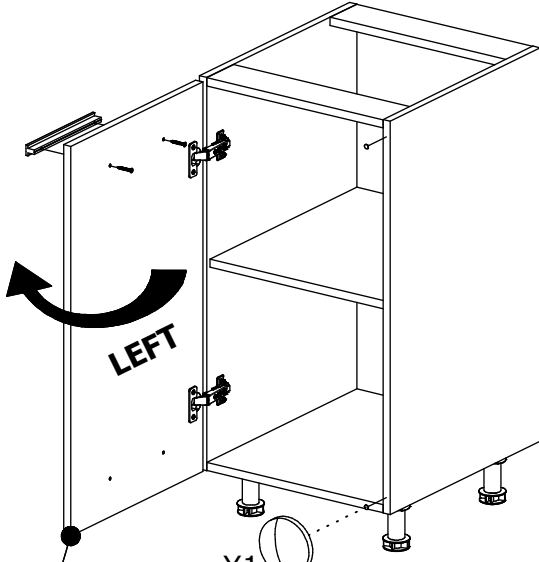
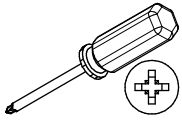
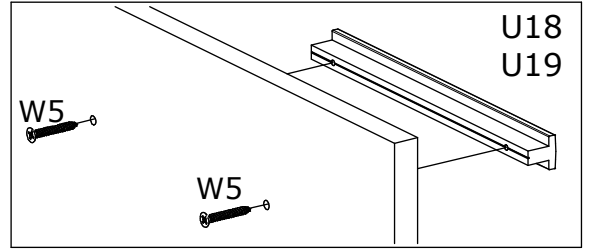
Y1



200 / 300mm

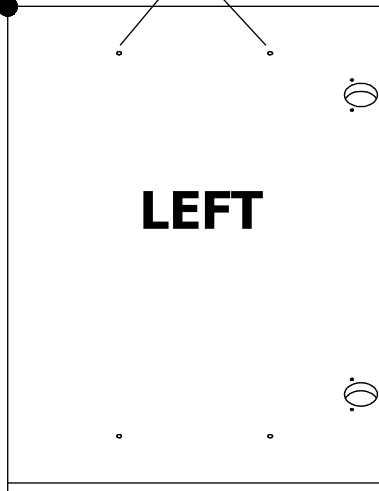
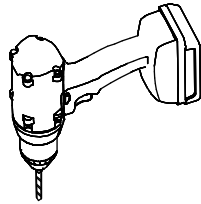
Ø4x30mm

Ø8x1,5mm

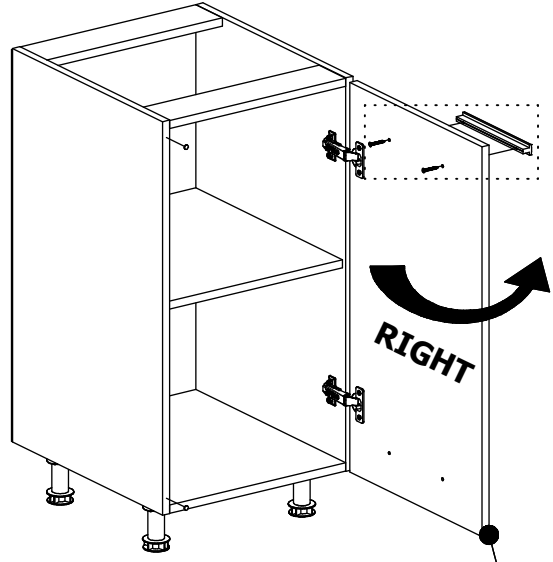


LEFT

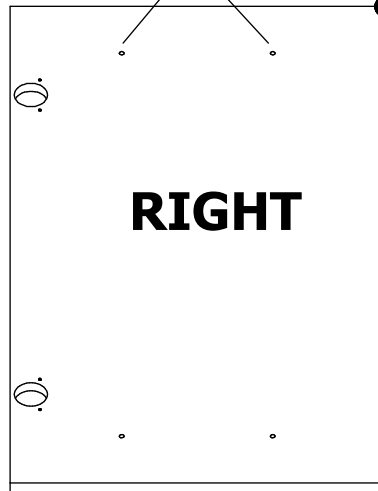
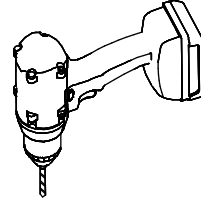
Y1



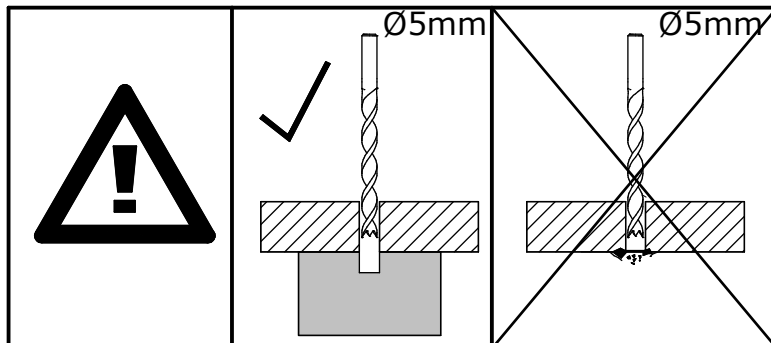
LEFT



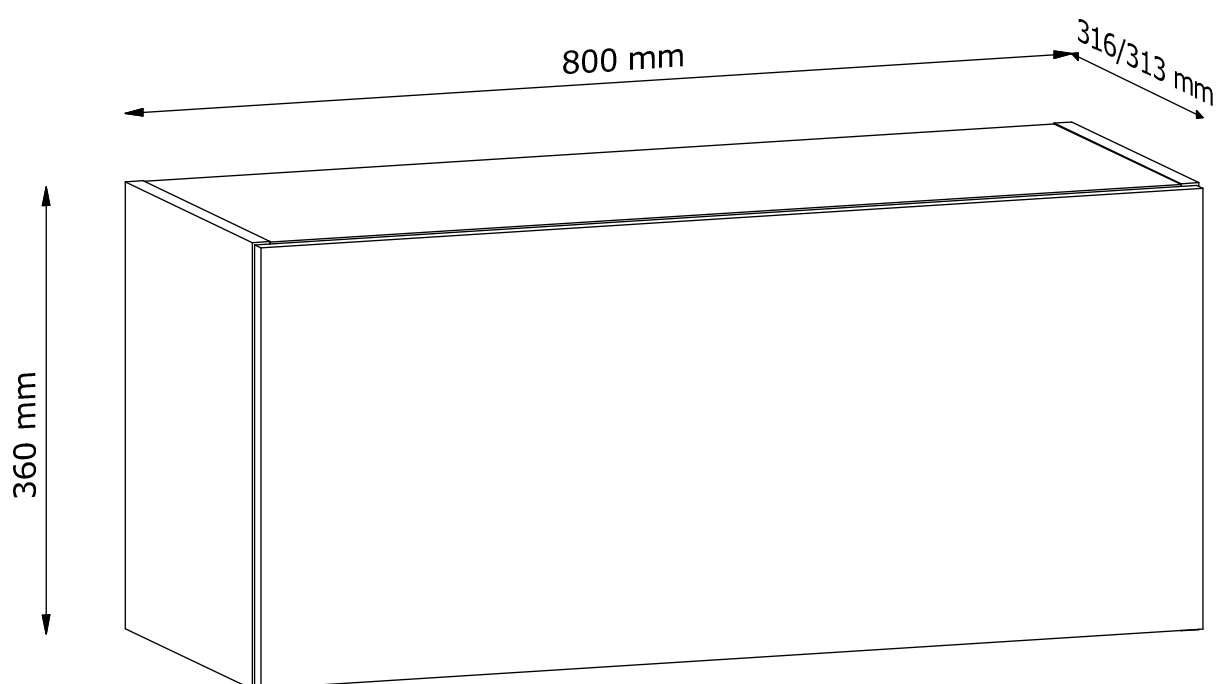
RIGHT



RIGHT

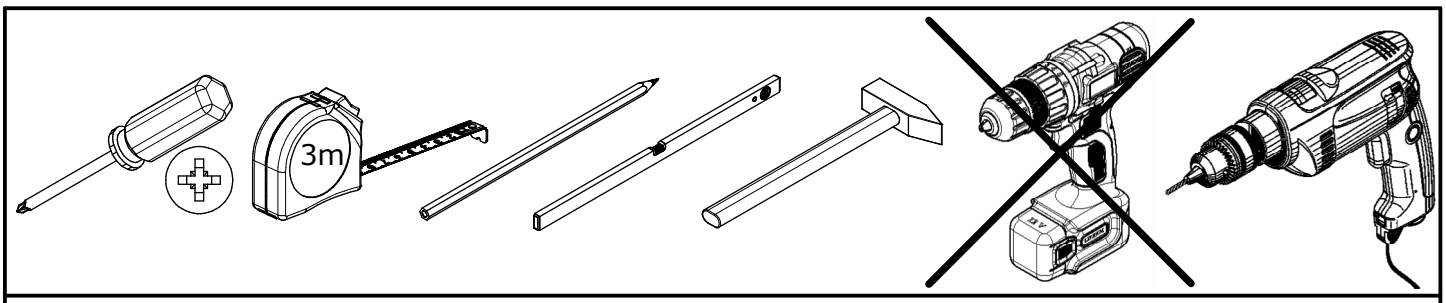


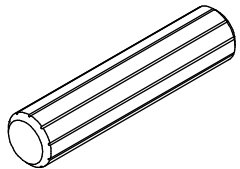
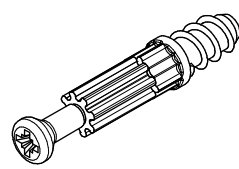
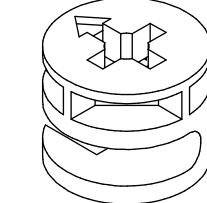
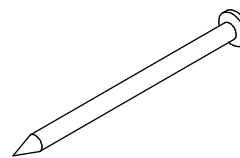
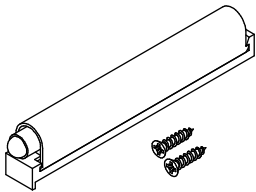
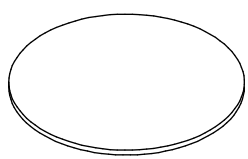
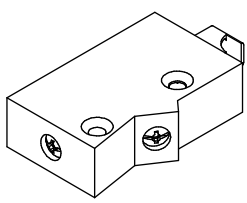
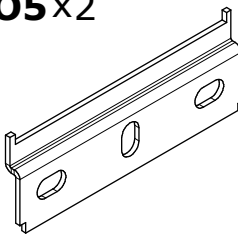
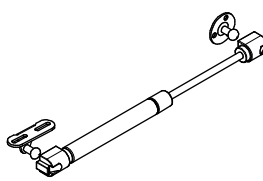
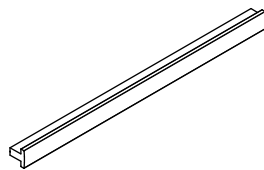
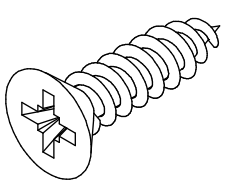
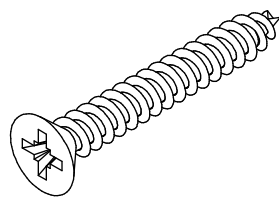

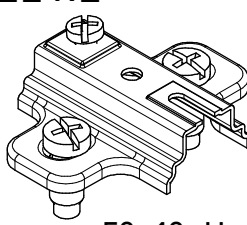
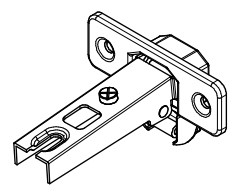
G80K

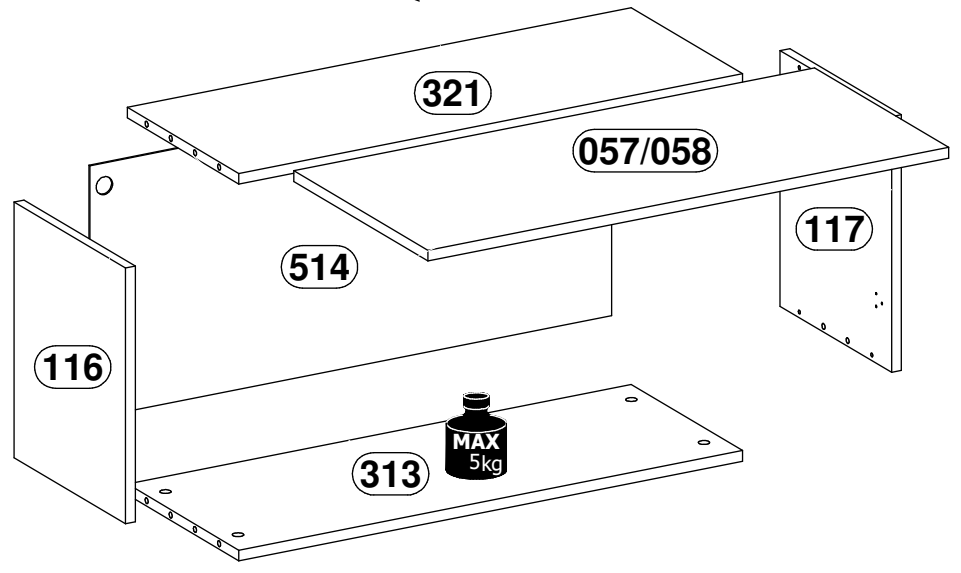
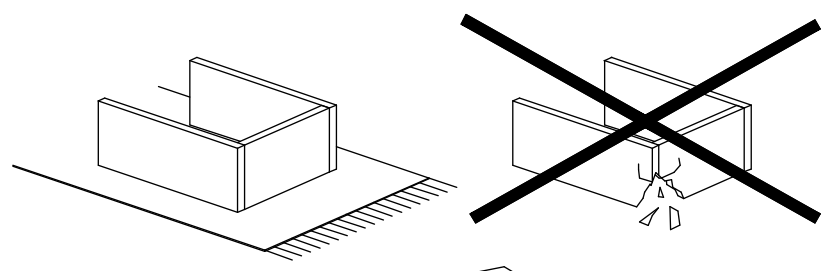
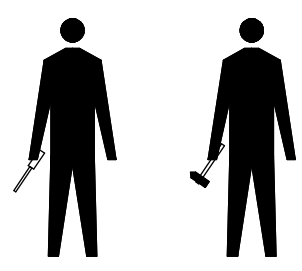


PL: INSTRUKCJA MONTAŻU
EN: ASSEMBLY MANUAL
CZ: PŘÍRUČKA PRO MONTÁŽ
SK: PRÍRUČKA PRE MONTÁŽ
DE: MONTAGEANLEITUNG
SR: UPUTSTVO ZA INSTALACIJU
NL: MONTAGE-INSTRUCTIES

07.07.2020 - Rev. 1



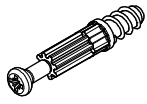
A1 x 8  $\varnothing 8 \times 35 \text{mm}$	B1 x 8  $\varnothing 5 \times 38 \text{mm}$	C1 x 8  $\varnothing 15 \times 12 \text{mm}$	G1 x 24  26mm	I15 x 2  $86 \times 16 \times 10 \text{mm}$
J10 x 8  $\varnothing 21 \text{mm}$	O1 x 2  $70 \times 39 \times 18 \text{mm}$	O5 x 2  $76 \times 32 \times 6 \text{mm}$	Q1 x 1  270mm	U19 x 1  300mm
W2 x 9  $\varnothing 3,5 \times 16 \text{mm}$	W5 x 6  $\varnothing 4 \times 30 \text{mm}$	Y1 x 2  $\varnothing 8 \times 1,5 \text{mm}$	Z1 x 2  $50 \times 40, H=2$	Z3 x 2  $\varnothing 35, ZK0$



No.	L[mm]	W[mm]	H[mm]	PCS	BOX
057/058	796	355	15/18	1	2/2
116	360	295	15	1	1/2
117	360	295	15	1	1/2
313	770	295	15	1	1/2
321	770	295	15	1	1/2
514	797	356	2,5	1	1/2

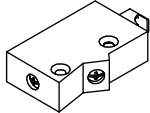
1

B1 x8



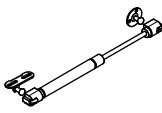
Ø5x38mm

O1 x2



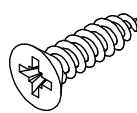
70x39x18mm

Q1 x1



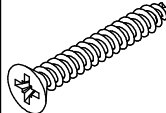
270mm

W2 x3

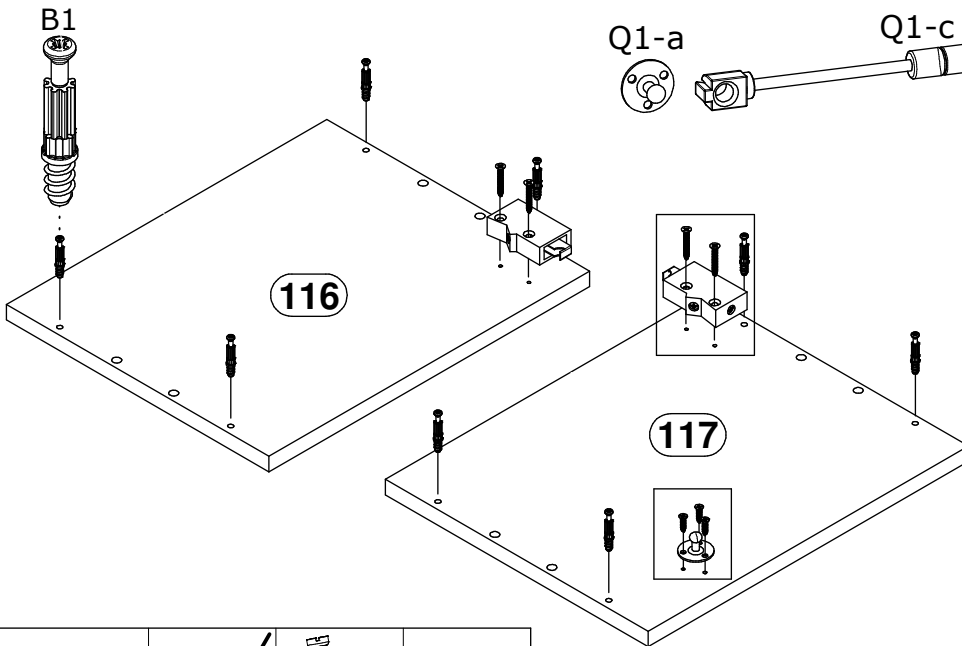
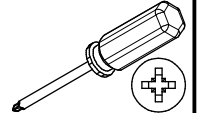


Ø3,5x16mm

W5 x4



Ø4x30mm



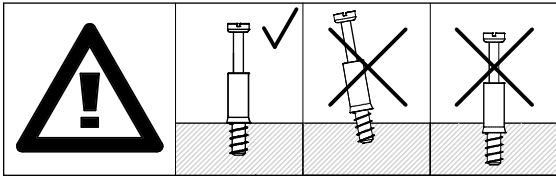
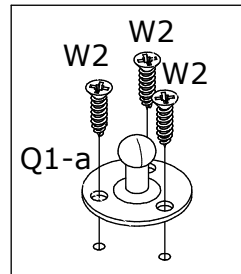
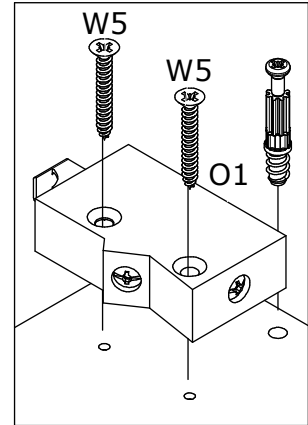
Q1-a



Q1-c

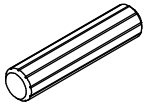


Q1-b



2

A1 x8



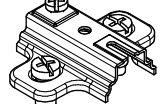
Ø8x35mm

C1 x8

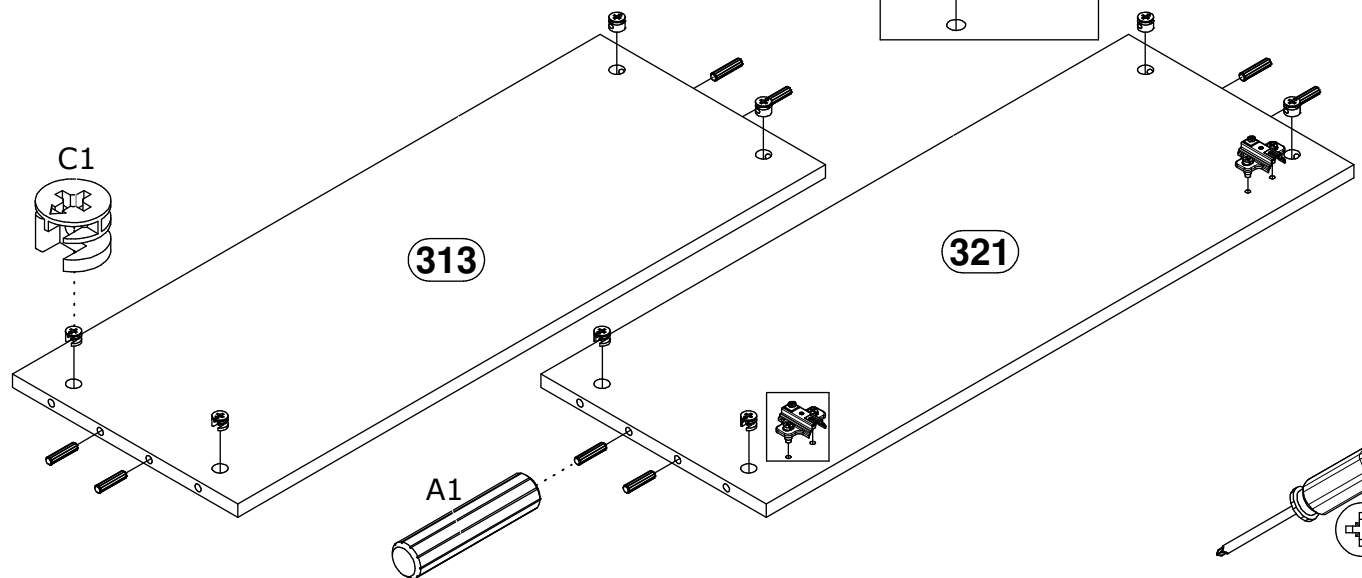
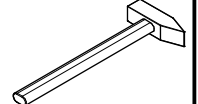
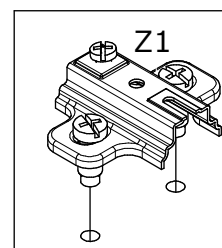


Ø15x12mm

Z1 x2



50x40, H=2

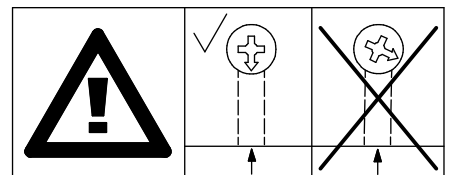
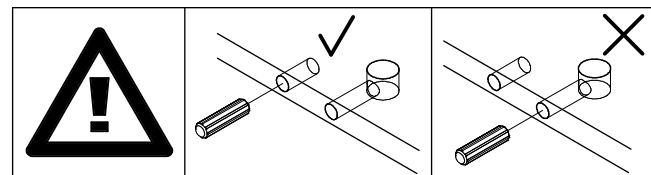
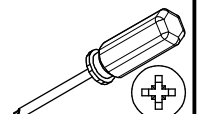


C1

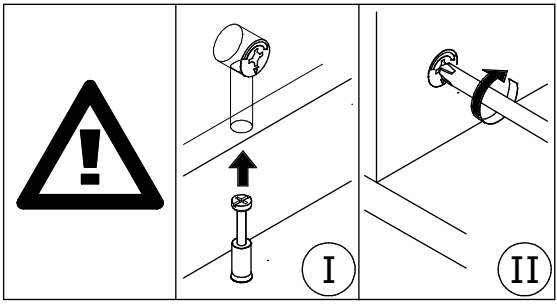
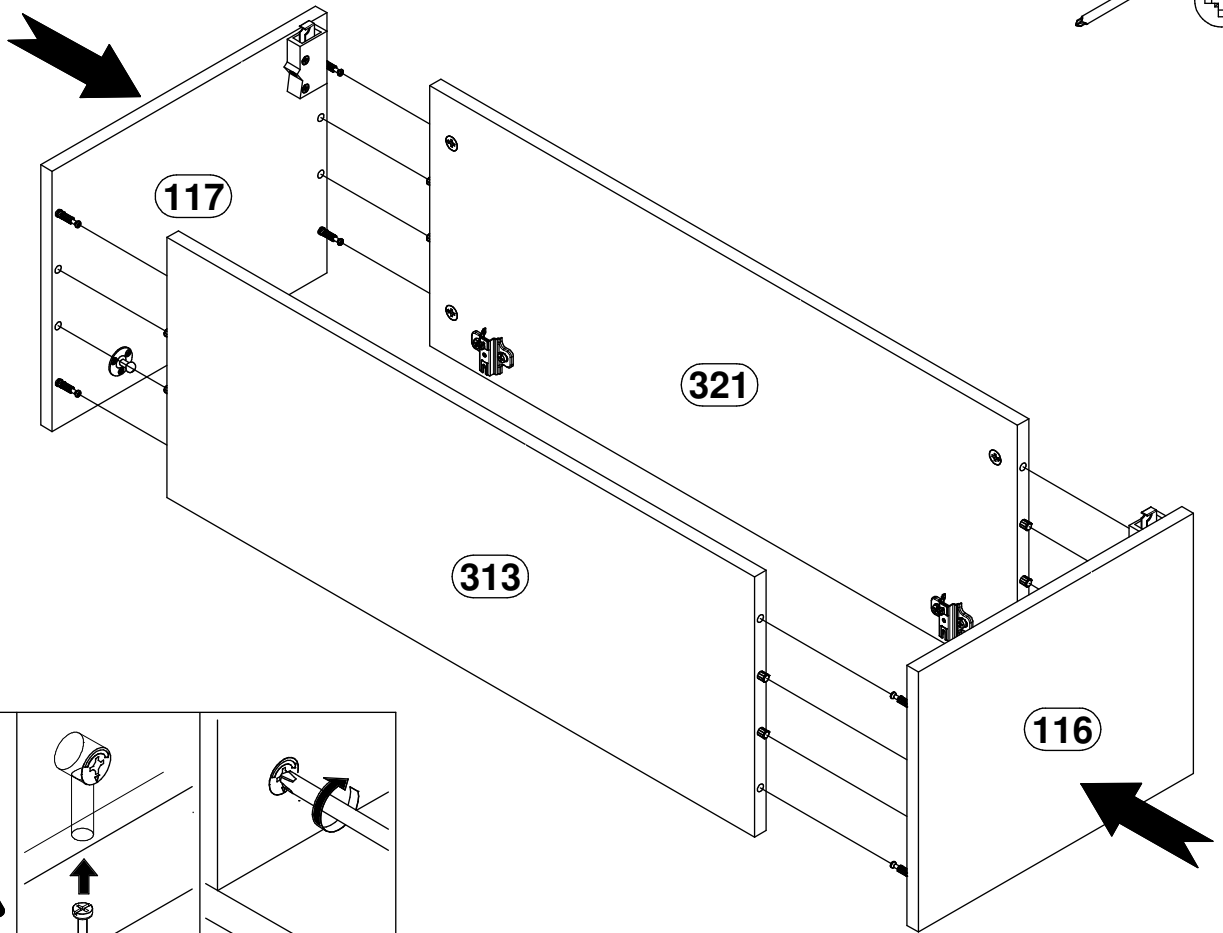
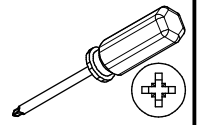
313

321

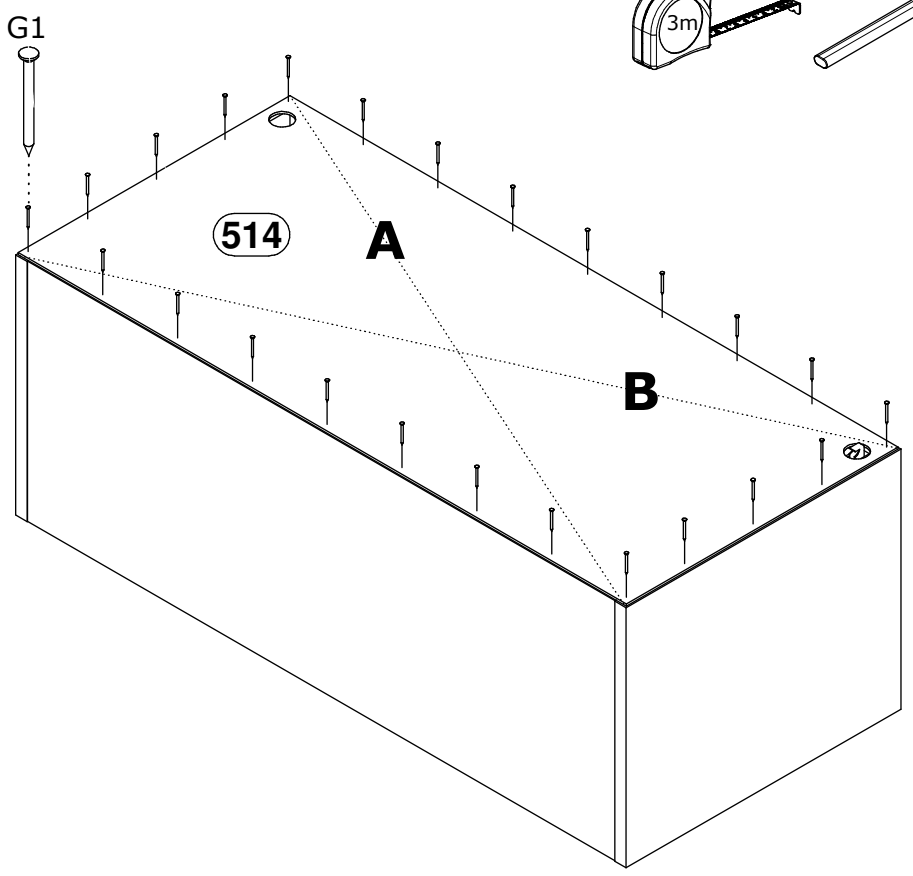
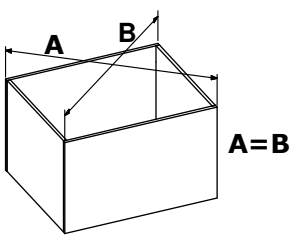
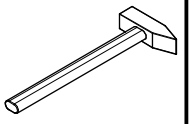
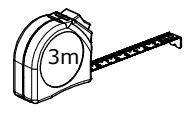
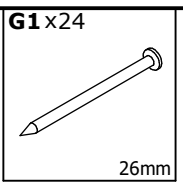
A1



3

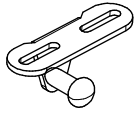


4



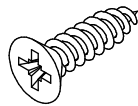
5

Q1-bx1



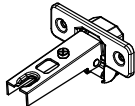
51mm

W2x6

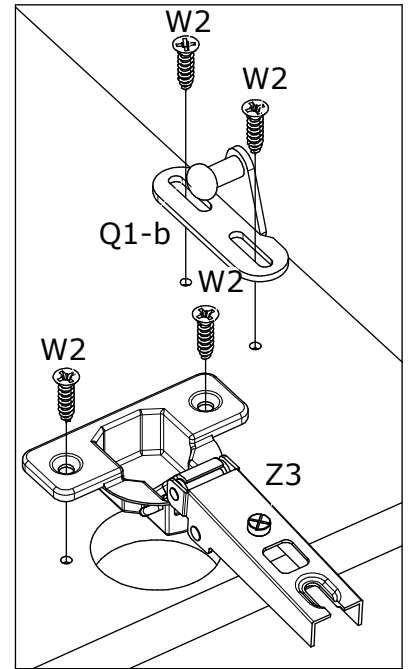
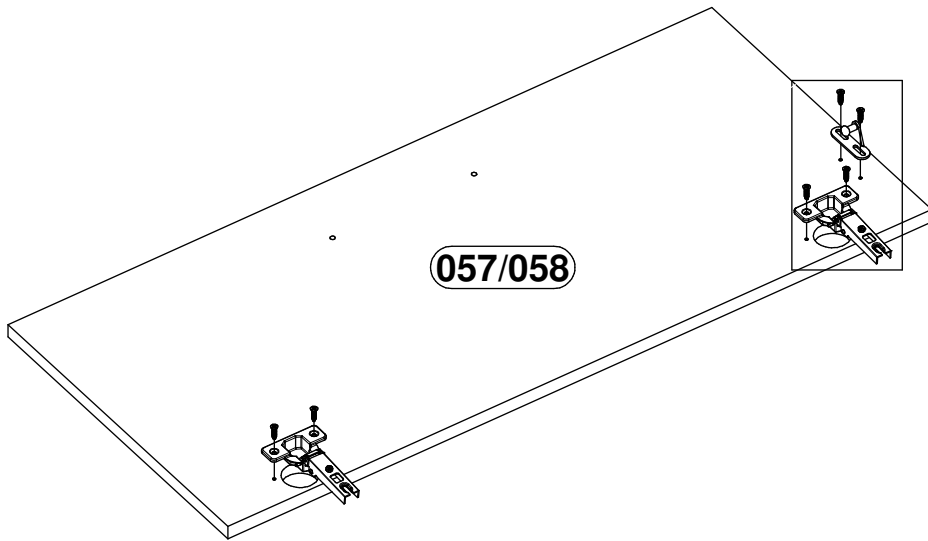
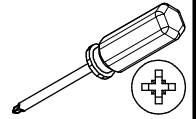


Ø3,5x16mm

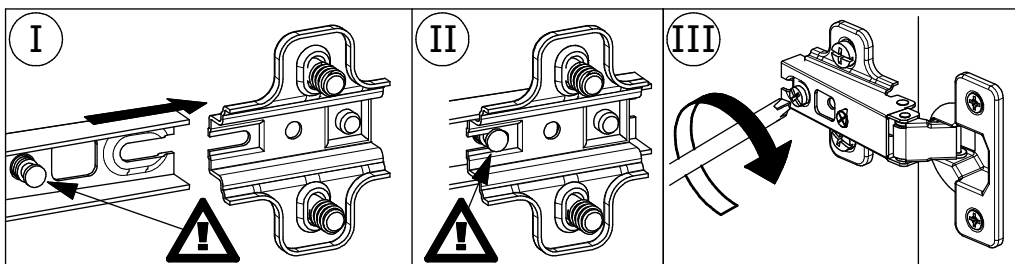
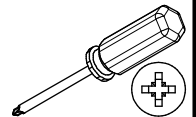
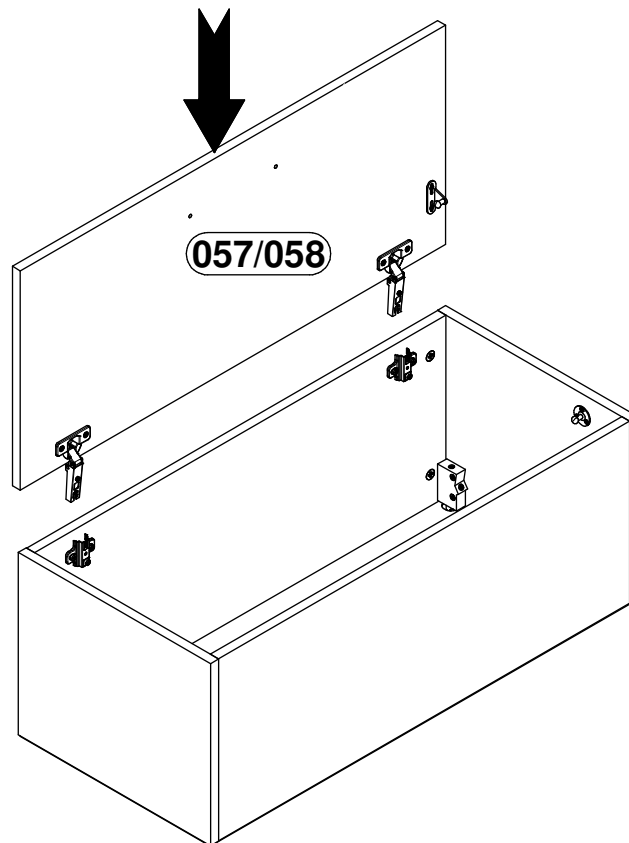
Z3 x2



Ø35, ZK0

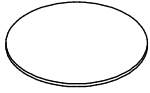


6



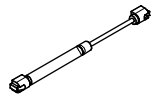
7

J10x8

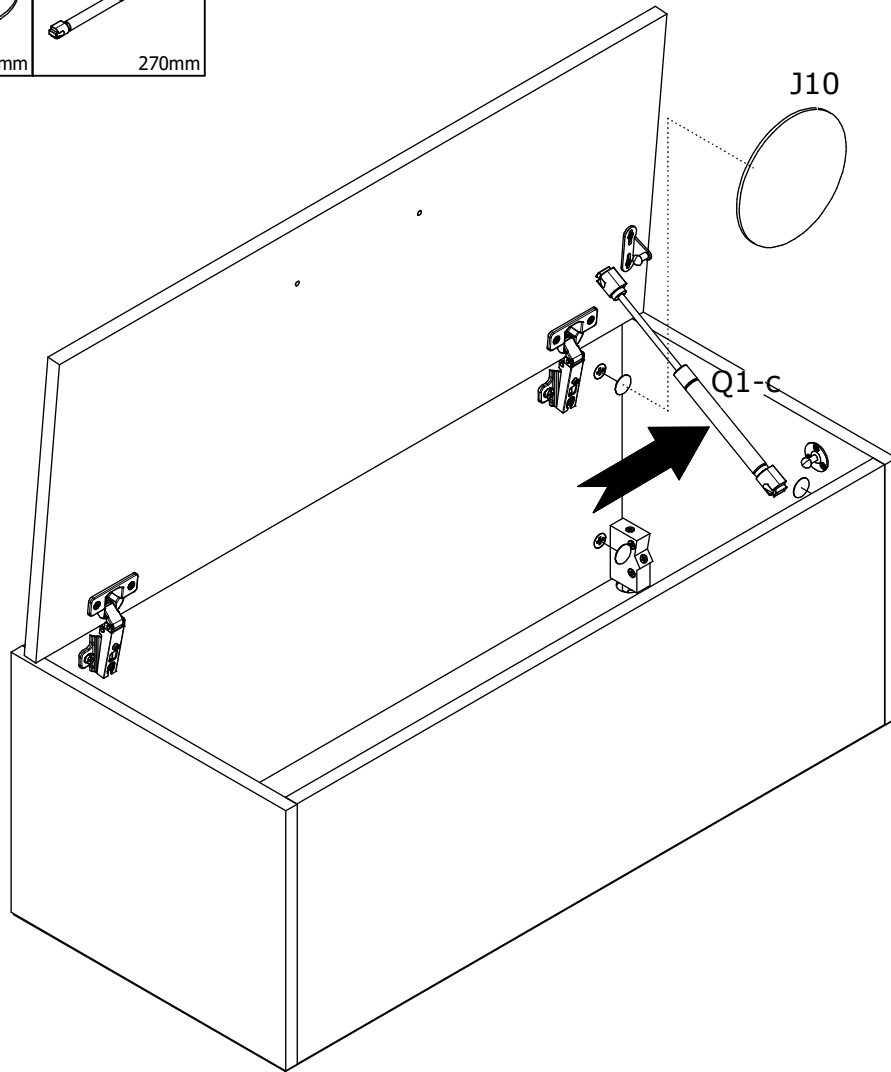
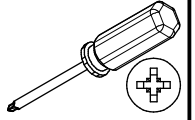


Ø21mm

Q1-cx1

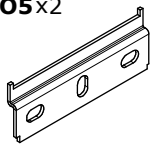


270mm

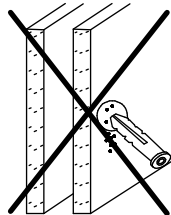
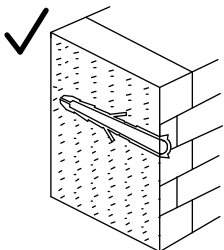
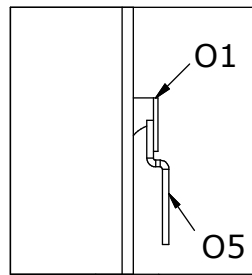
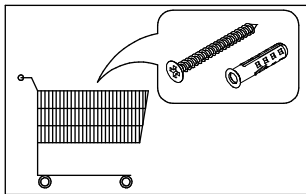
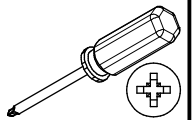


8

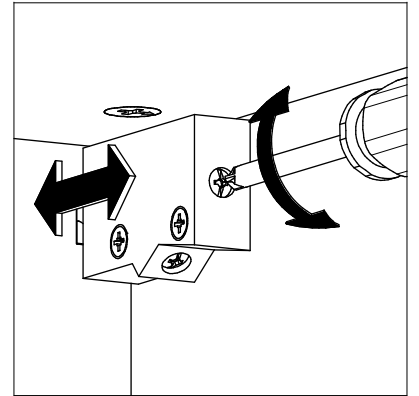
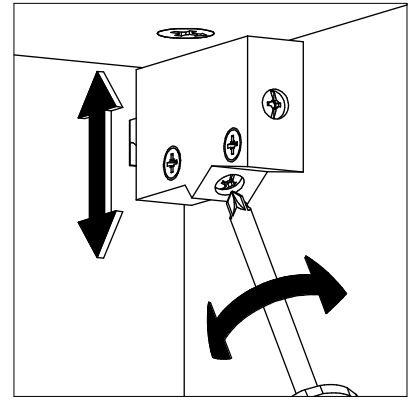
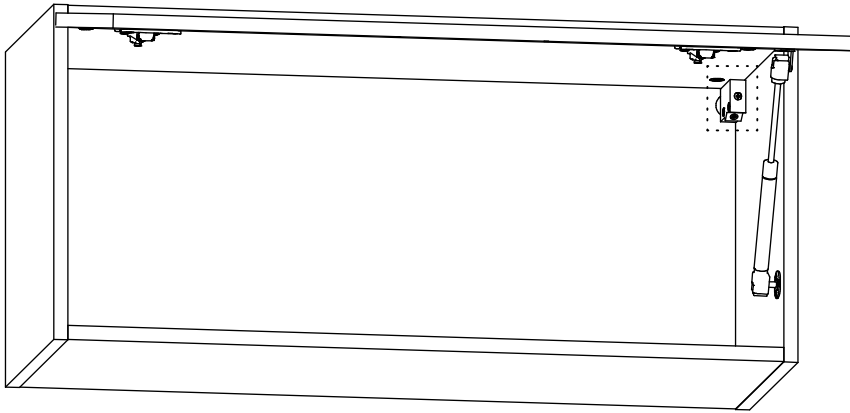
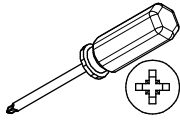
O5x2



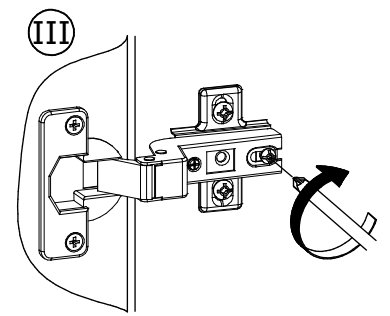
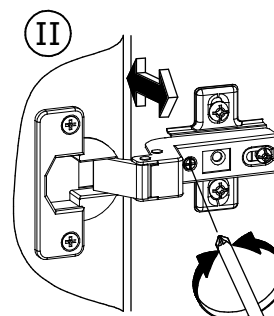
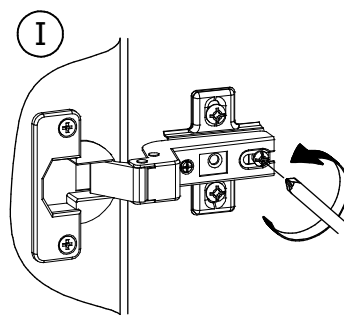
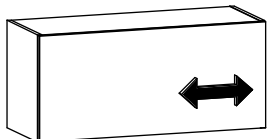
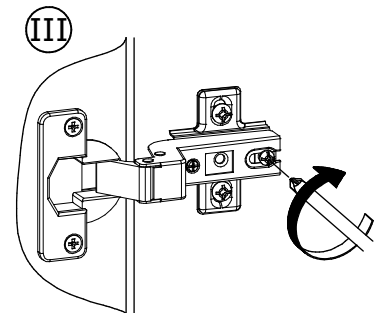
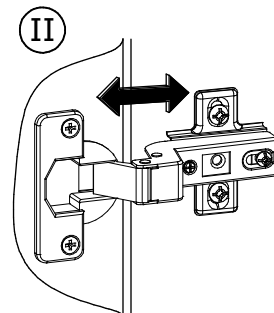
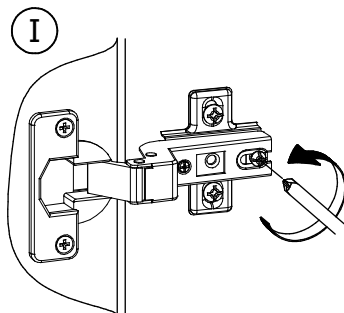
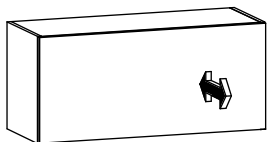
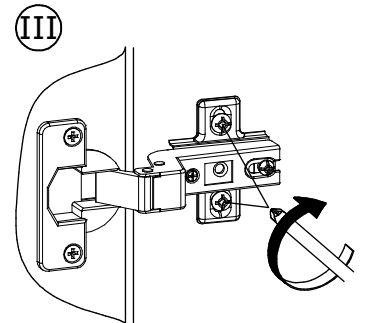
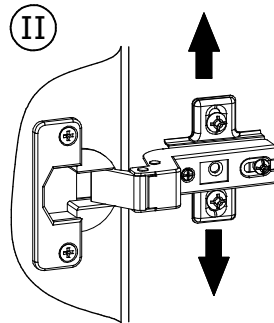
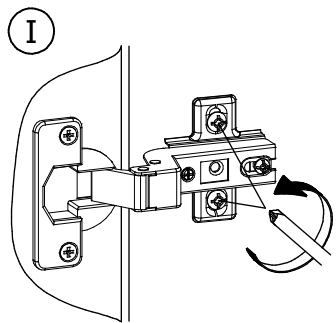
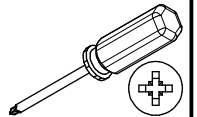
76x32x6mm



9



10



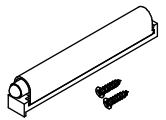
?

A

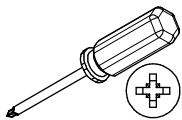
B

A

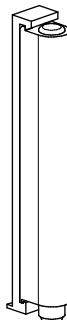
I15



86x16x10mm

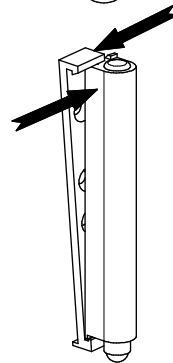


I

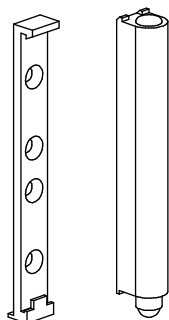


I15

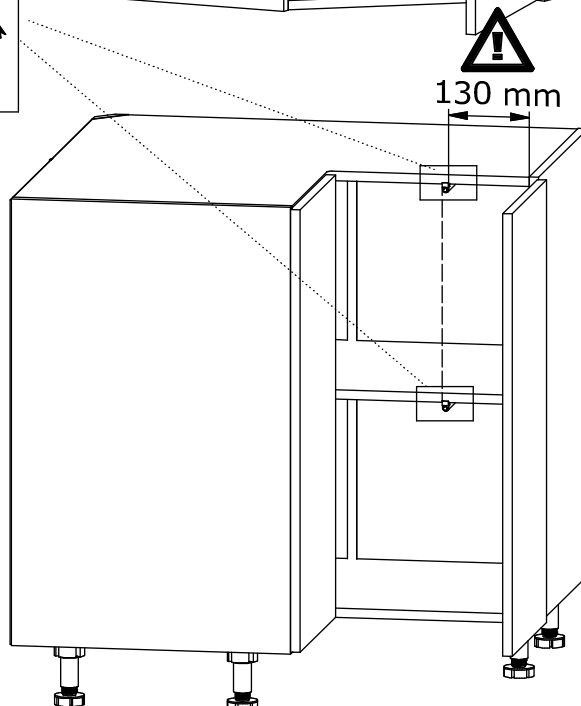
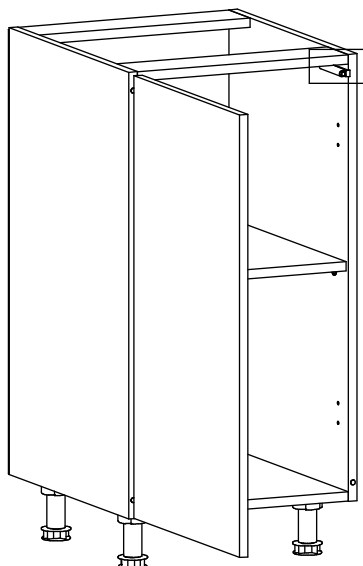
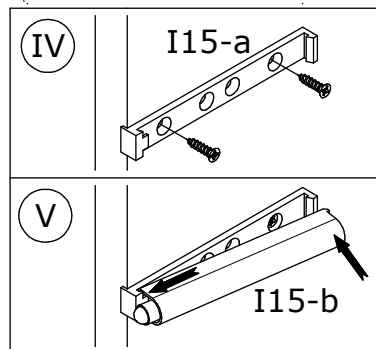
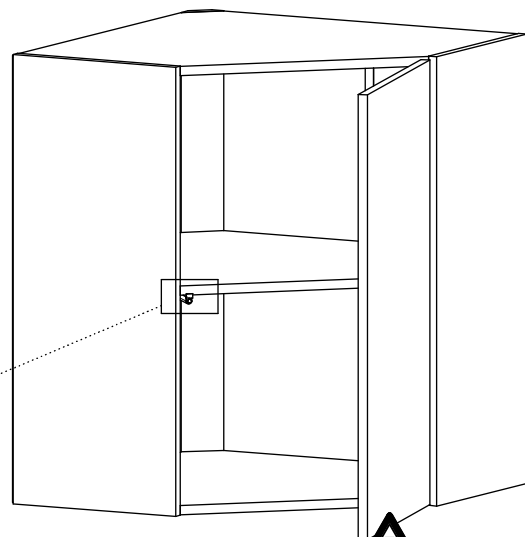
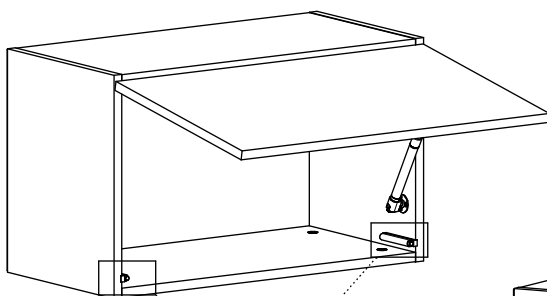
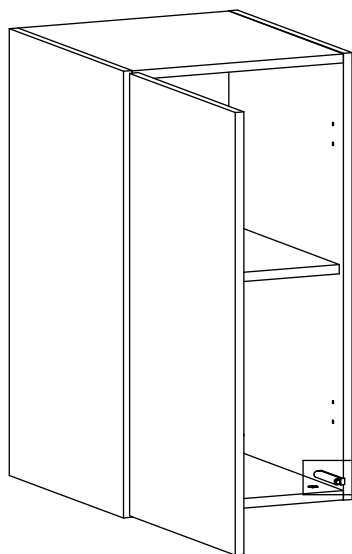
II



III



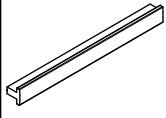
I15-a I15-b



130 mm

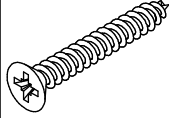
B

U18 / U19



200 / 300mm

W5

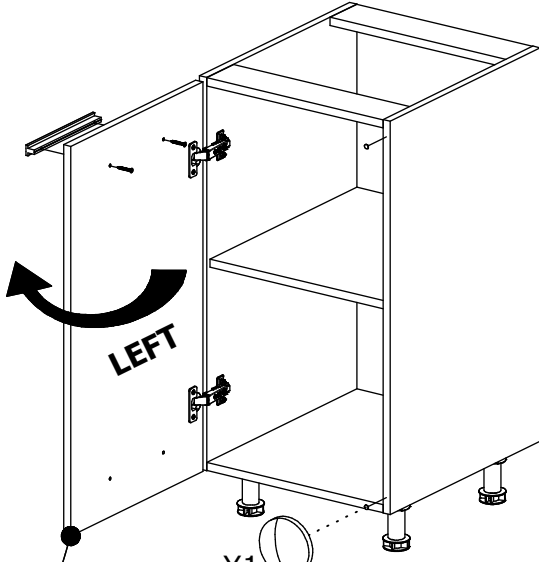
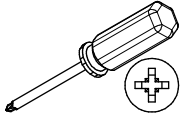
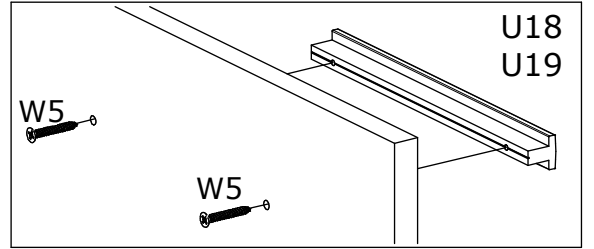


Ø4x30mm

Y1

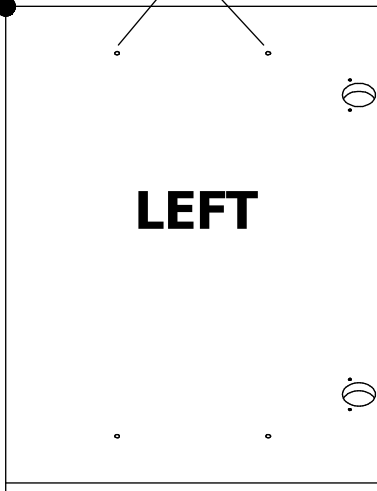
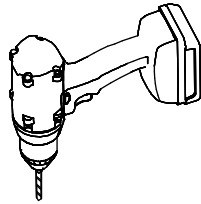


Ø8x1,5mm

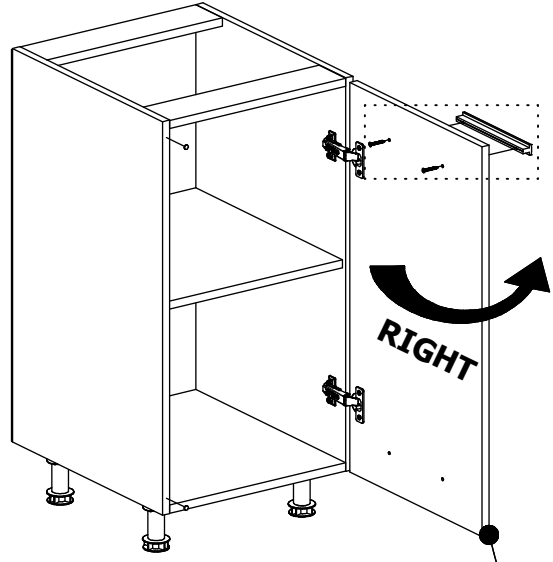


LEFT

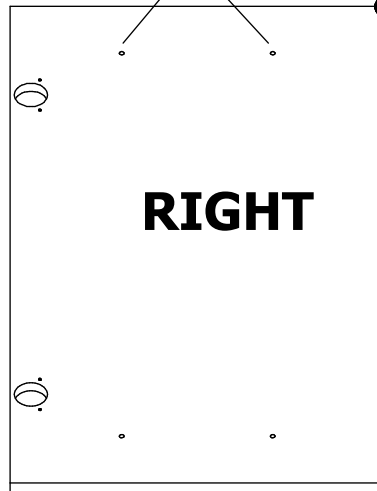
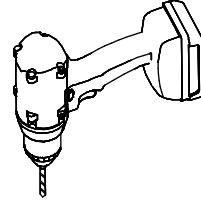
Y1



LEFT



RIGHT



RIGHT

