
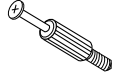
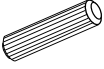

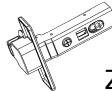
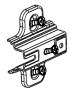


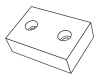



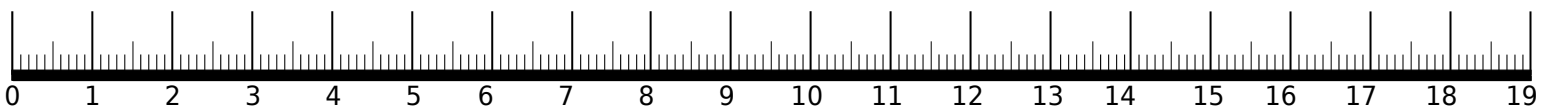
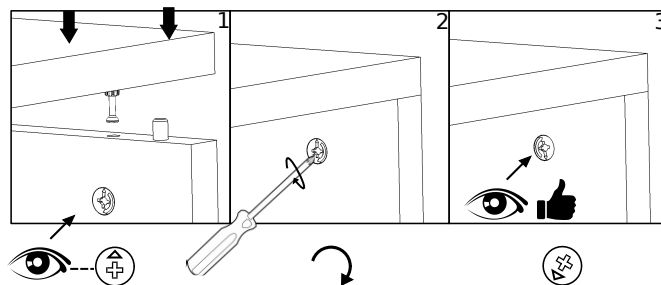
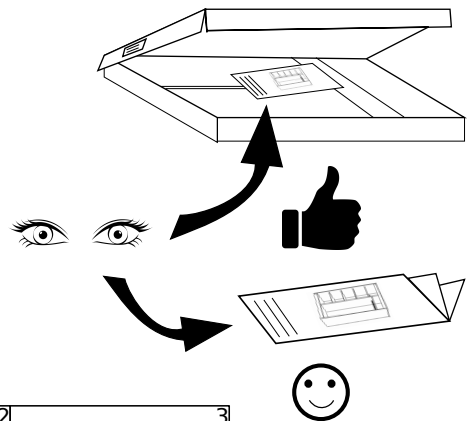
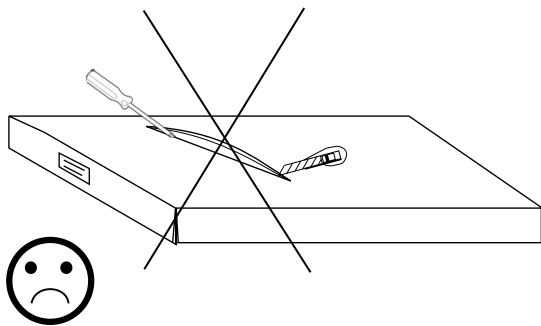
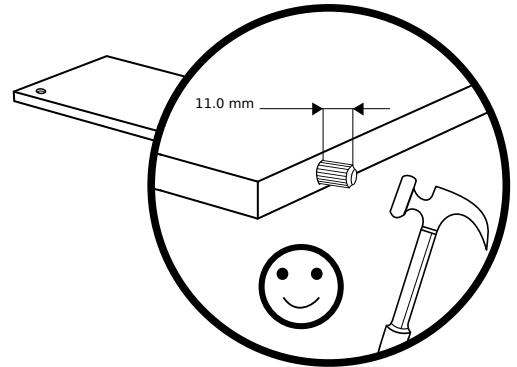
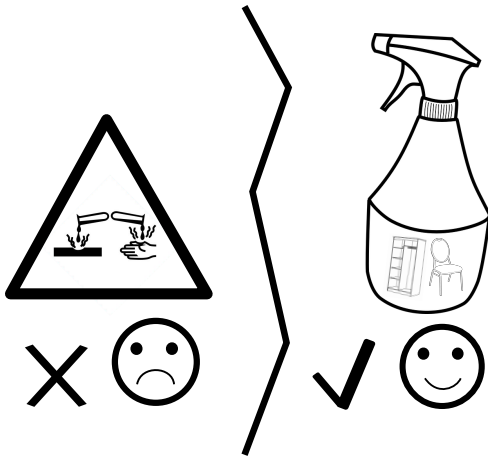
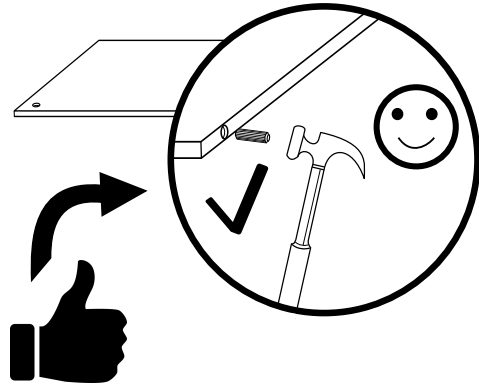
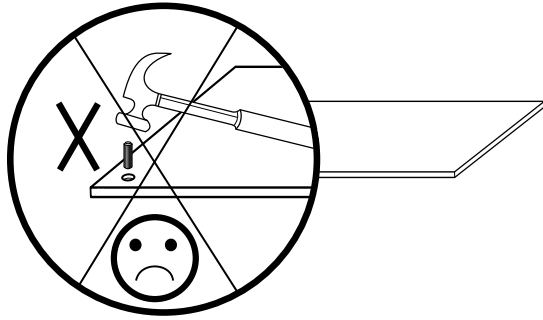
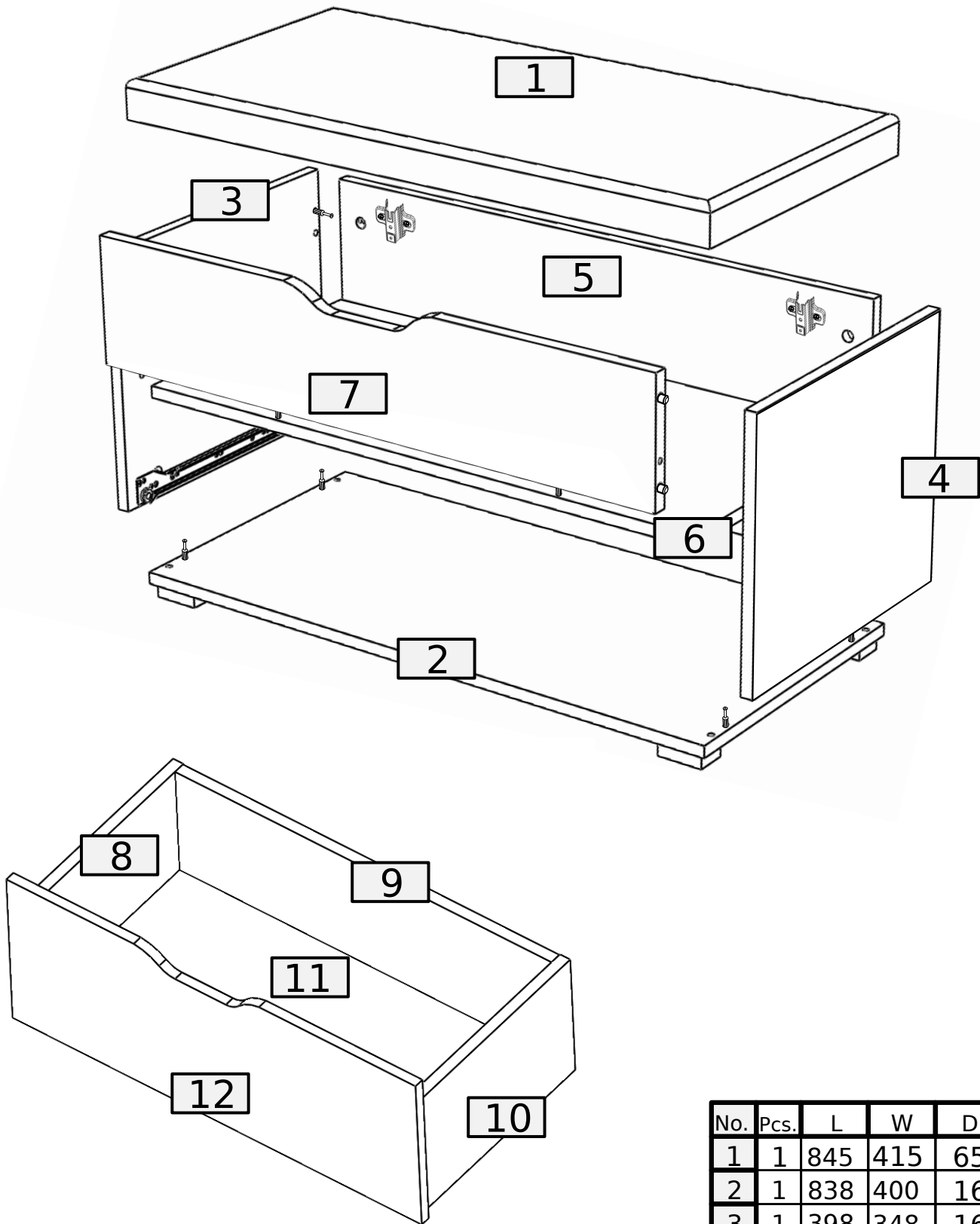


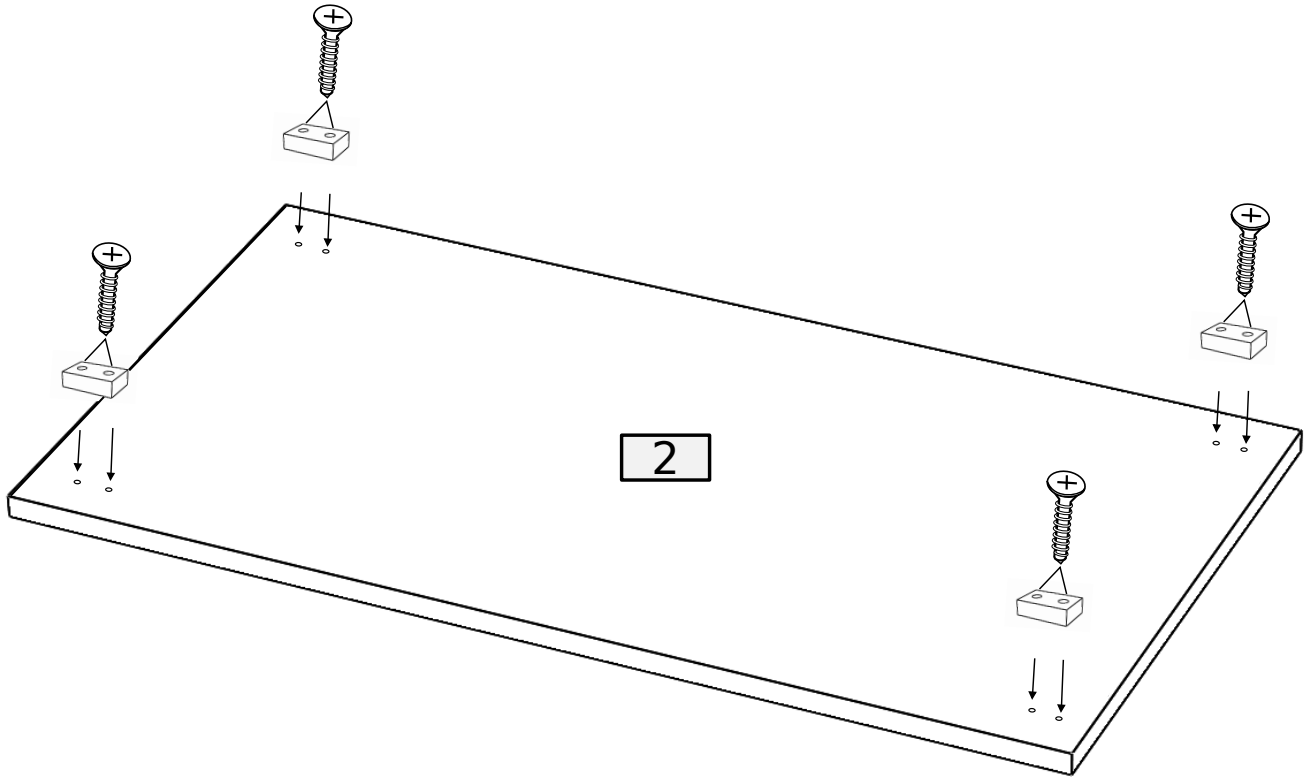
20	20	20	16	2	2
					
B	A 8.0x35	D 3.5x16	W2	Z1	PZ
					
X	L-350	NV	4.0x25	W6	3.0x20
10	1	4	8	6	1

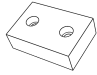



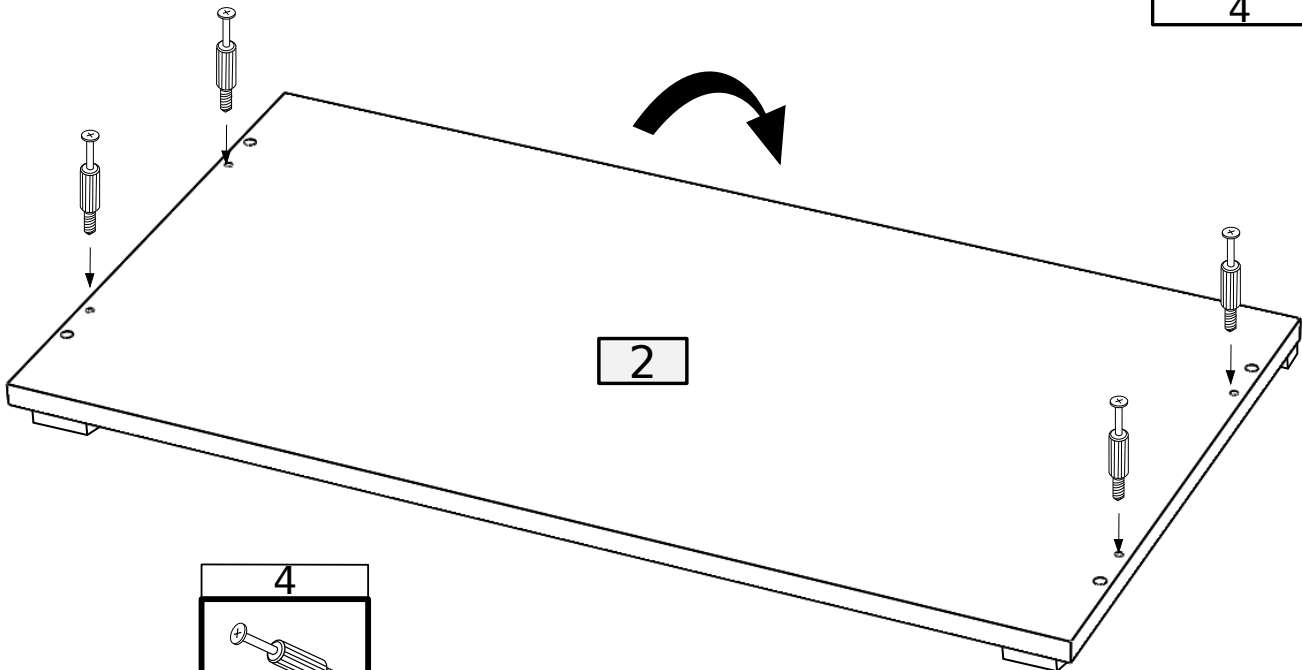


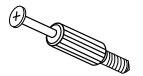
No.	Pcs.	L	W	D	Pac
1	1	845	415	65	2/2
2	1	838	400	16	1/2
3	1	398	348	16	1/2
4	1	398	348	16	1/2
5	1	804	348	16	1/2
6	1	804	378	16	1/2
7	1	804	166	16	1/2
8	1	350	110	16	1/2
9	1	747	90	16	1/2
10	1	350	110	16	1/2
11	1	762	357	3	1/2
12	1	800	160	16	1/2

1






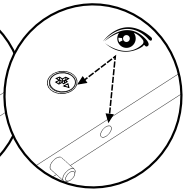
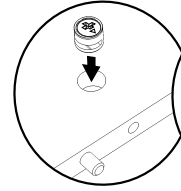
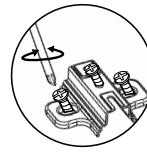
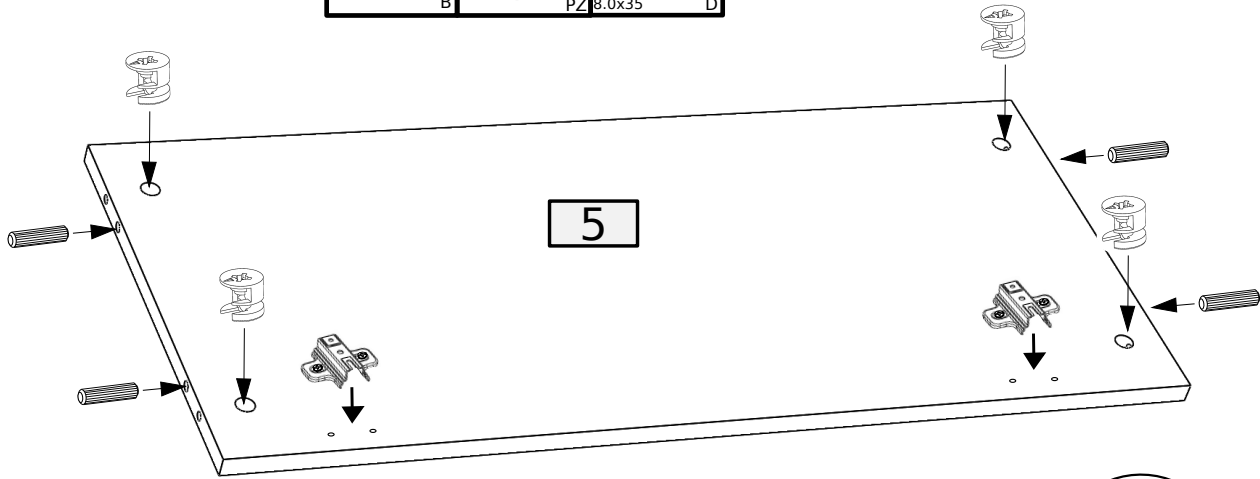
 NV	 4.0x25 W6
4	8



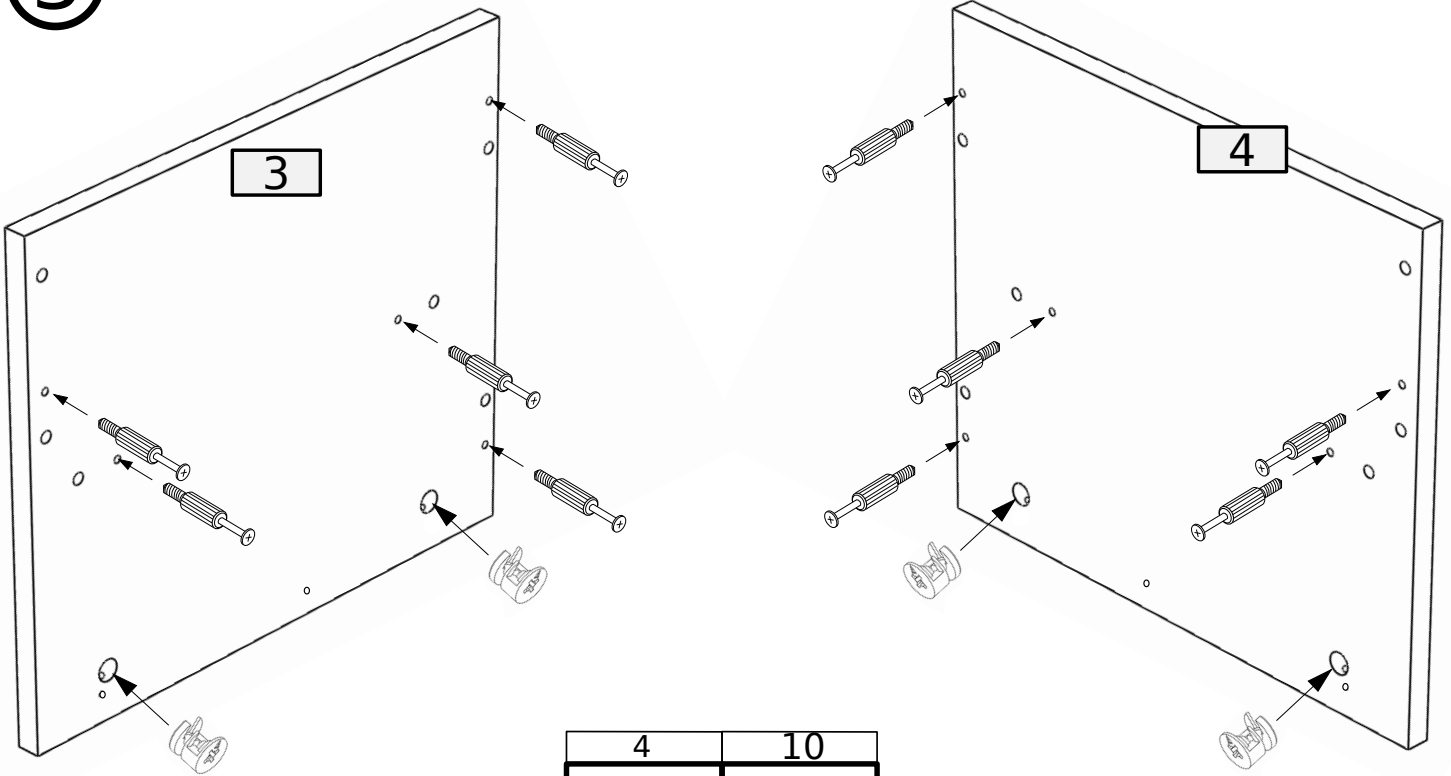
4
 A

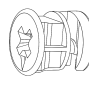
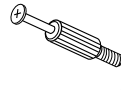
②

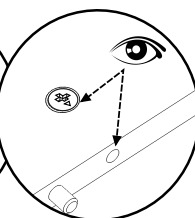
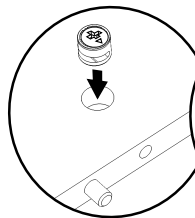
4	2	4
		
B	PZ 8.0x35	D



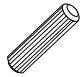

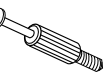
③

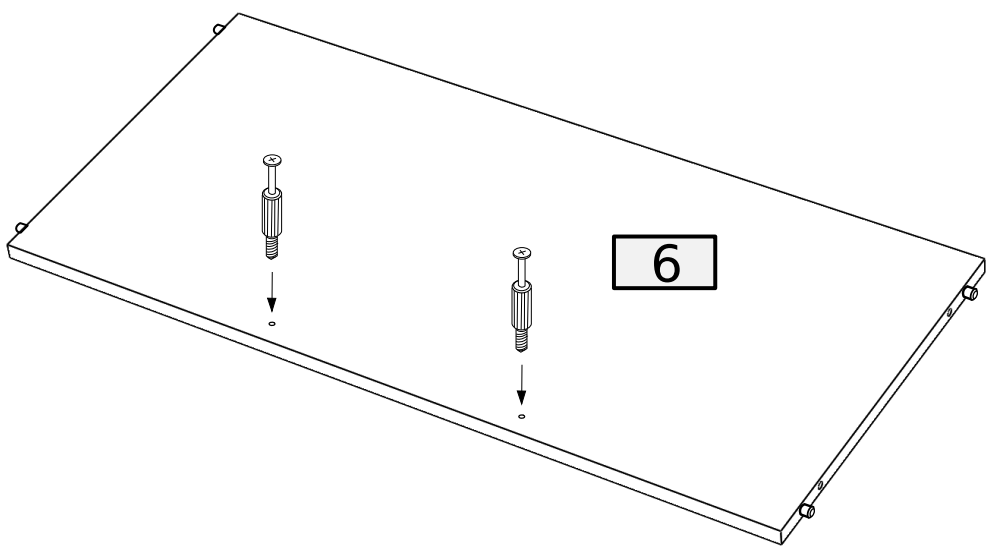
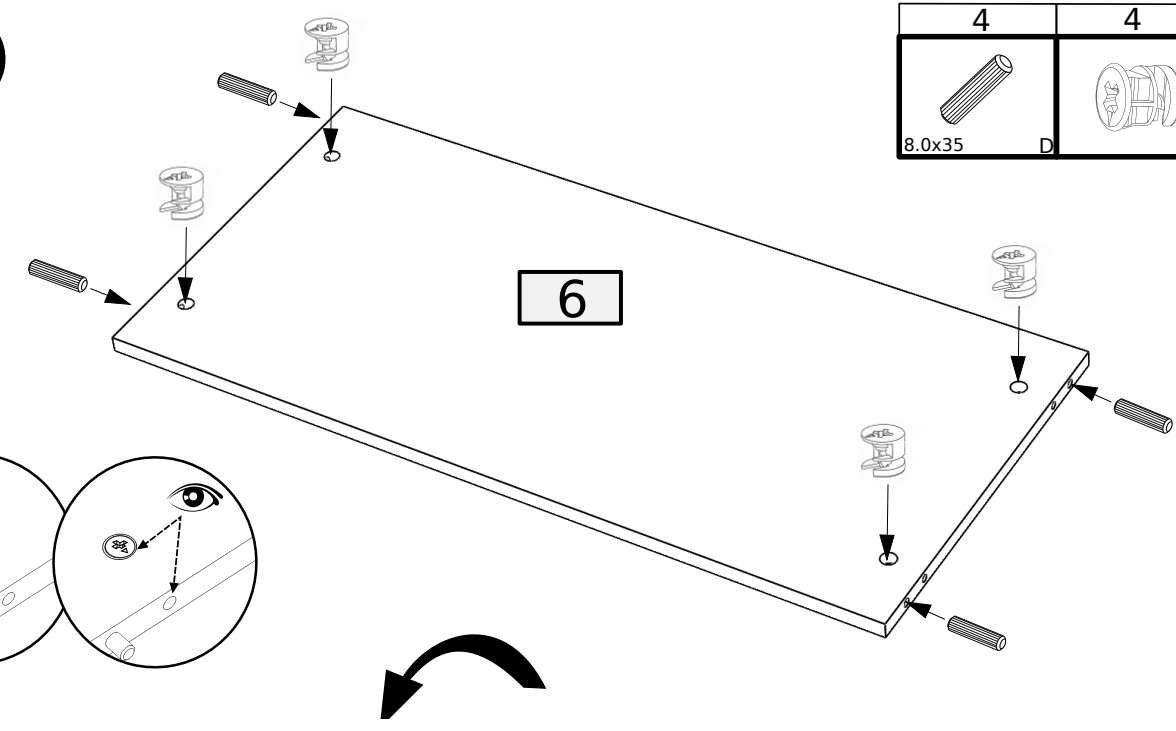
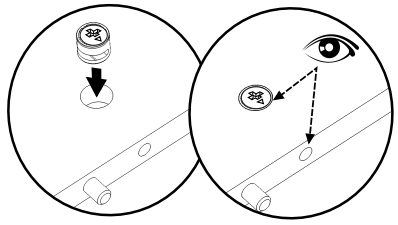


4	10
	
B	A

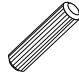



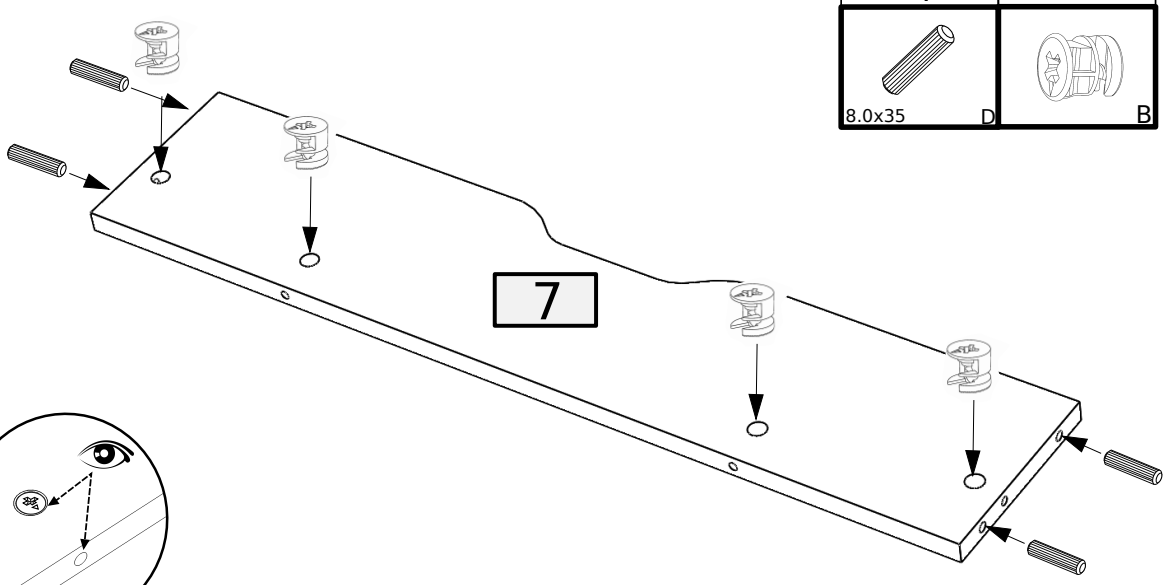
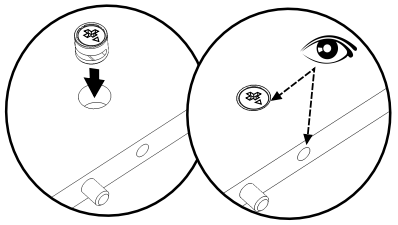
4

4	4	2
		
8.0x35	D	B
		A

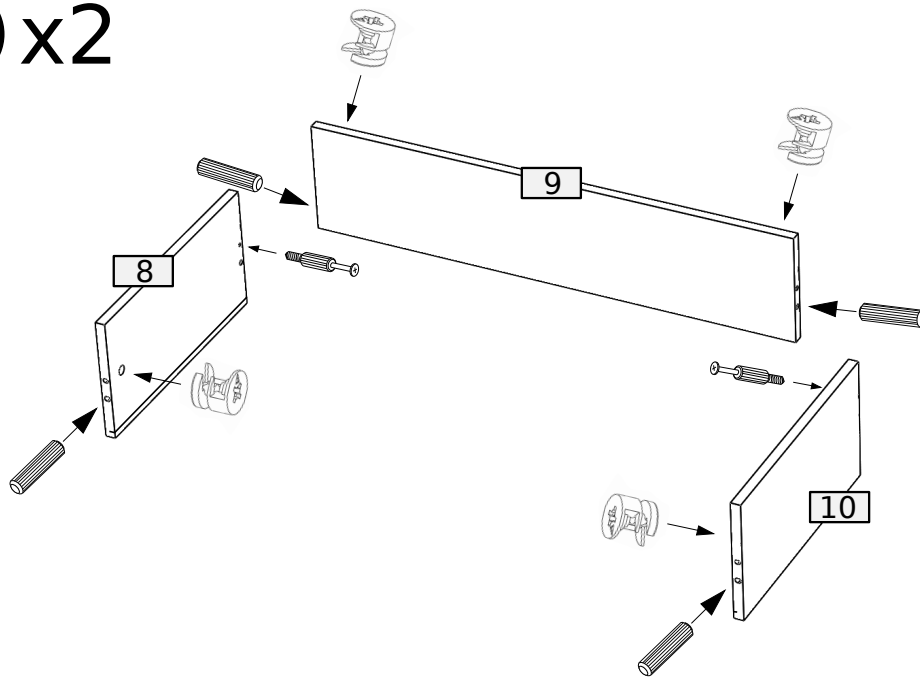


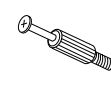


5

4	4
	
8.0x35	D
	B

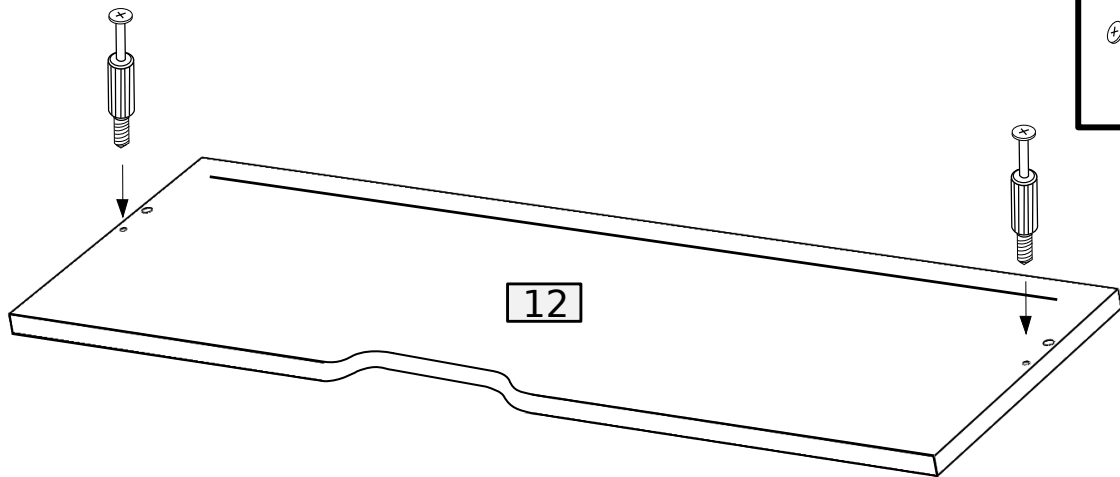


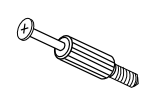
⑥ x2



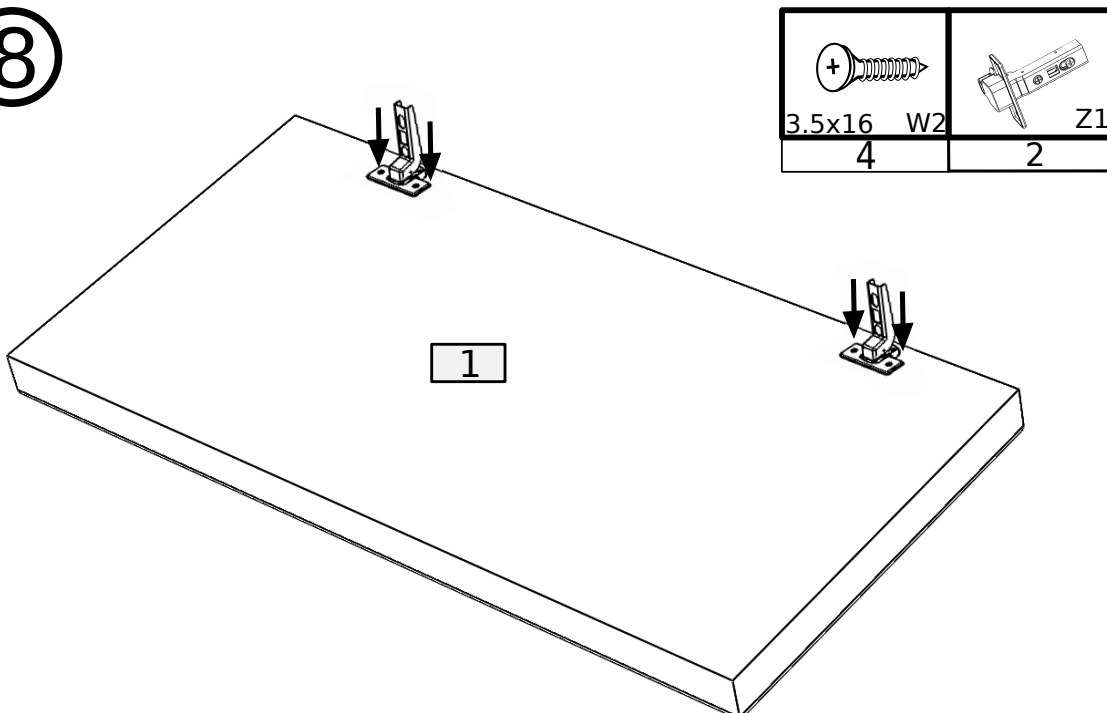
2	8	4
		
A	8.0x35	D
		B

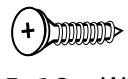
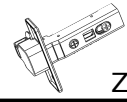
⑦

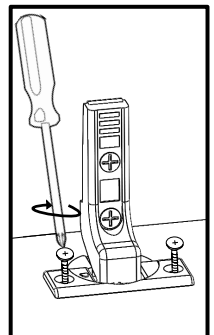


2

A

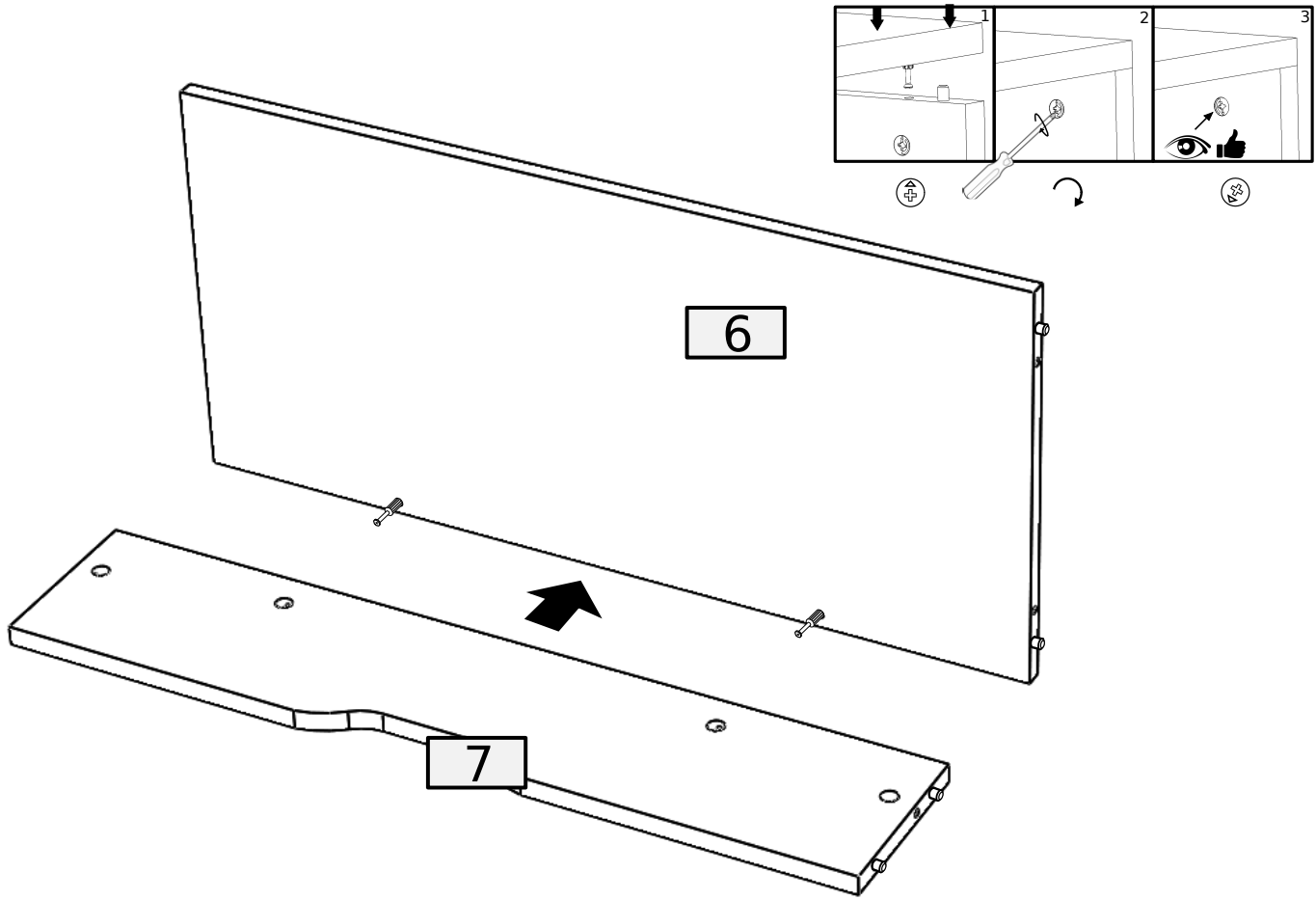
⑧



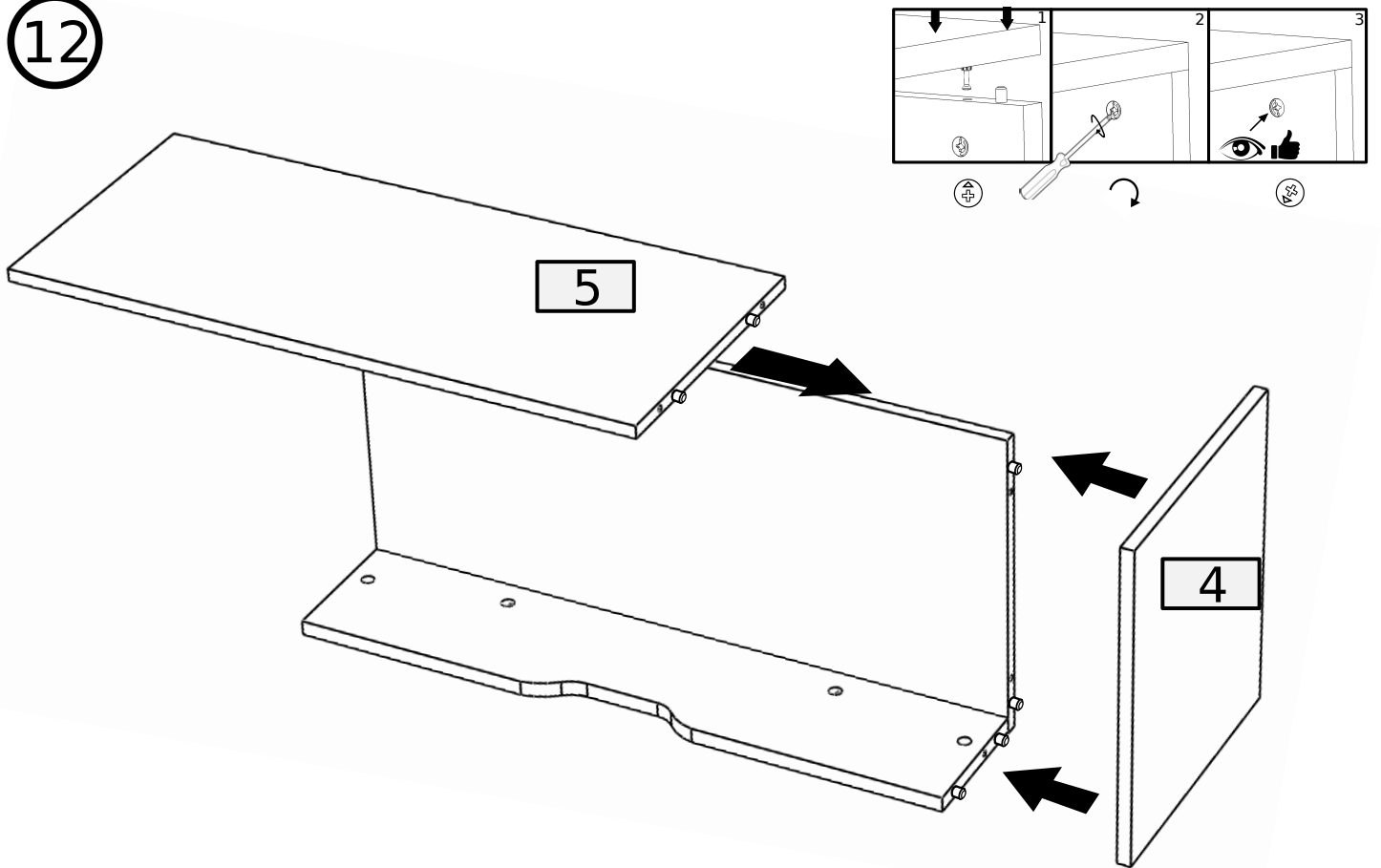
	
3.5x16 W2	Z1
4	2



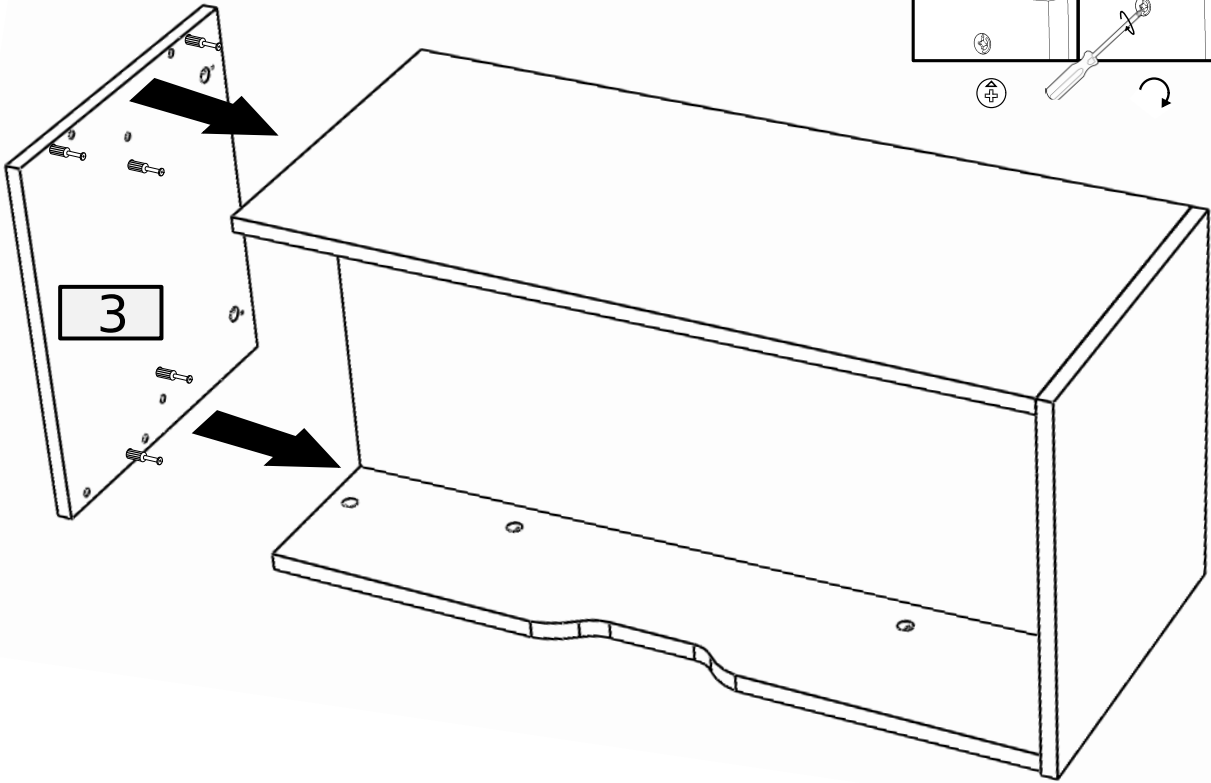
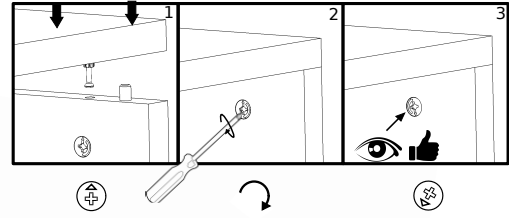
11



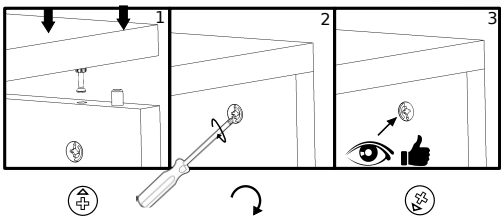
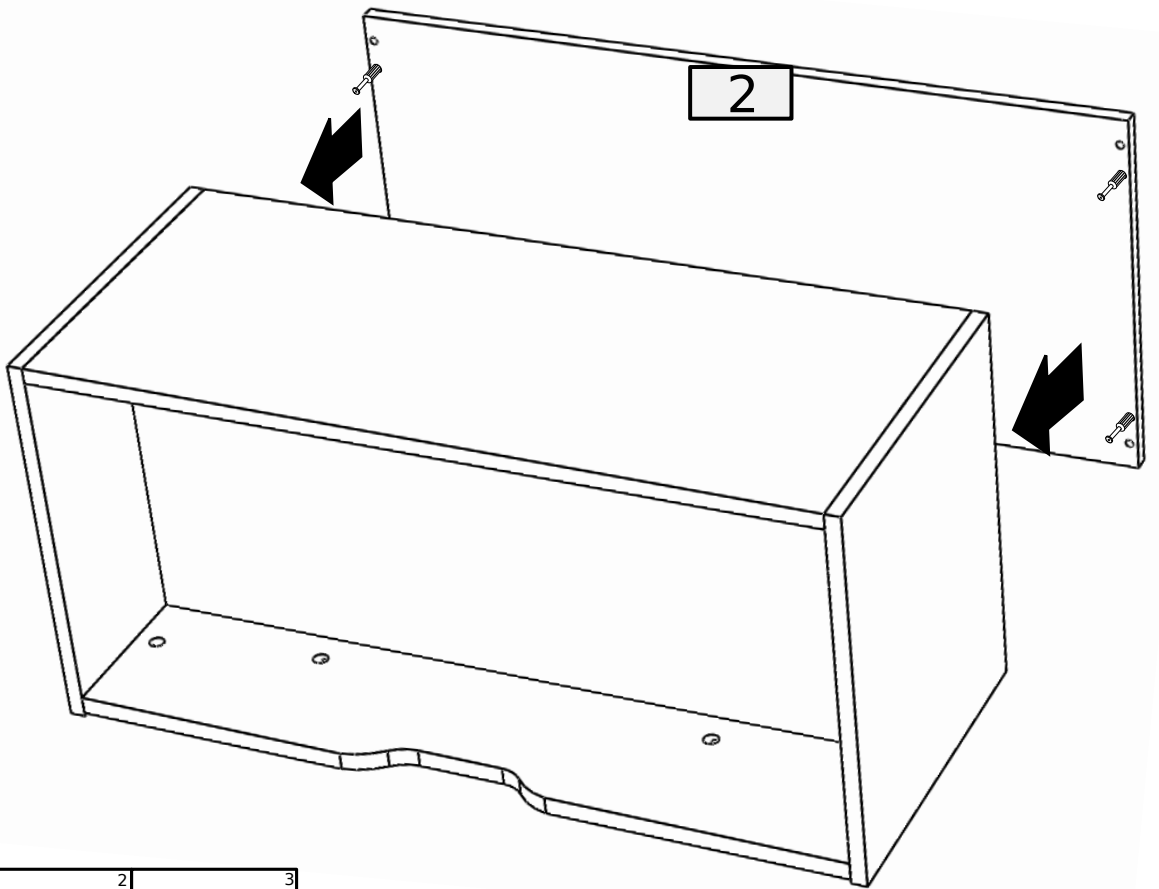
12



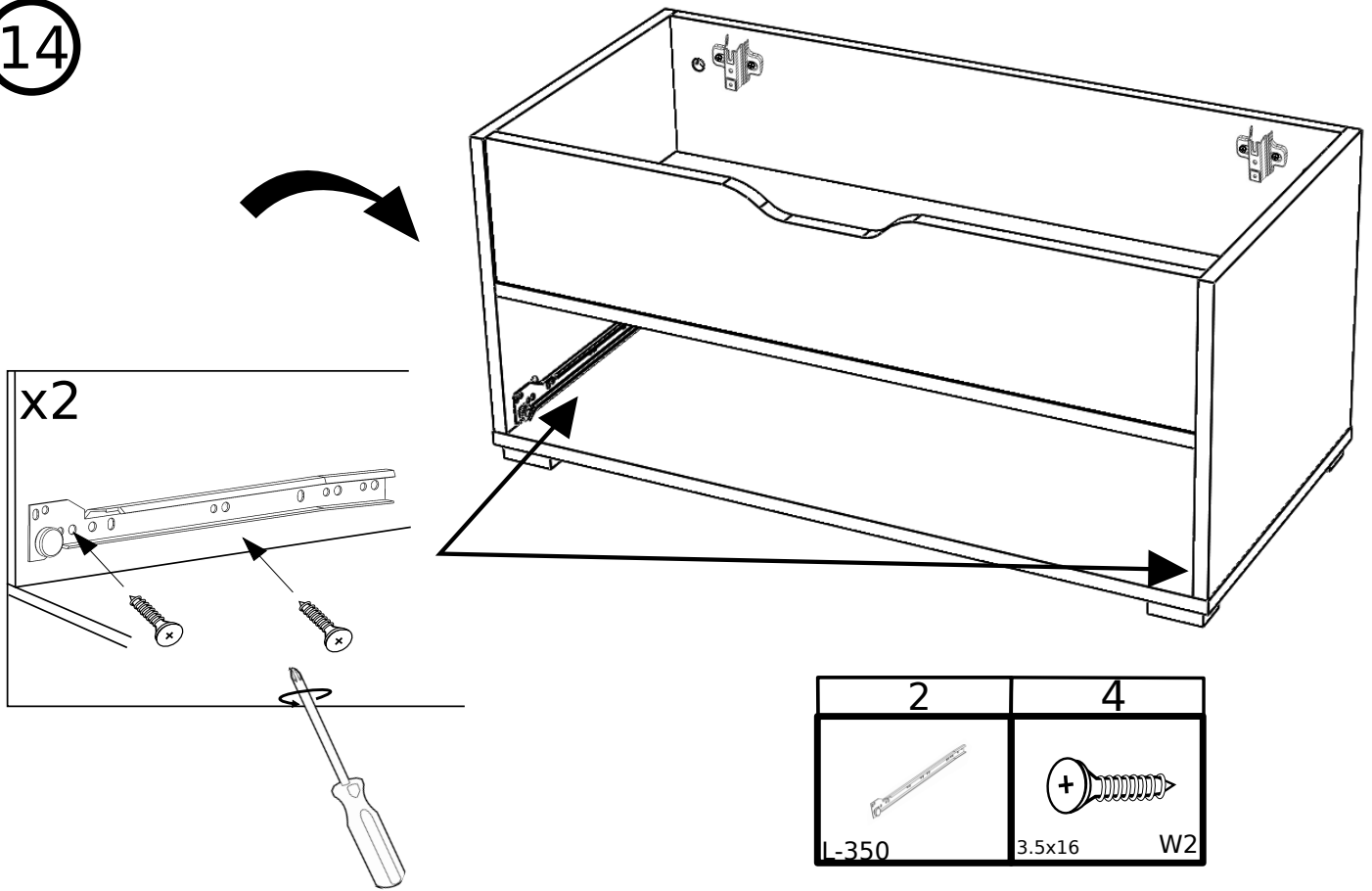
12



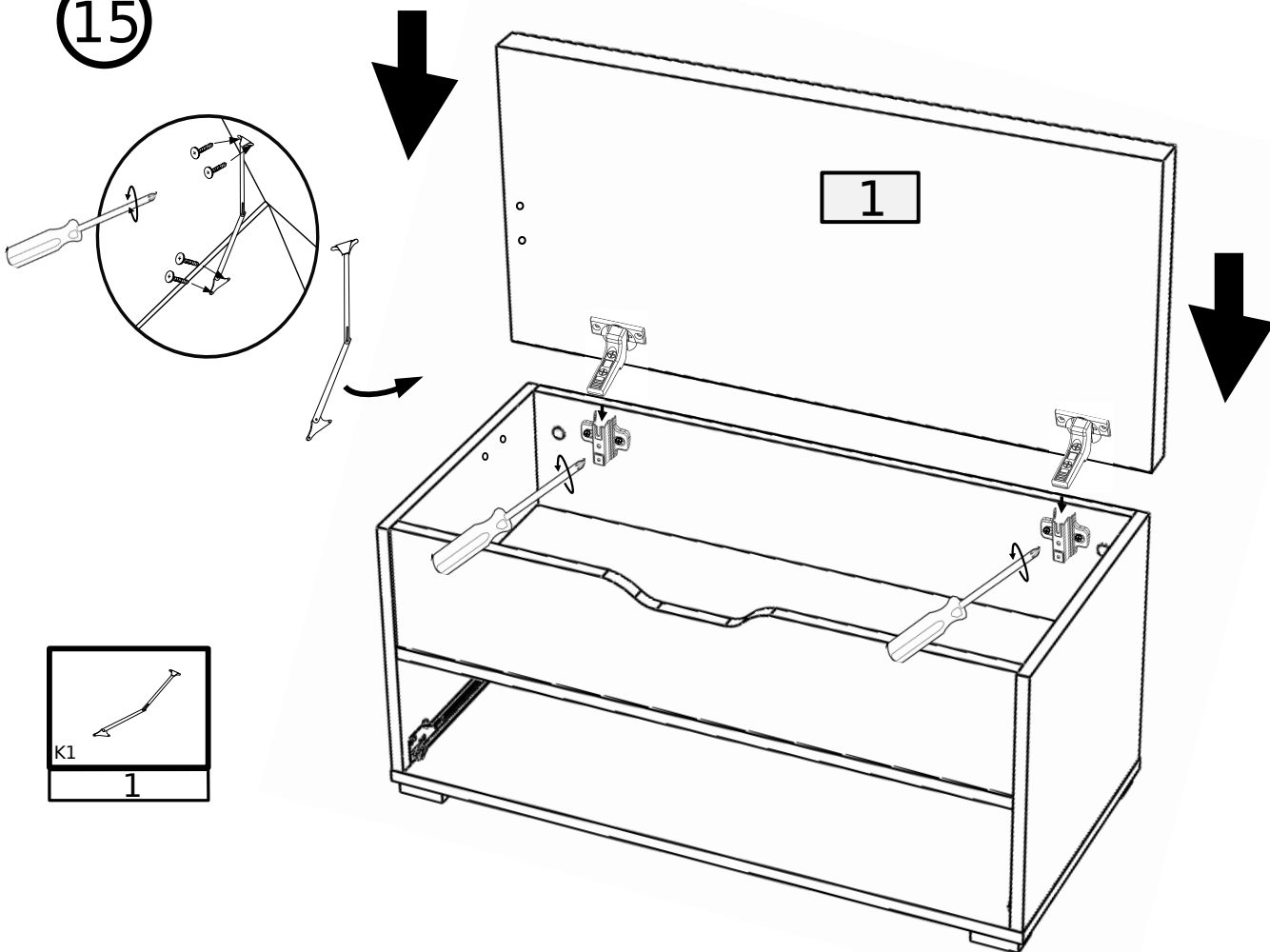
13



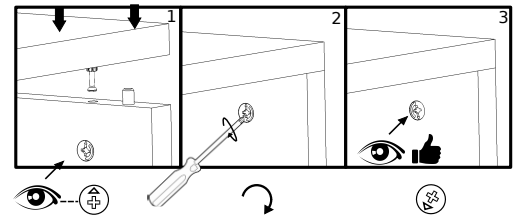
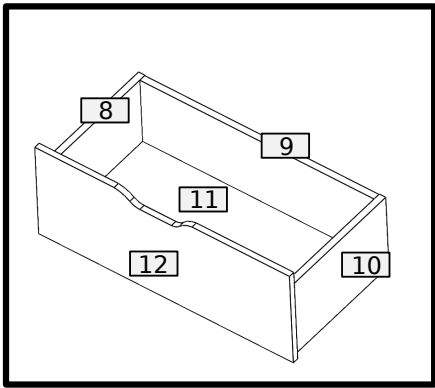
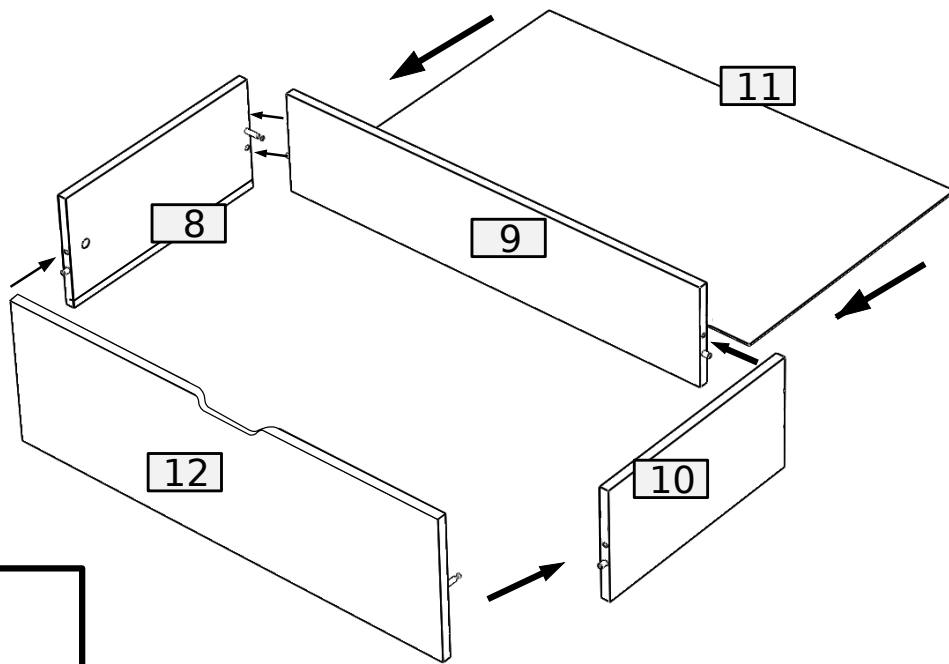
14



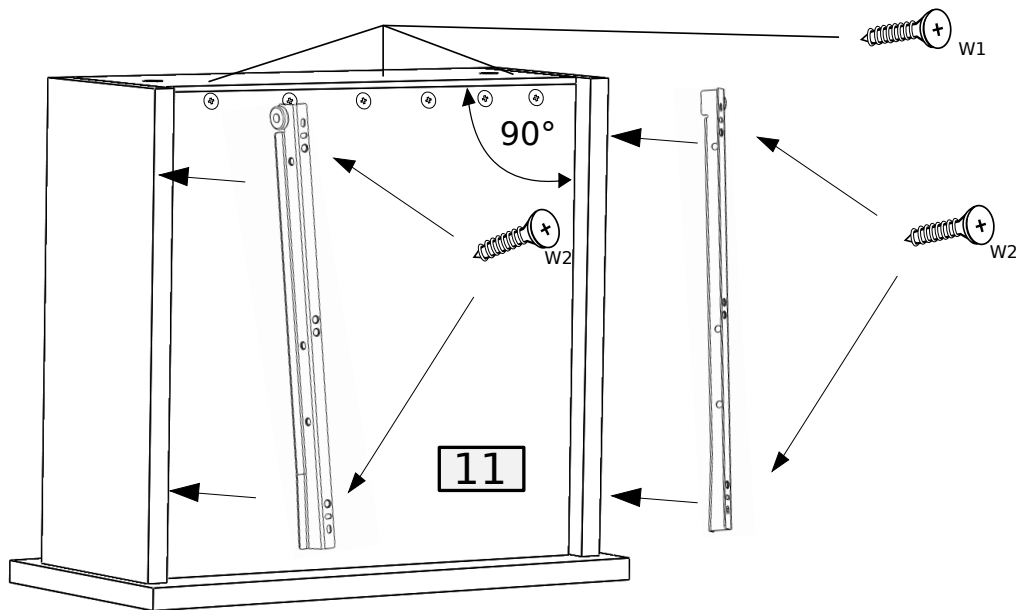
15






16



17



6	4	1
		
3.0x20 W1	3.5x16 W2	L-350

