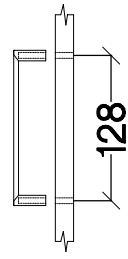
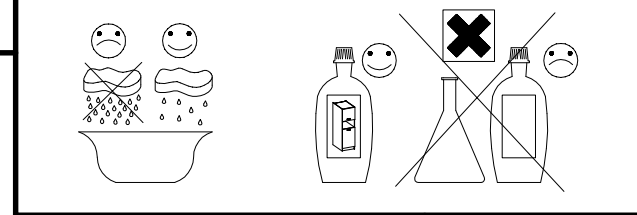
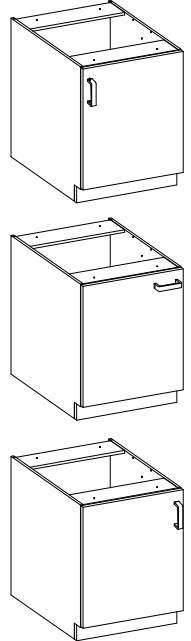
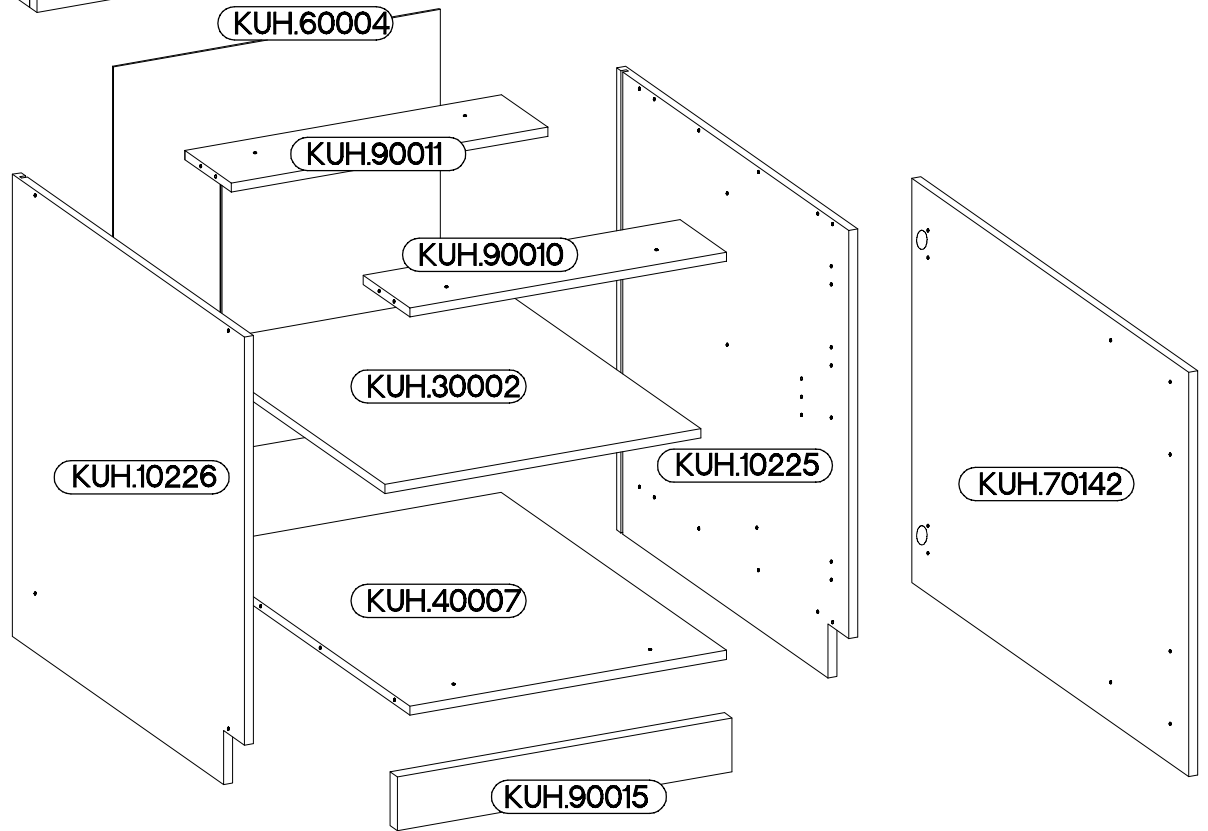
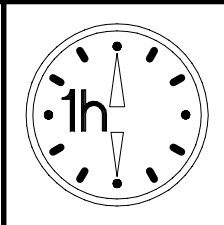


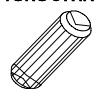




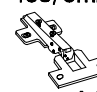

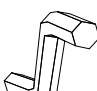




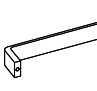

60 D 1F BB

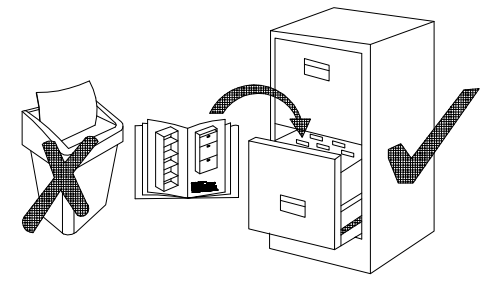


max.  
10kg

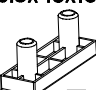
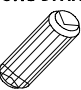
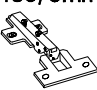

KUH.30002  
KUH.40007

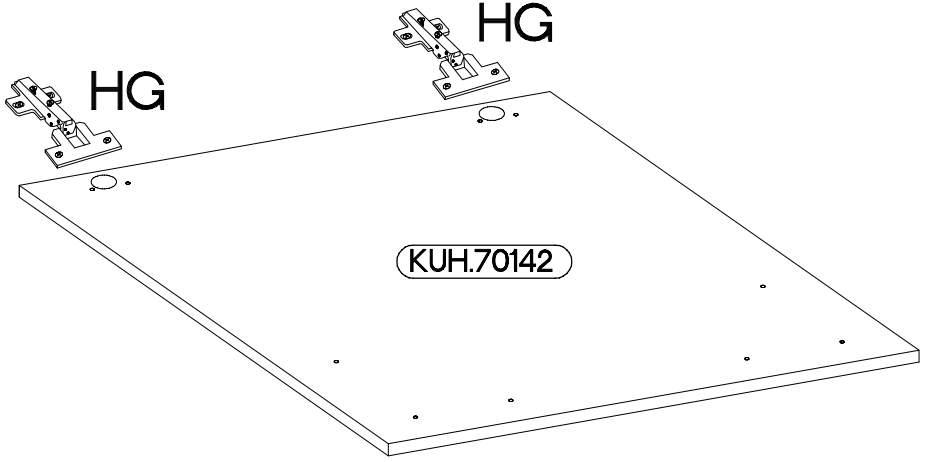
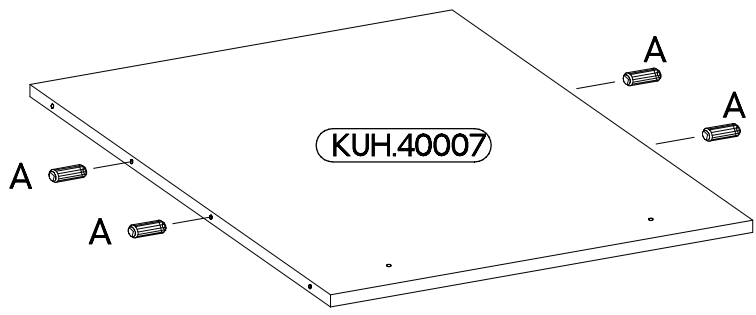
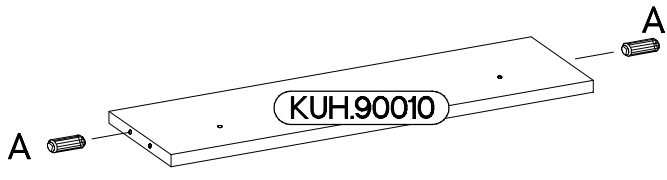
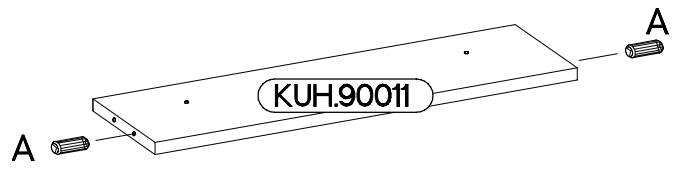
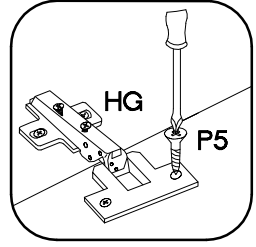
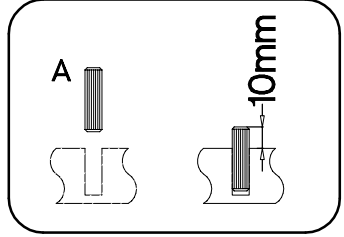
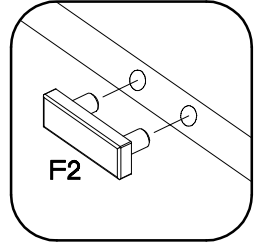
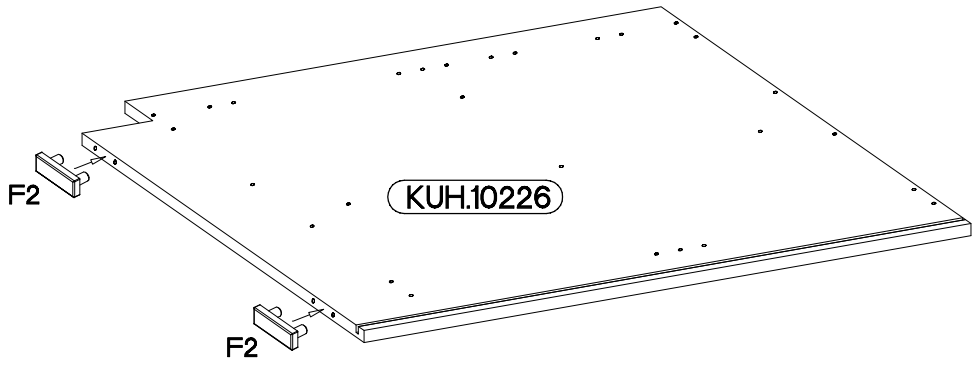
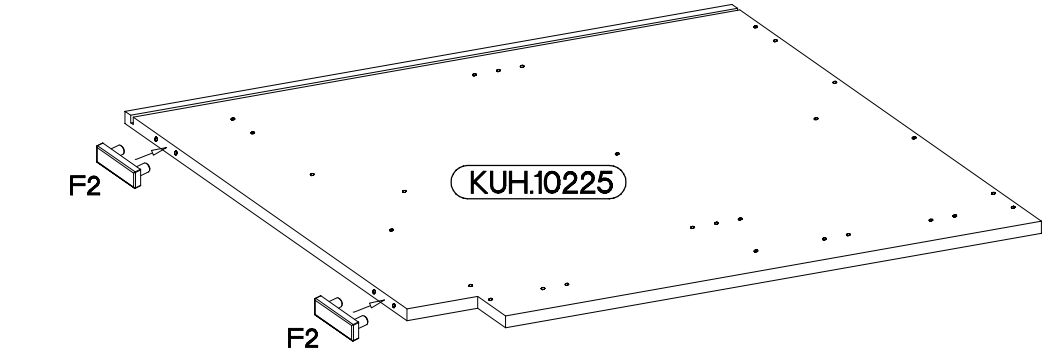
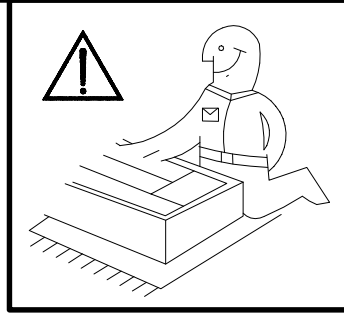


 A	 B	 E1	 E9	 F2	 HG	 J
8	8	8	2	4	2	4
 O	 P4	 P5	 P7	 R3	 S23	 U
1	2	4	8-10	4	1	2



ISM-KUH-00928

6.5x48x16	±8x30mm	±35/0mm	±3.5x13mm
			
F2	A	HG	P5
4	8	2	4



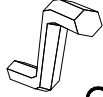
2

6,4 x 50mm



B

4



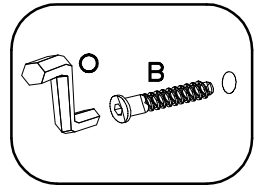
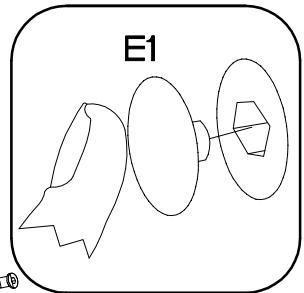
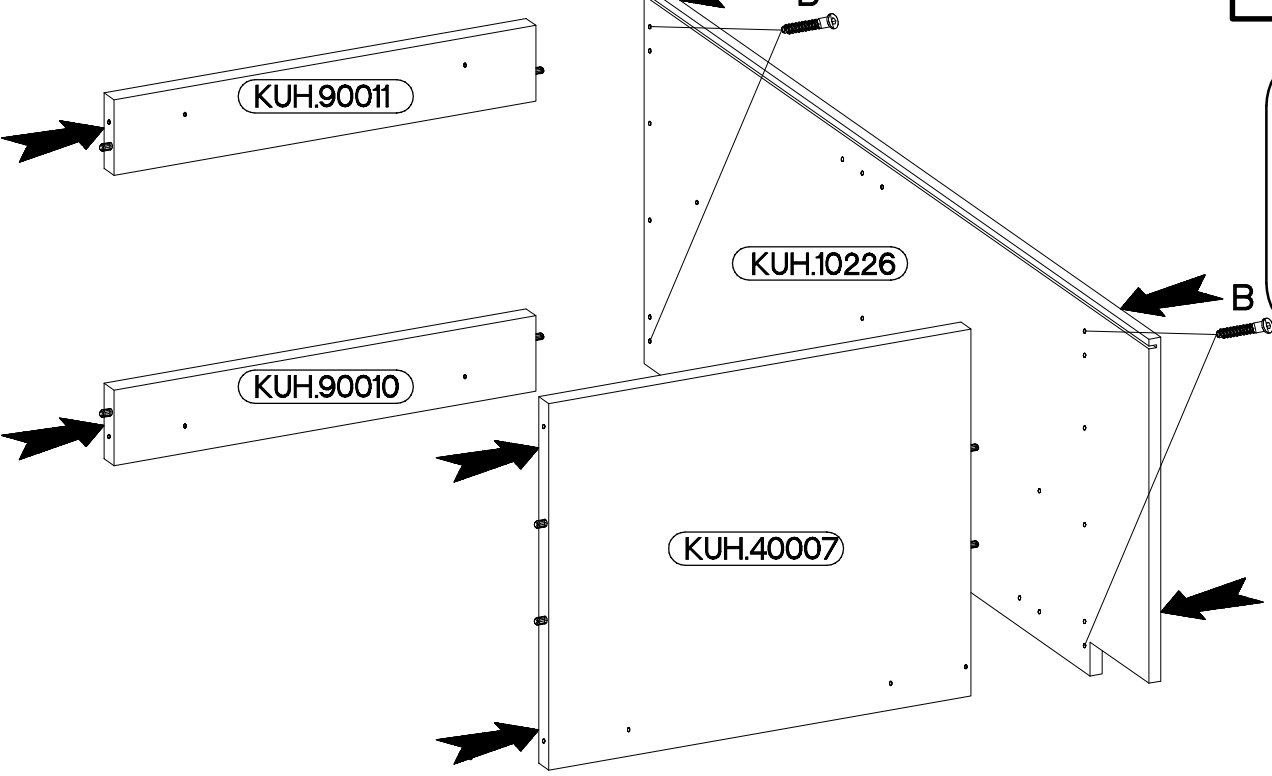
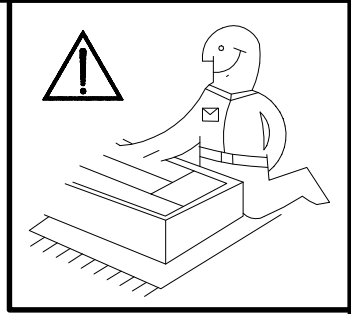
O

1



E1

4



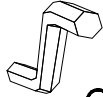
3

6,4 x 50mm



B

4



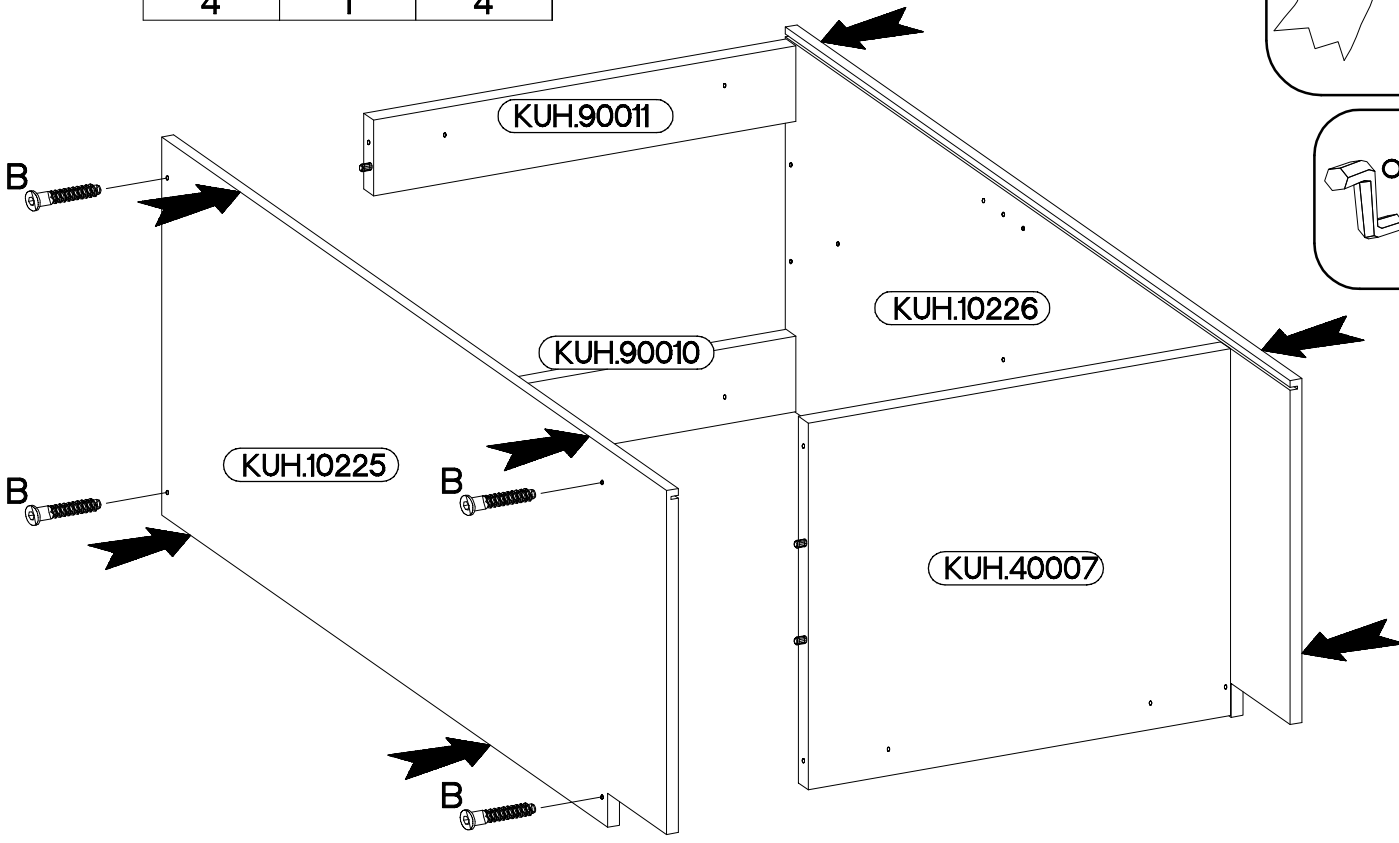
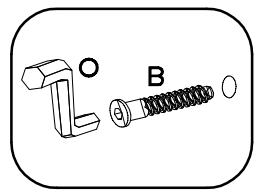
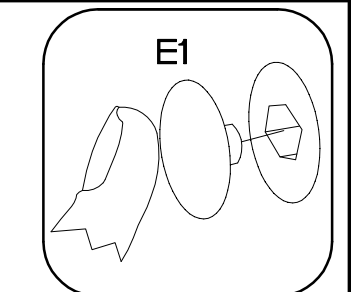
O

1

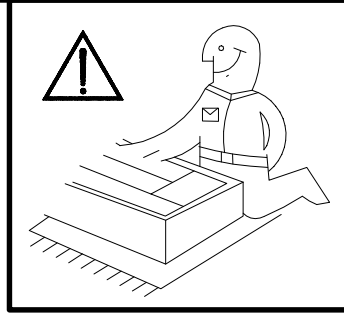
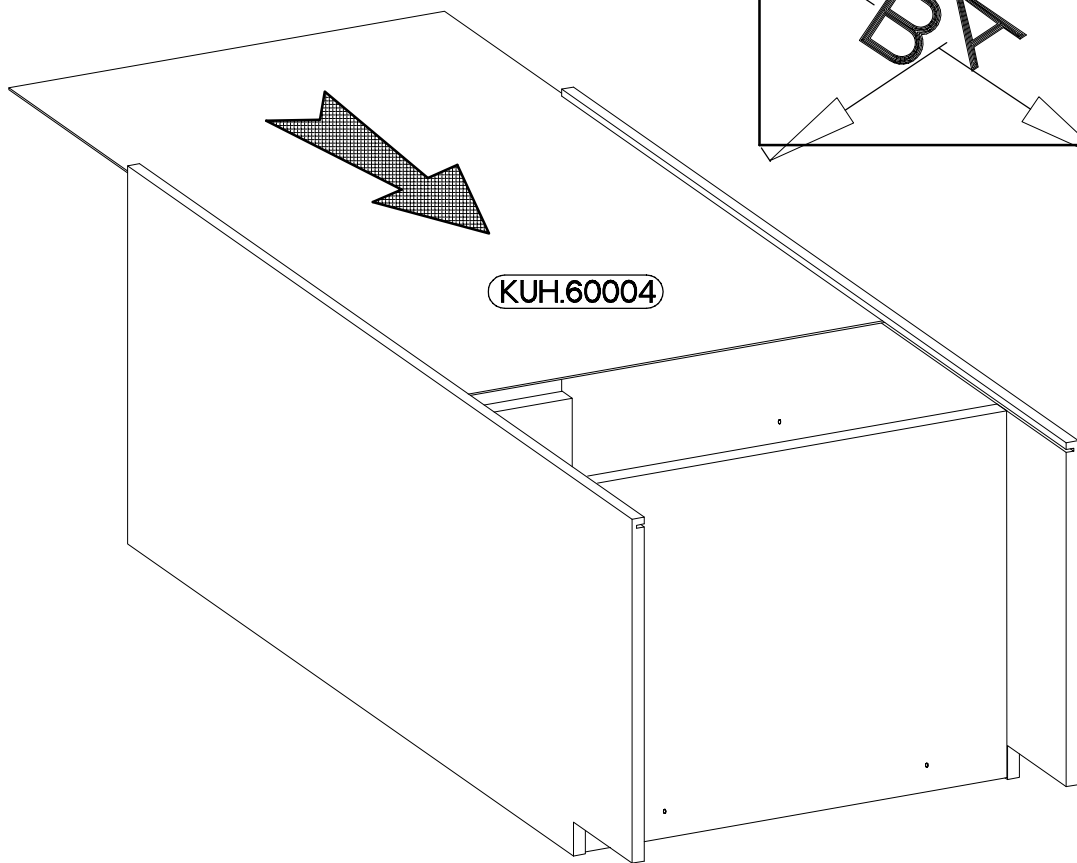


E1


4

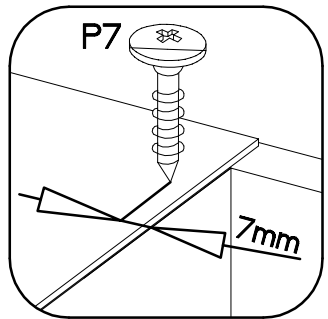
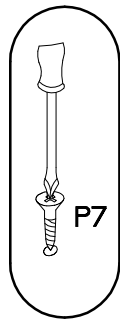
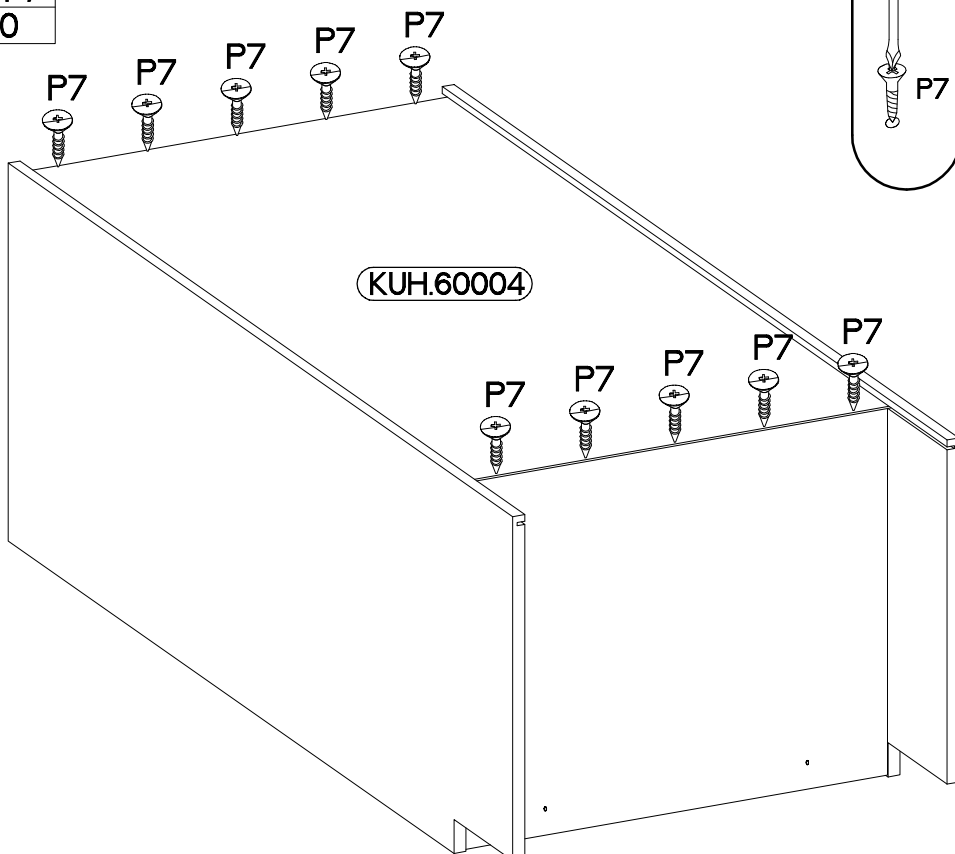


4



5

$\varnothing 3.0 \times 20 \text{mm}$   
  
 P7  
 8-10



6

4.0x45mm



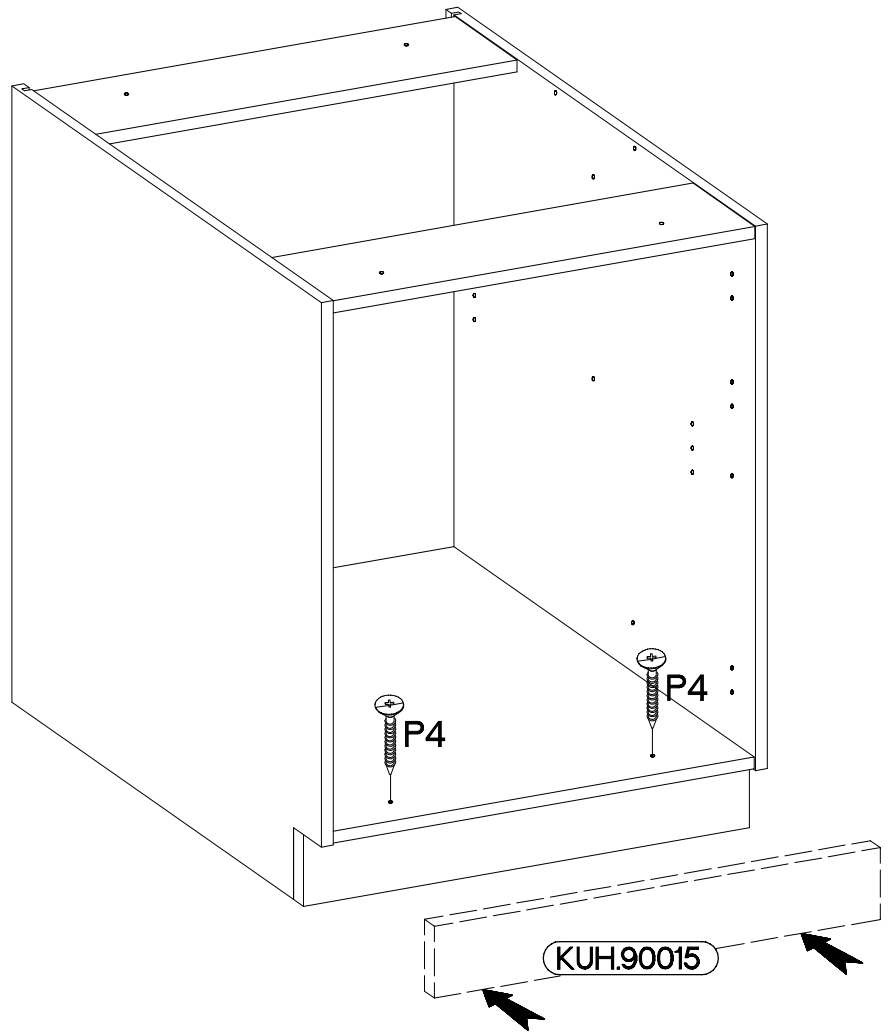
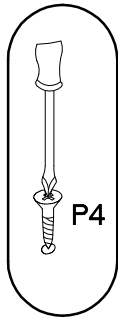
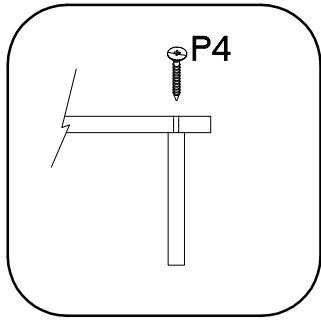
P4

2



E9

2



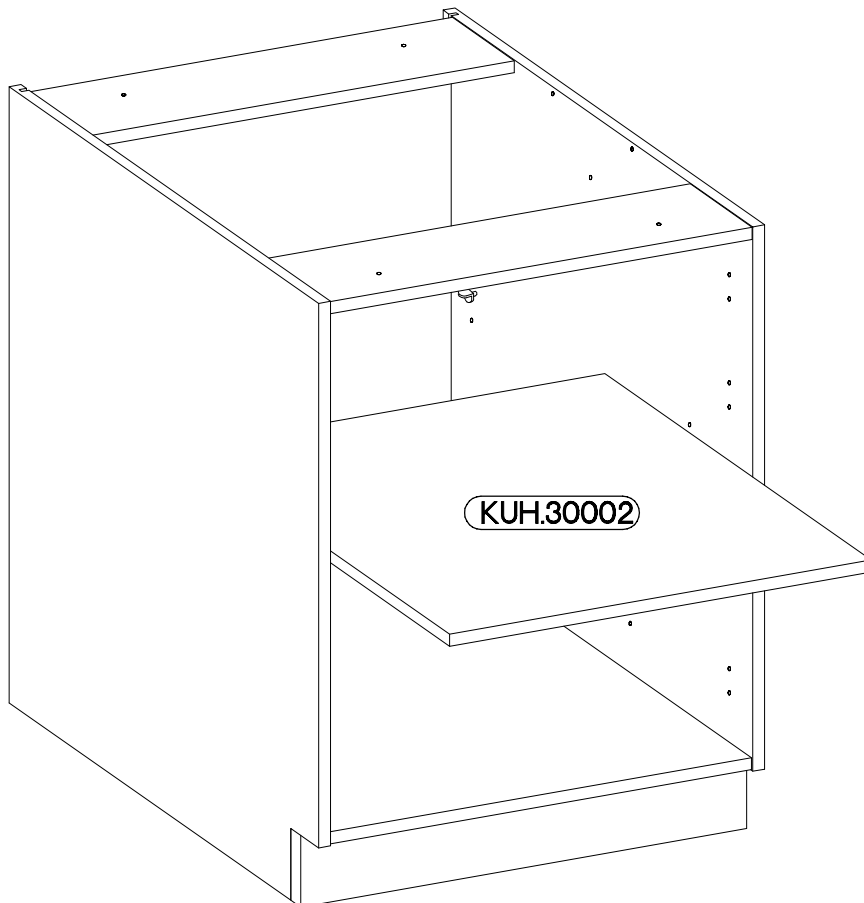
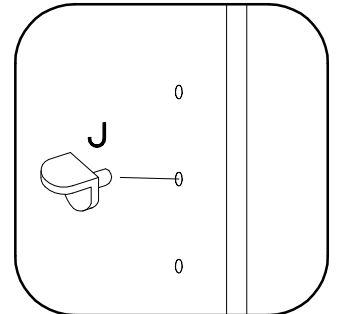
7

5/19mm



J

4



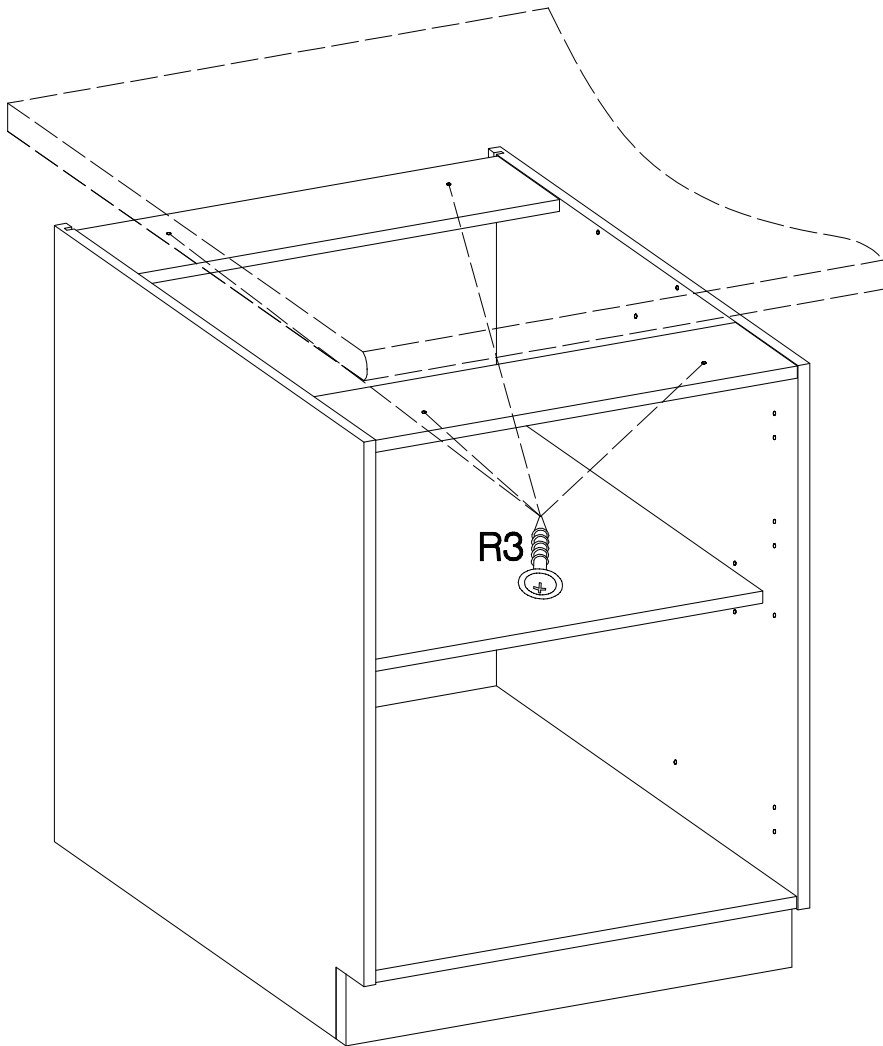
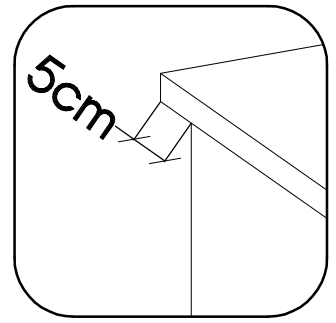
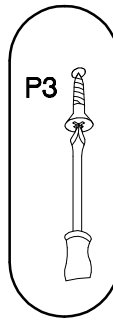
8

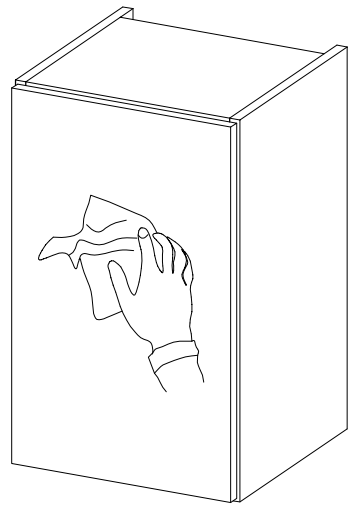
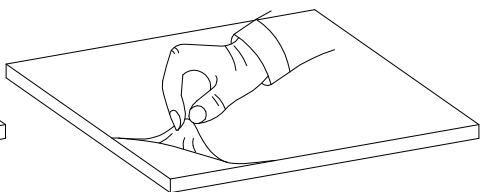
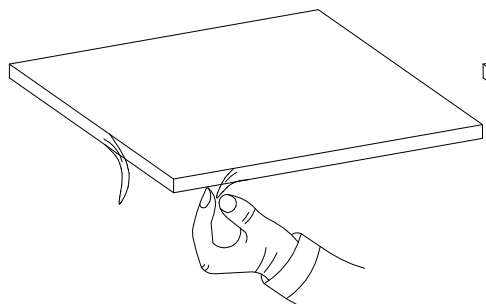
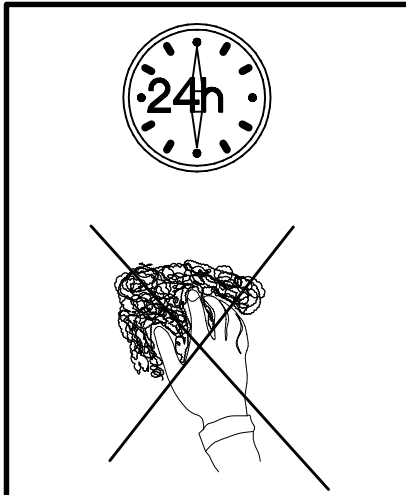
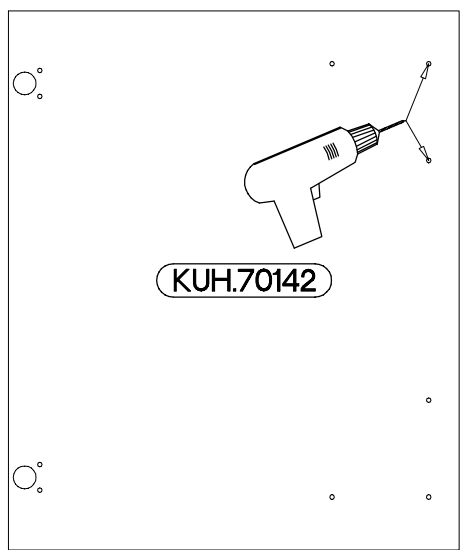
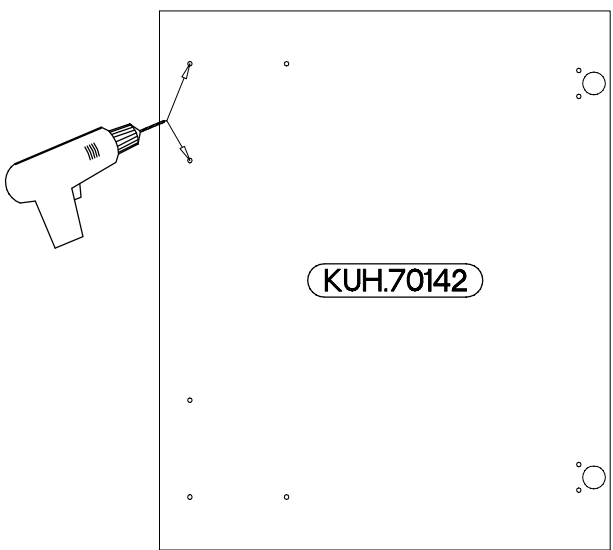
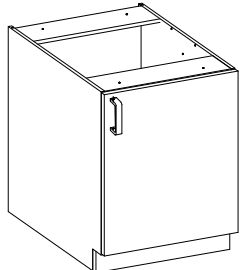
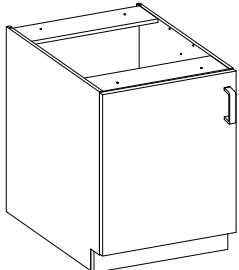
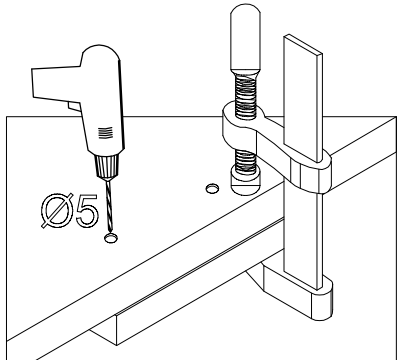
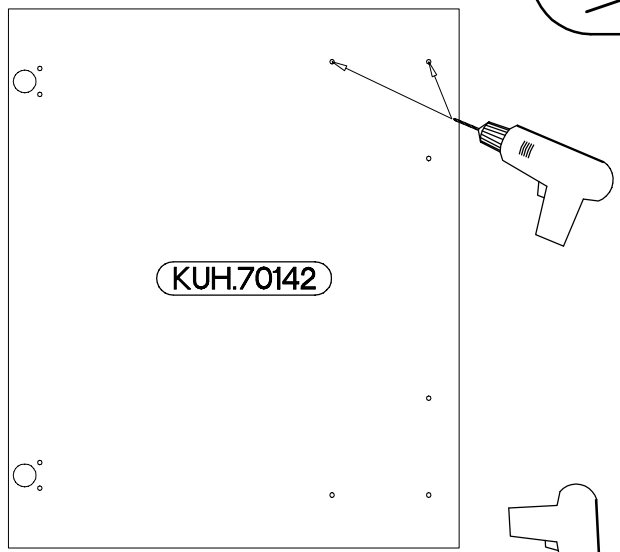
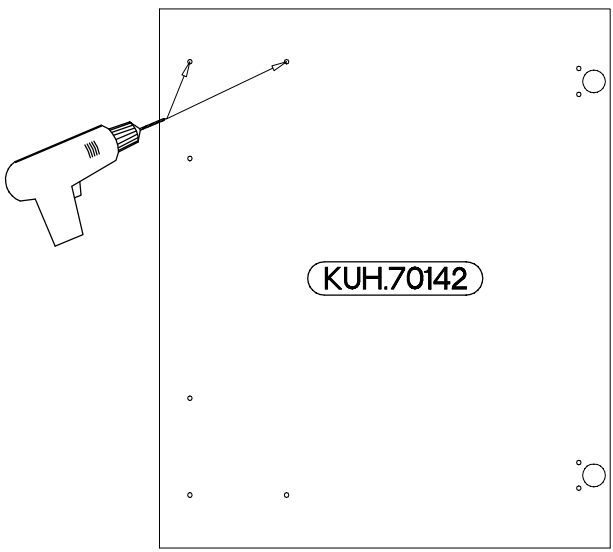
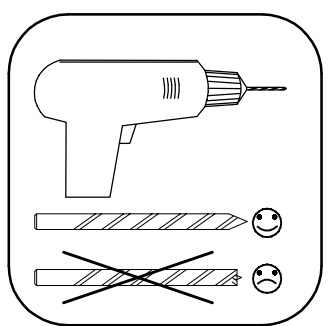
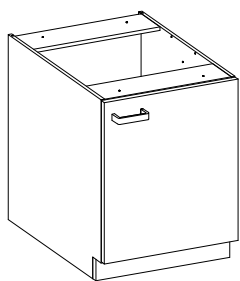
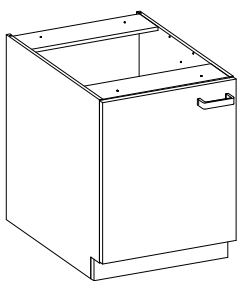
4.0x35mm


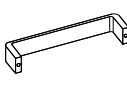


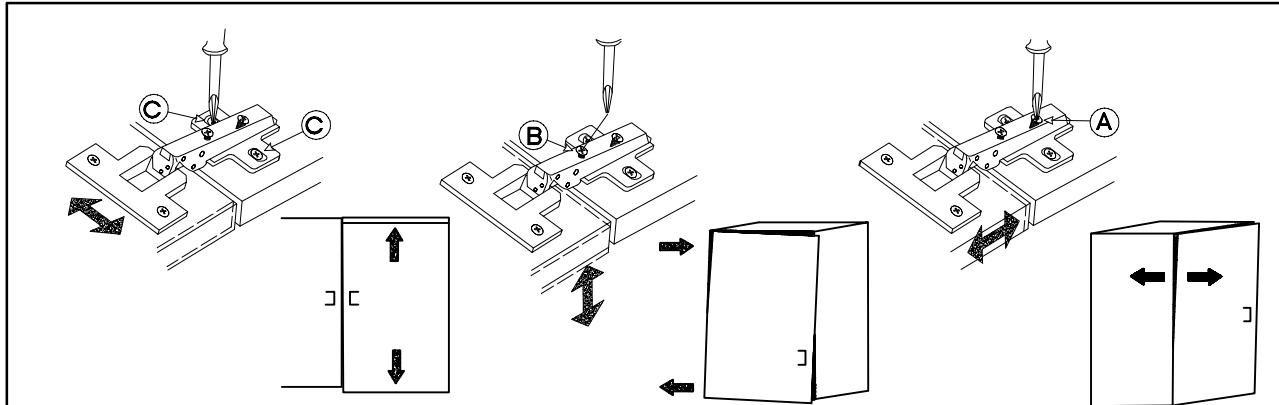
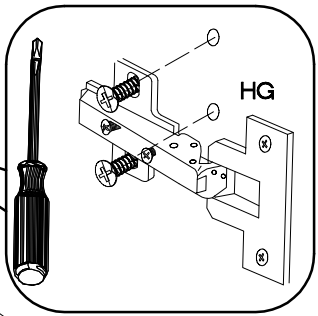
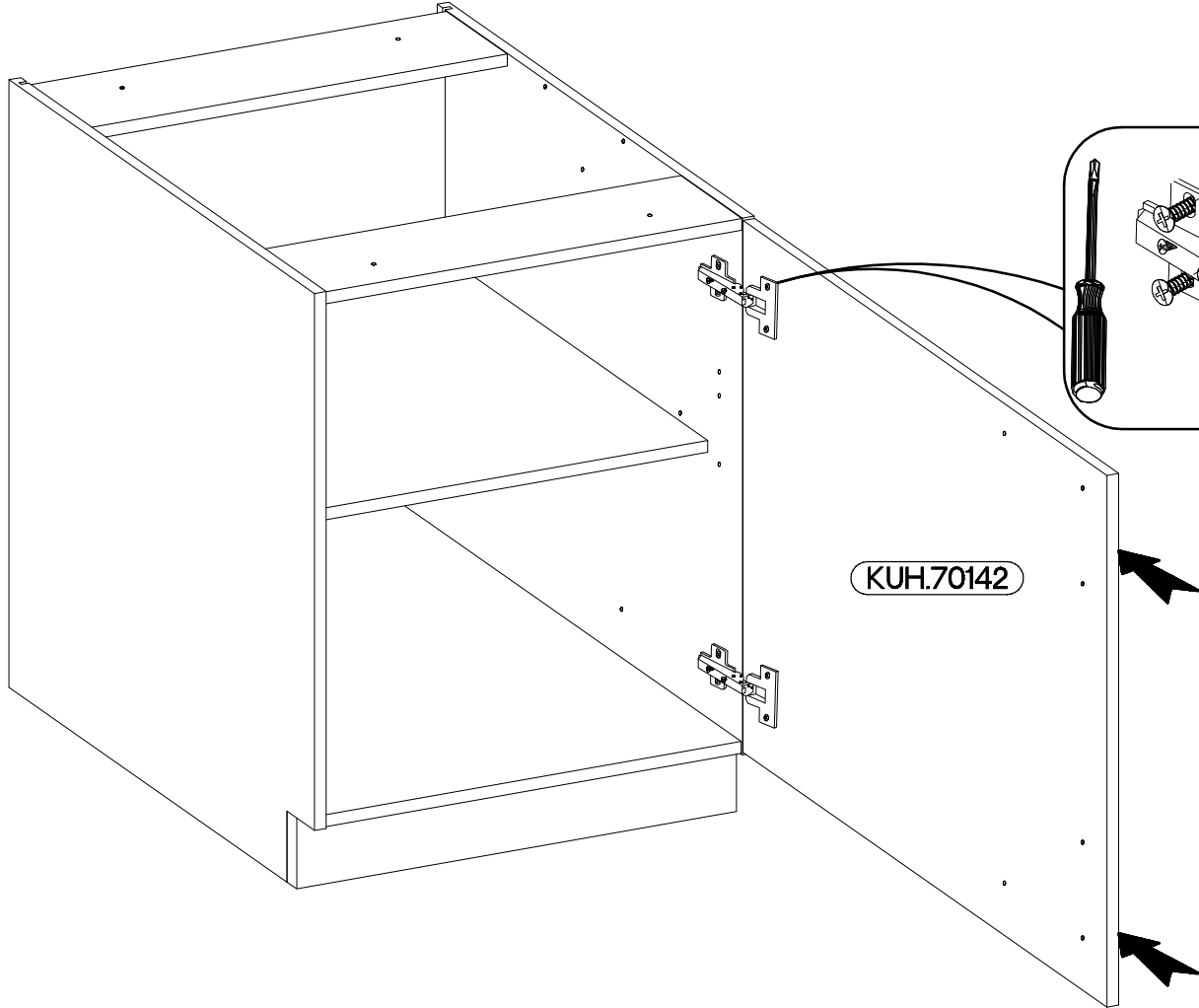
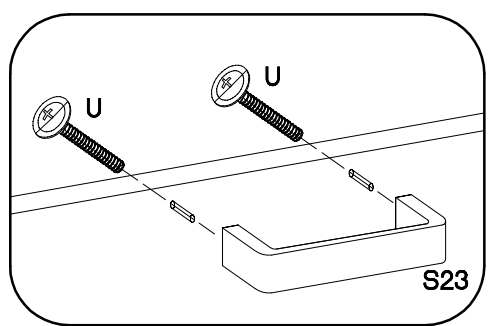
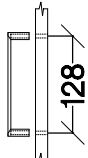
R3

4

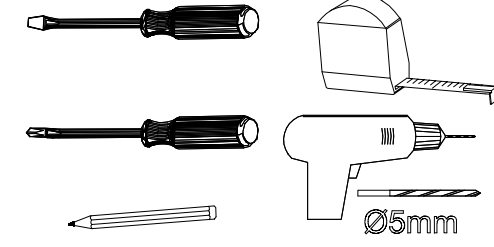




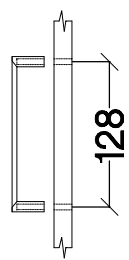
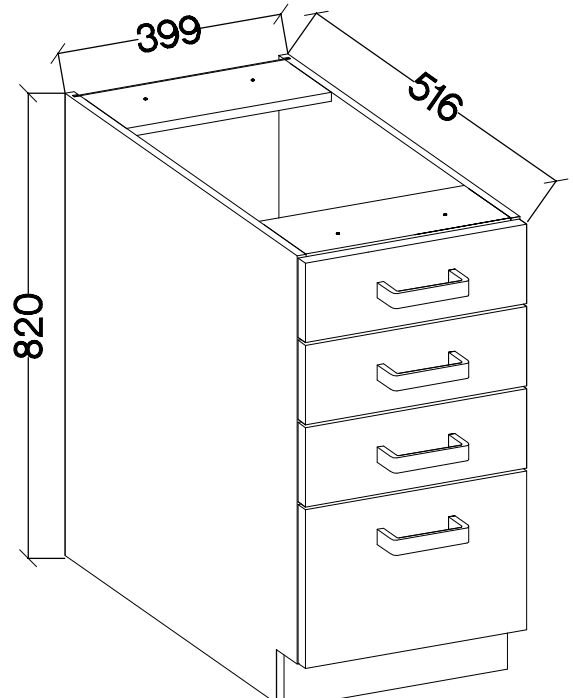
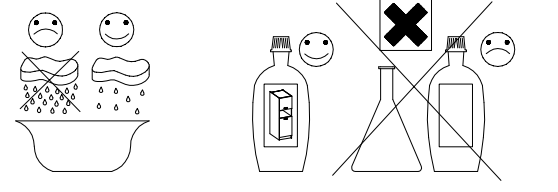
M4x22mm	
	
U	S23
2	1





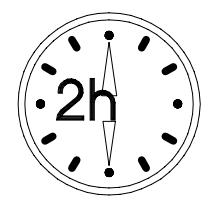


40 D 4S BB

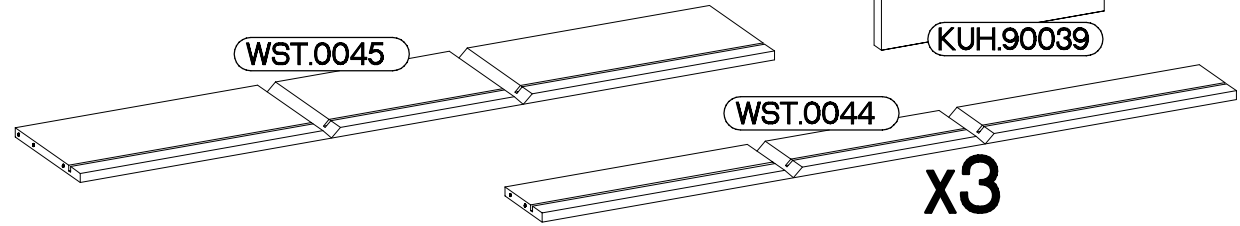
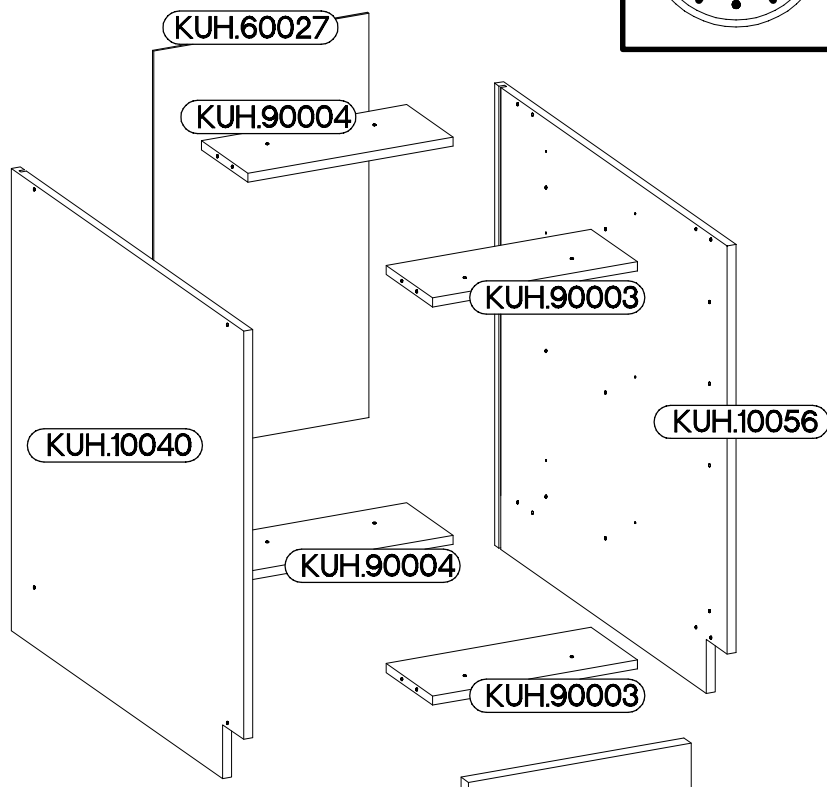
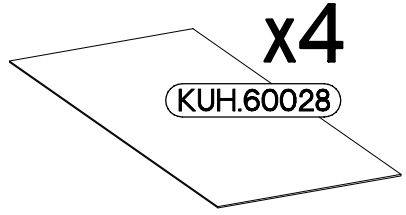


max. 5kg

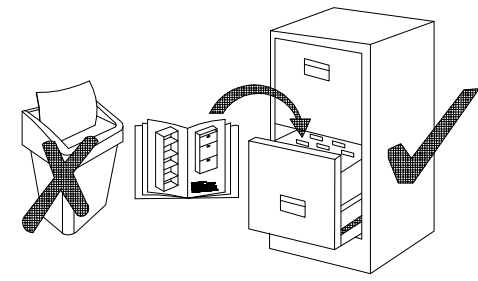
KUH.60028



- KUH.70149
- KUH.70149
- KUH.70149
- KUH.70150

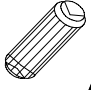



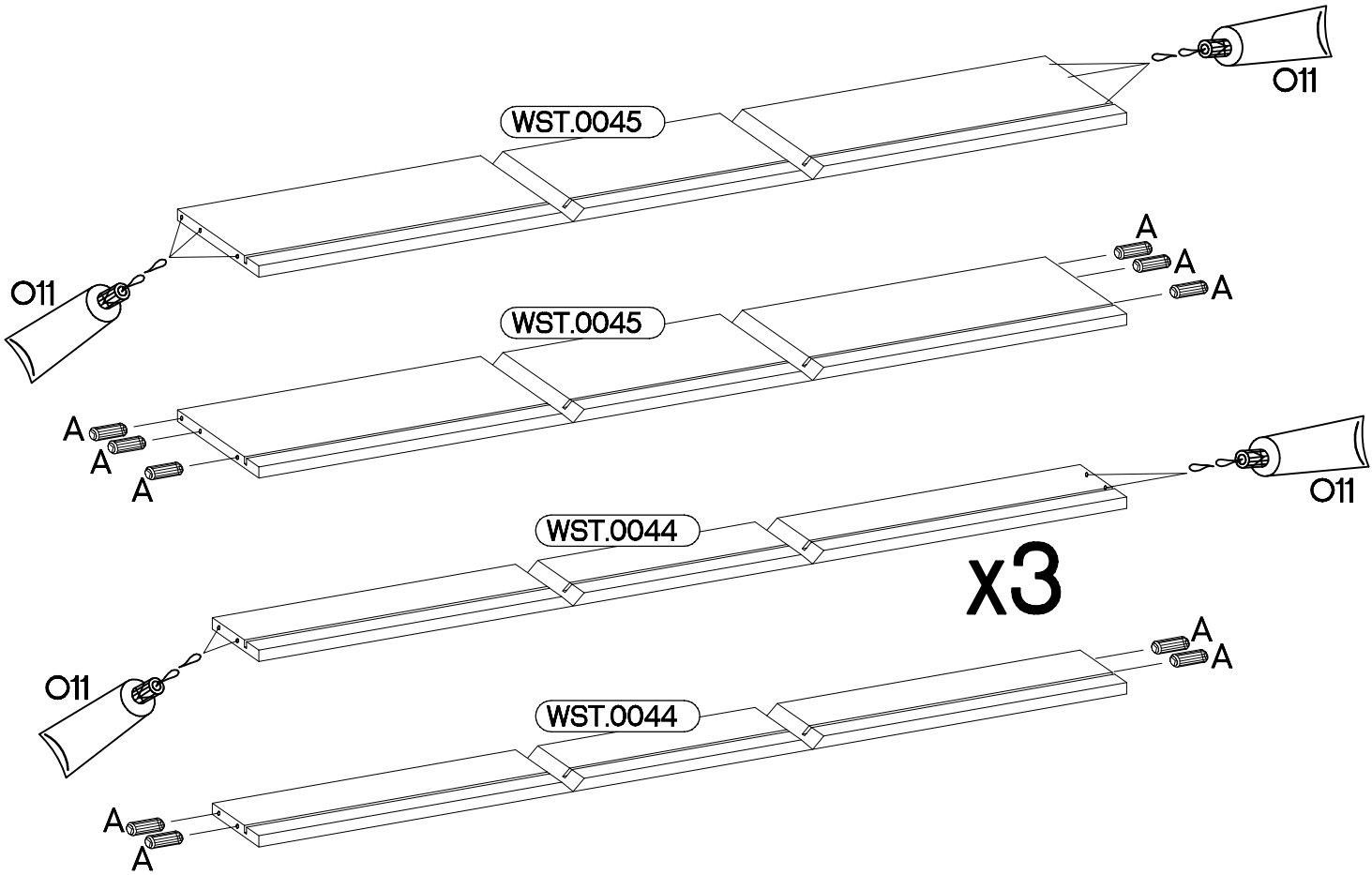
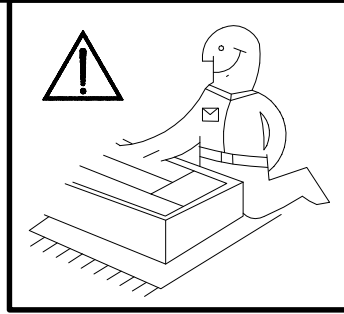
<p>†8x30mm A 26</p>	<p>6,4 x 50mm B 8</p>	<p>E1 8</p>	<p>E9 2</p>	<p>6.5x48x16 F2 4</p>	<p>L=450mm I5 4</p>
<p>†5.0x13mm M 24</p>	<p>O 1</p>	<p>O11 1</p>	<p>†4.0x45mm P4 2</p>	<p>†3.5x13mm P5 32</p>	<p>†3.5x20mm P6 12</p>
<p>†3.0x20mm P7 8-10</p>	<p>†4.0x35mm R3 4</p>	<p>S23 4</p>	<p>M4x22mm U 8</p>	<p>Z3 4</p>	<p>Z4 4</p>




ISM-KUH-00918

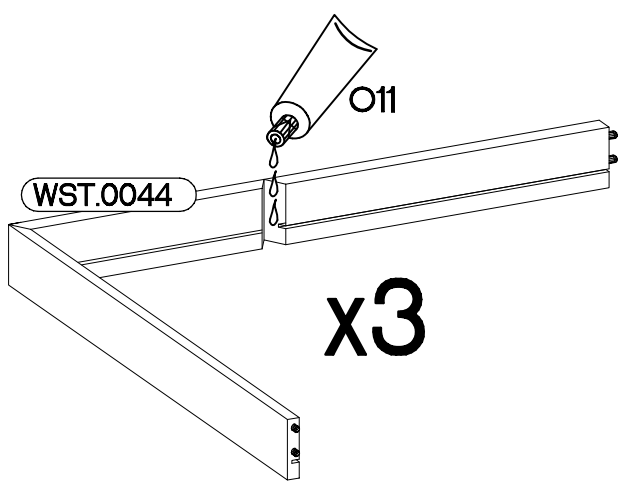
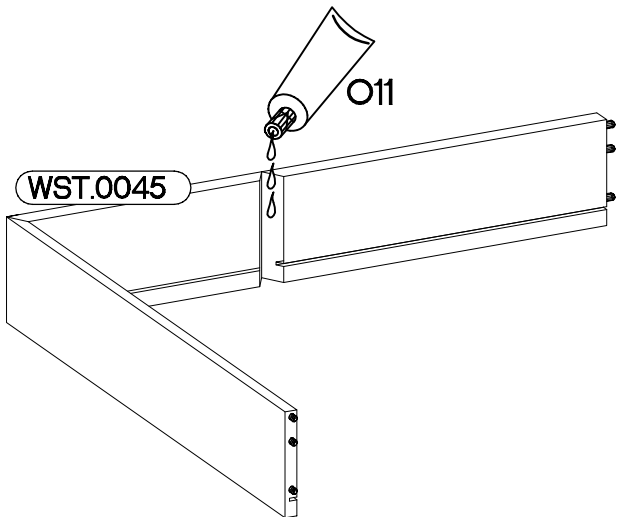
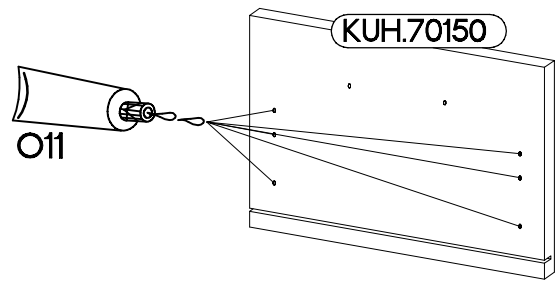
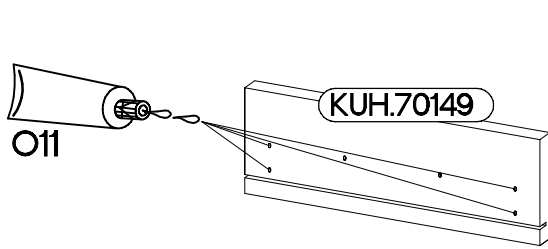
1

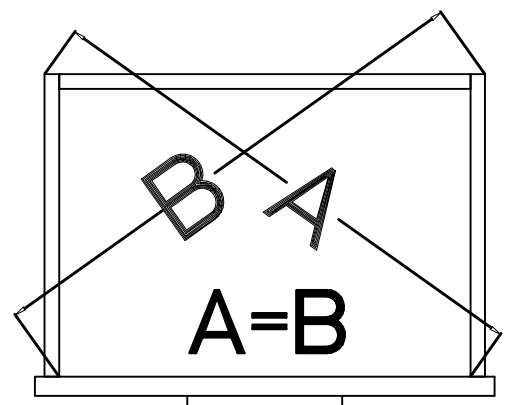
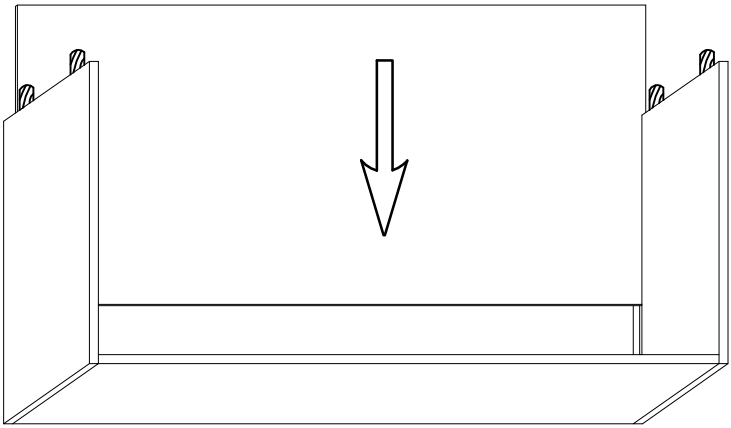
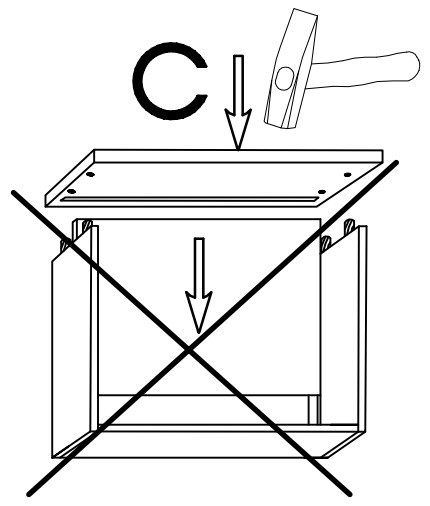
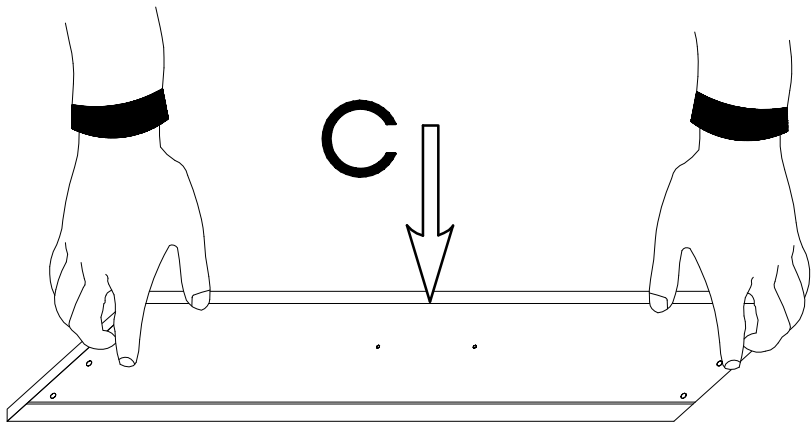
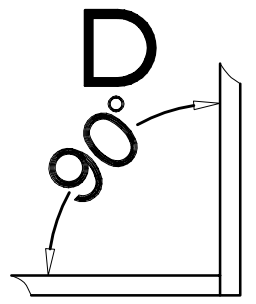
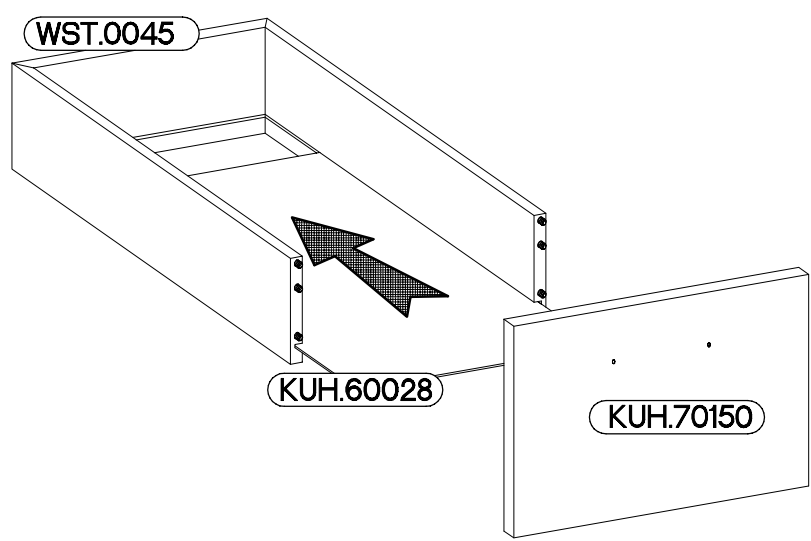
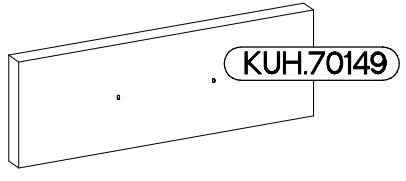
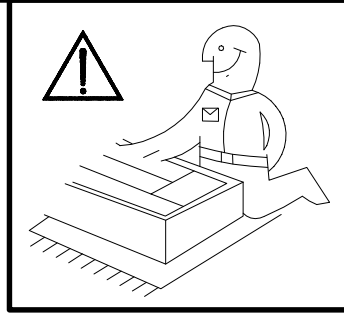
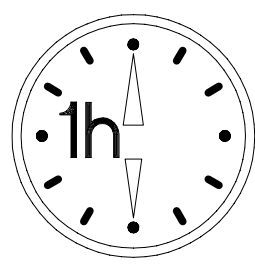
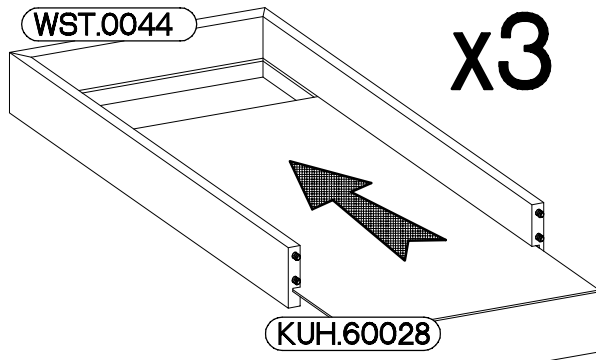
†8x30mm  A 18	0,05  O11 1
--	--



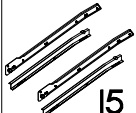


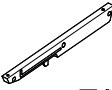

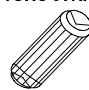
2

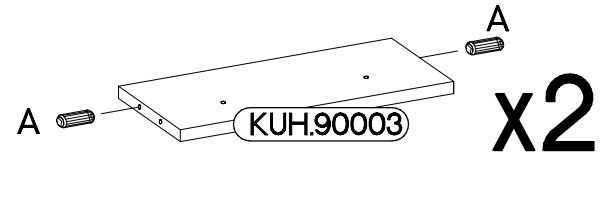
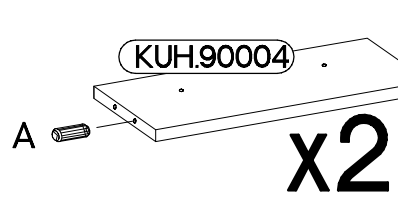
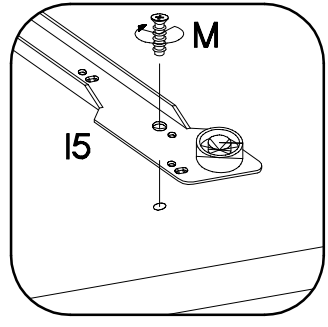
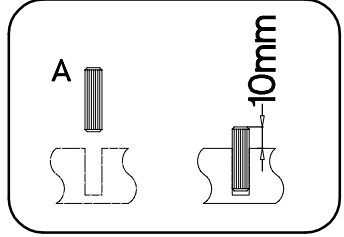
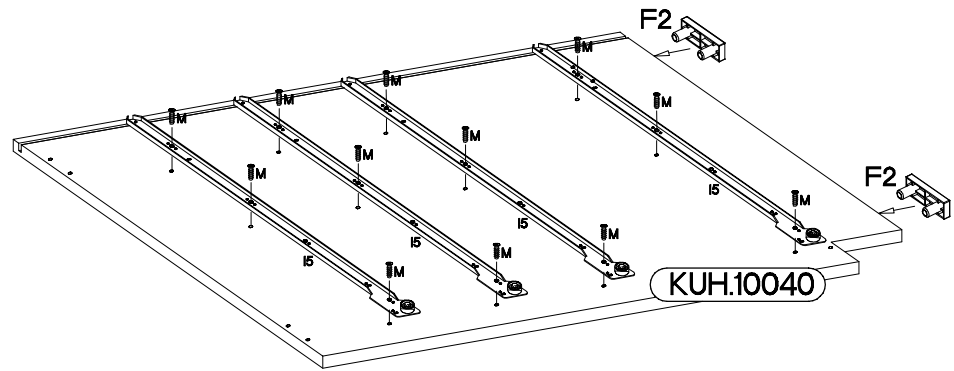
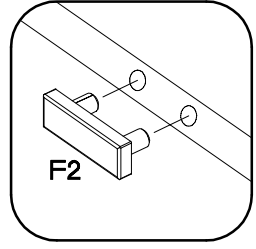
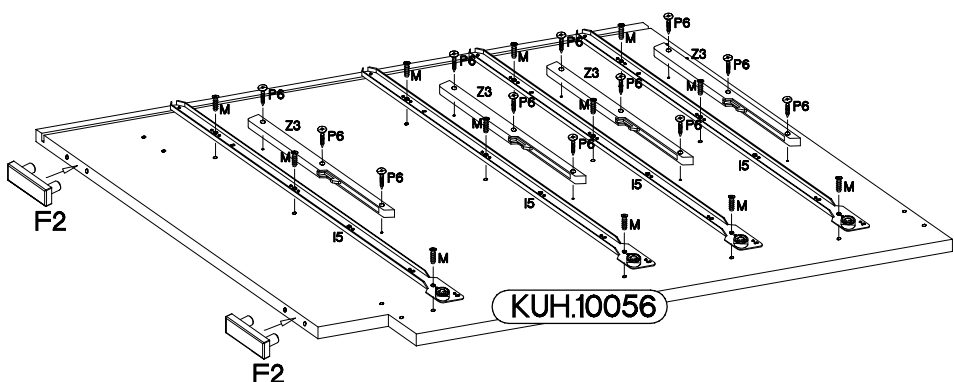
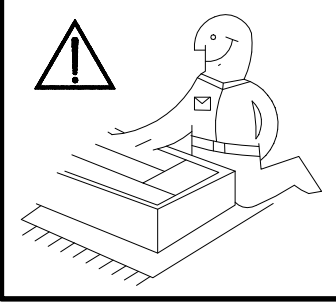
0,05  O11 1
---




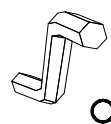



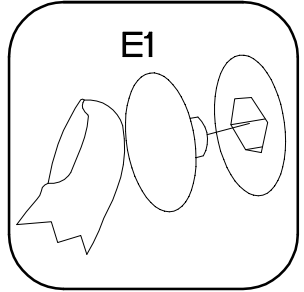
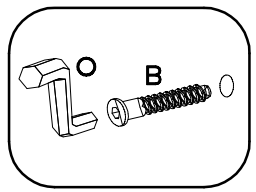
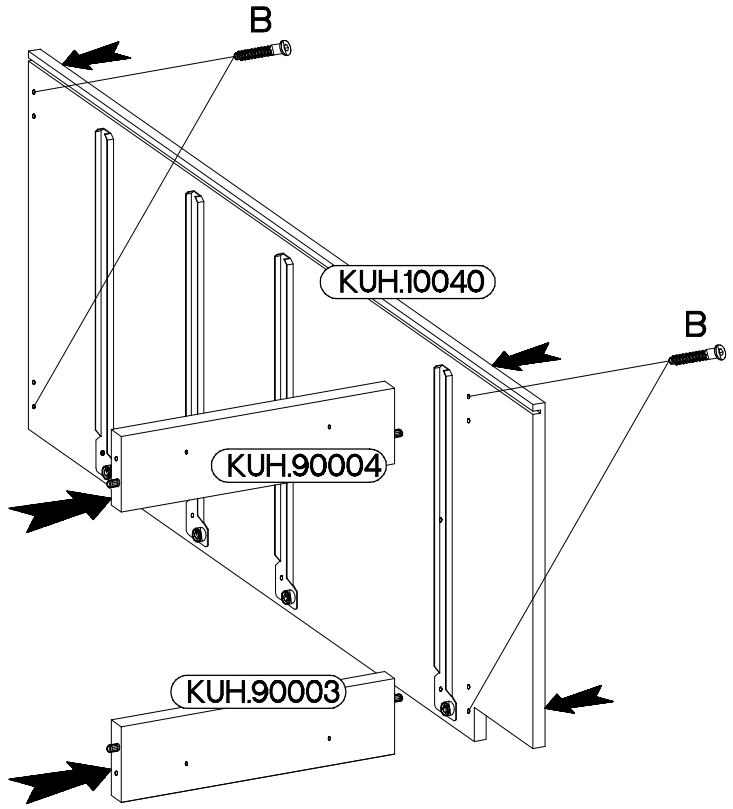
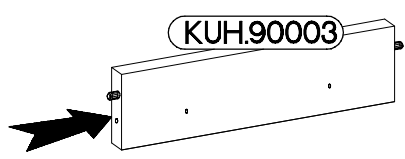
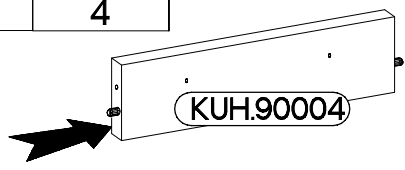
4

L=450mm  I5 4	±5.0x13mm  M 24	6.5x48x16  F2 4	 Z3 4	±3.5x20mm  P6 12	±8x30mm  A 8
--	--	--	---	---	---



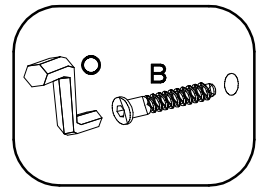
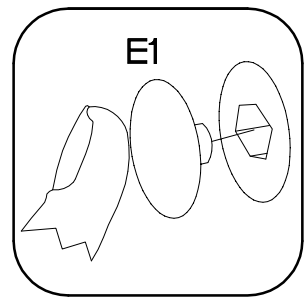
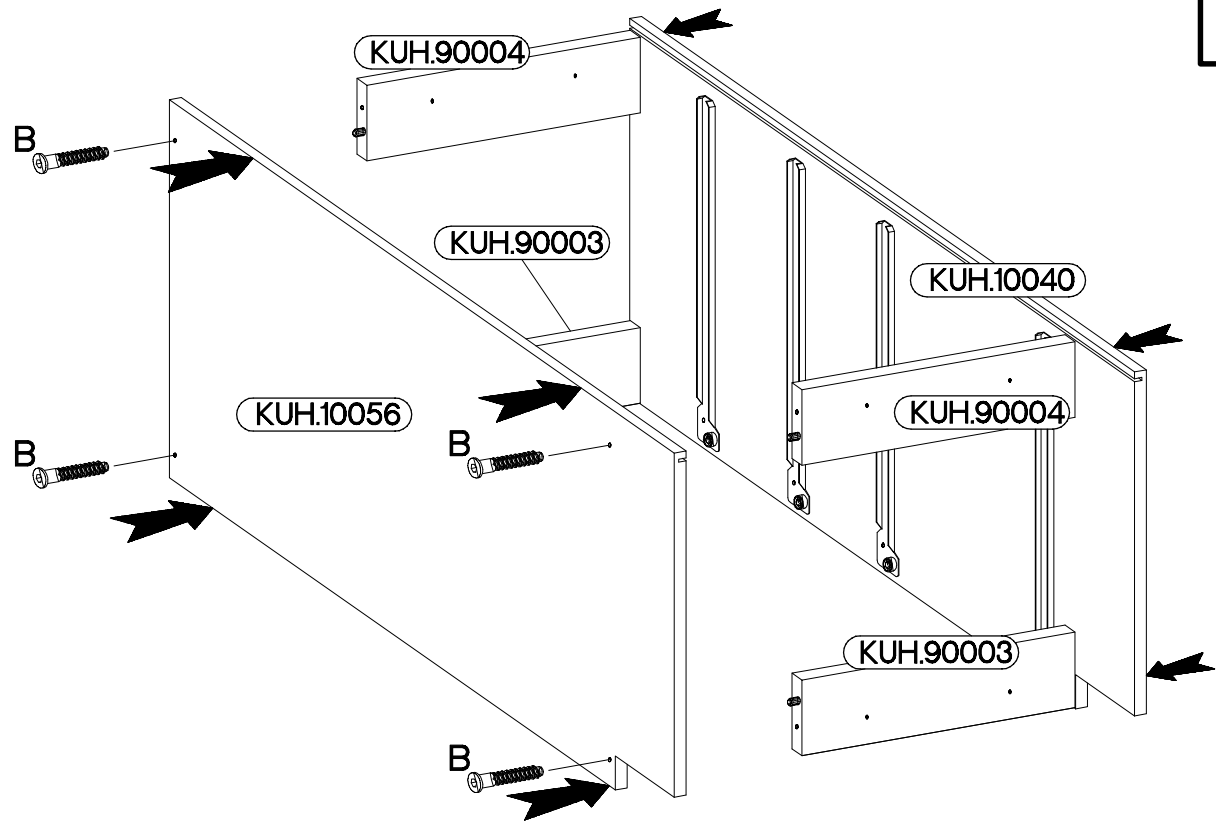
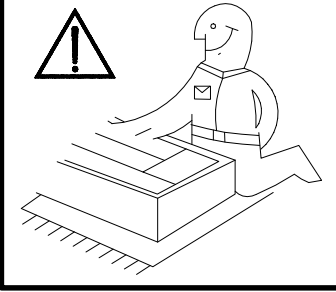
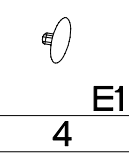
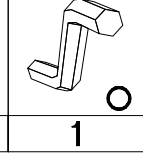
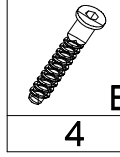
5

6,4 x 50mm  B 4	 O 1	 E1 4
---	---	--

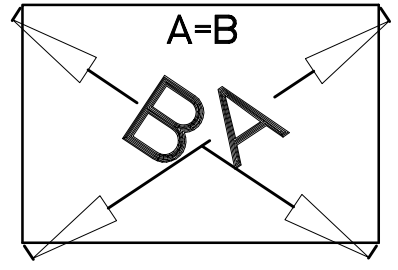
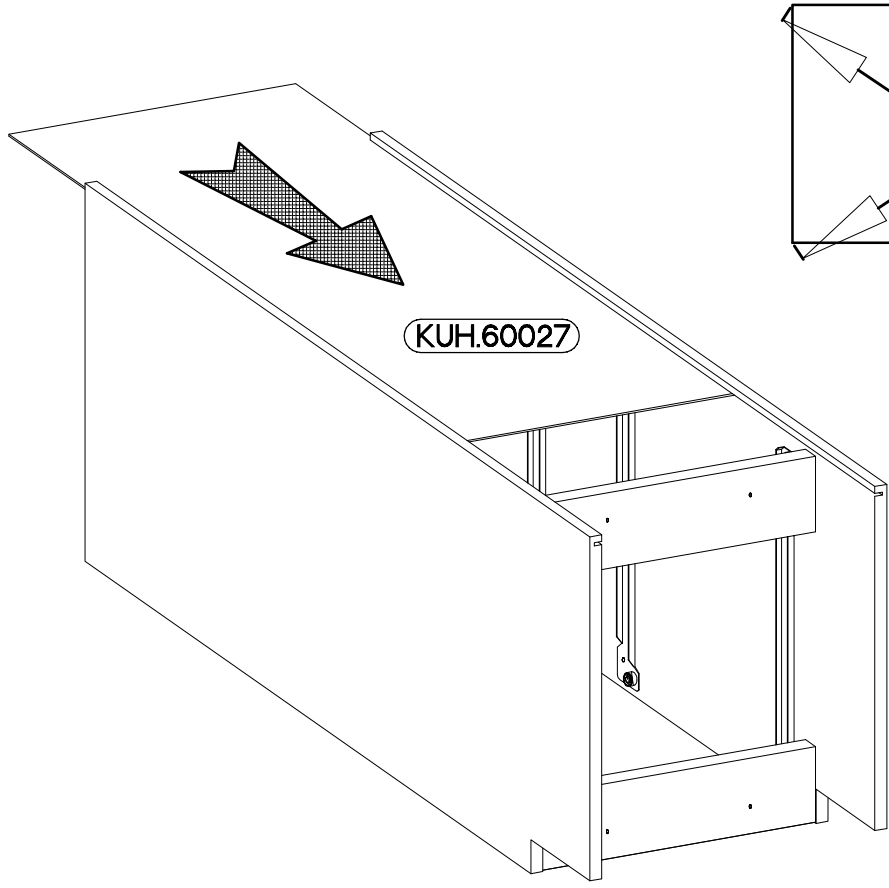


6


6,4 x 50mm

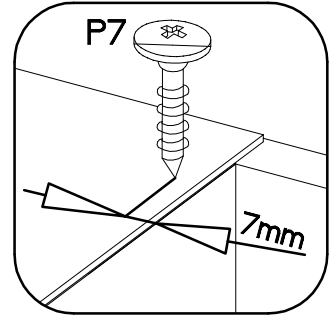
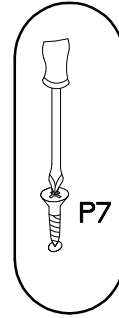
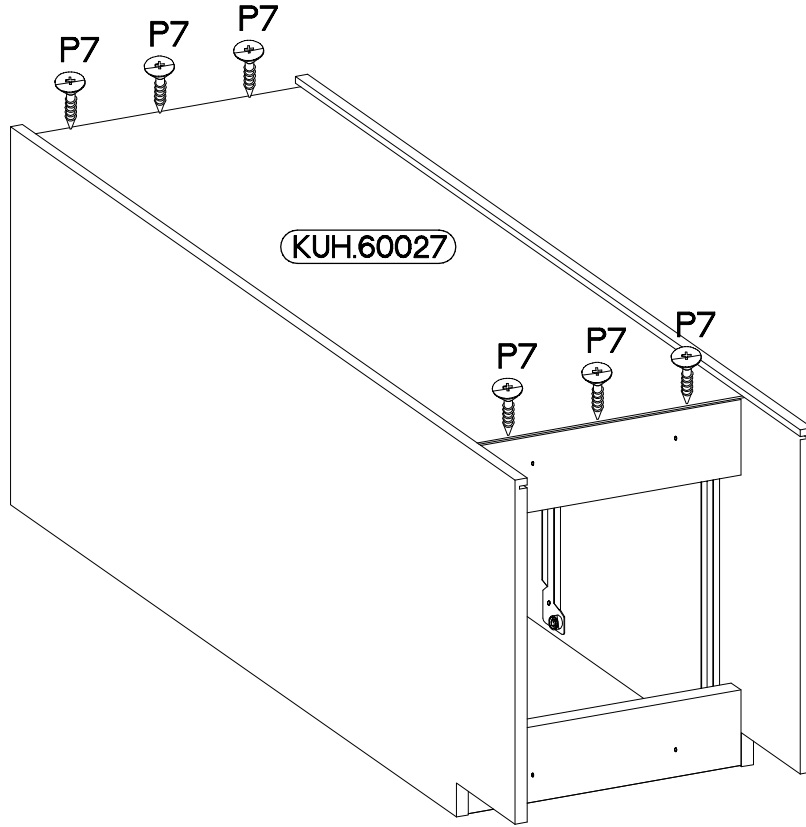
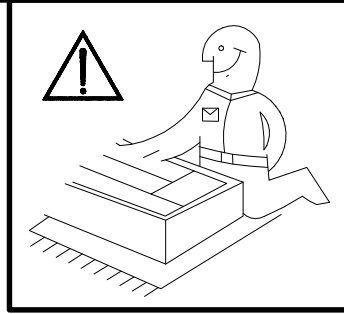


7

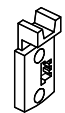



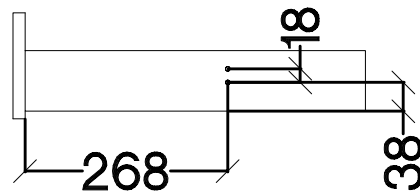
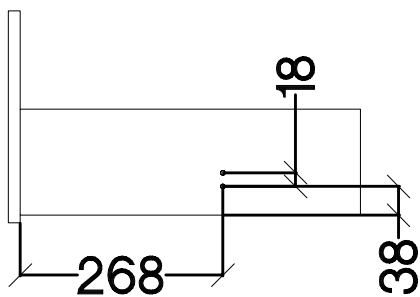
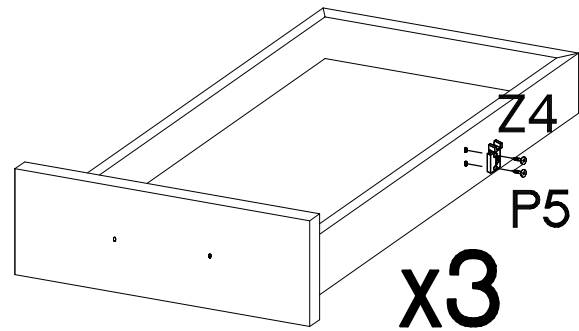
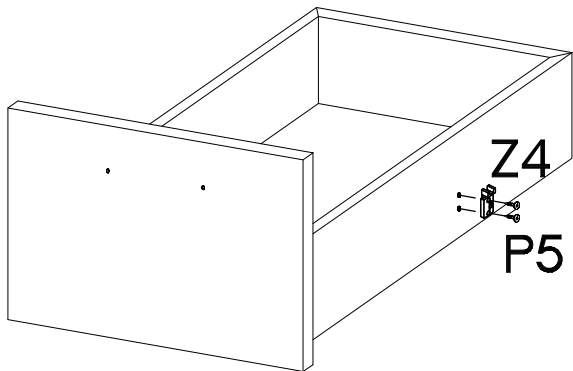
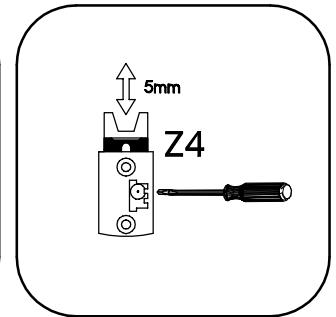
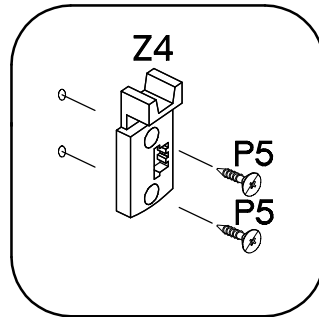
8

±3.0x20mm

P7
8-10





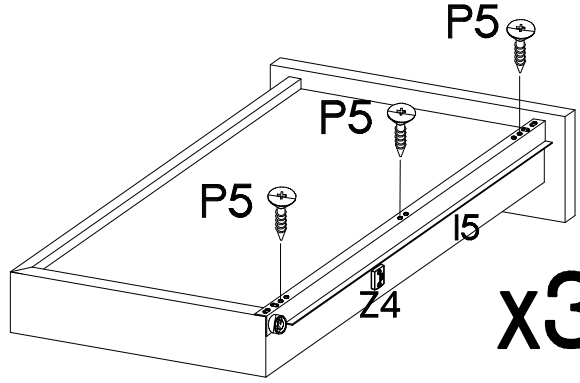
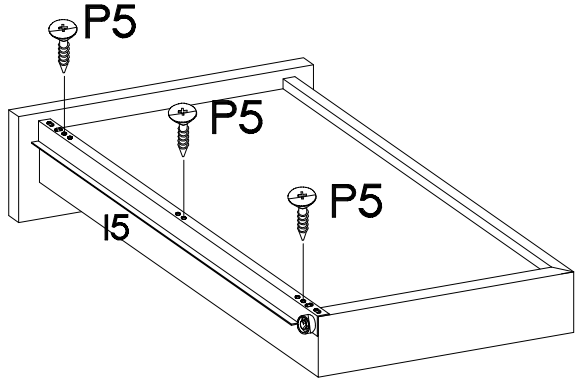
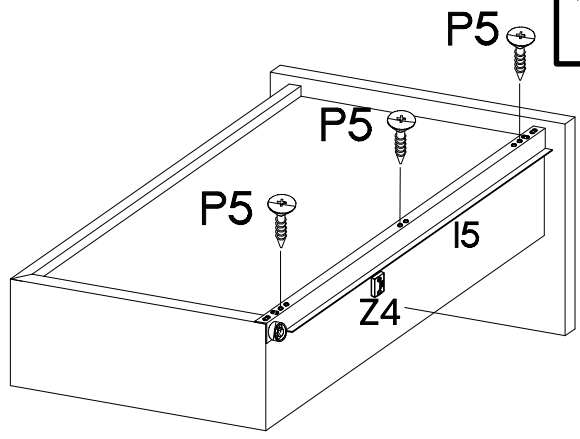
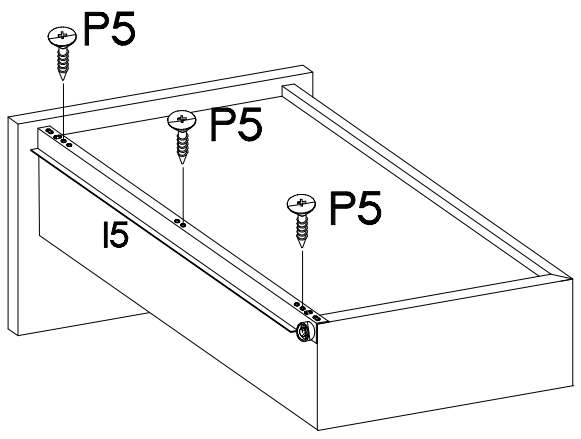
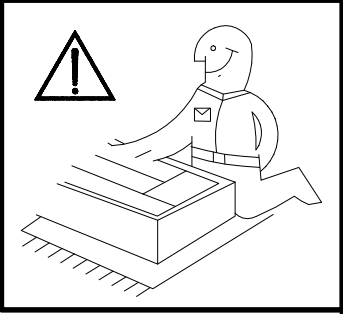
9

±3.5x13mm	
	Z4
8	4




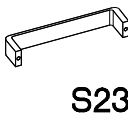
# 10

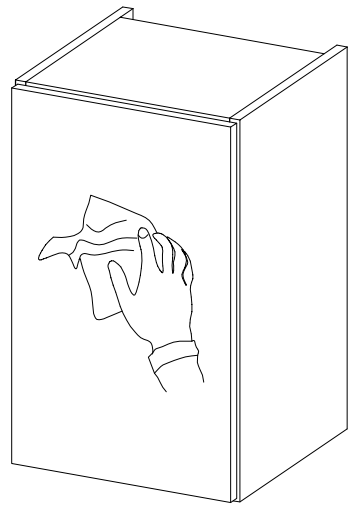
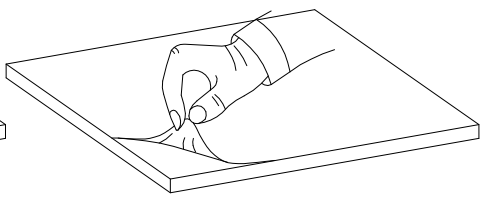
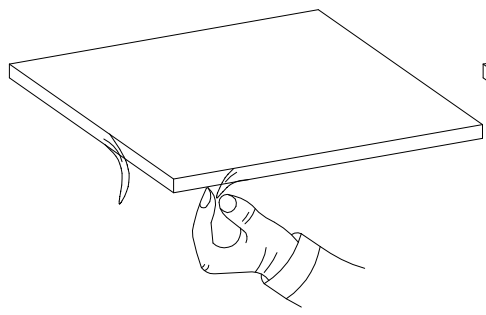
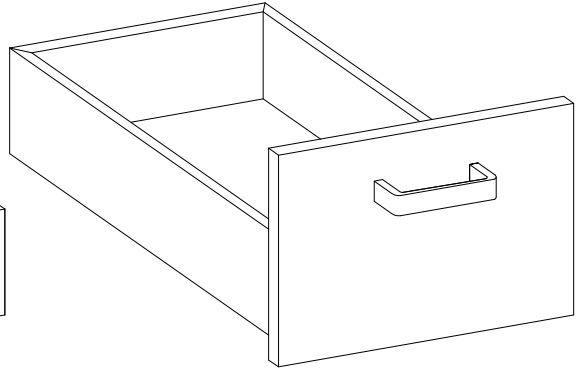
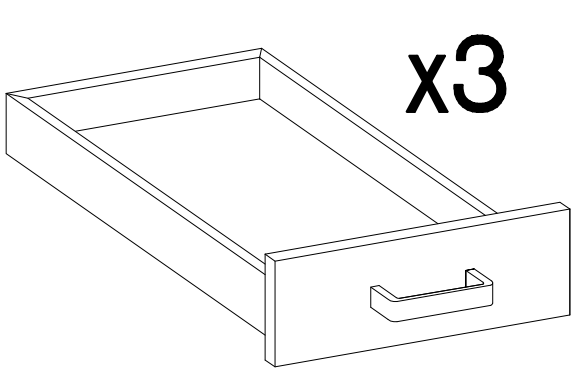
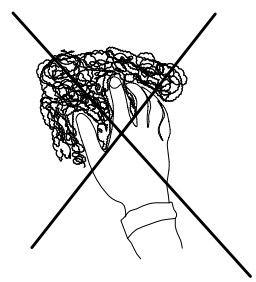
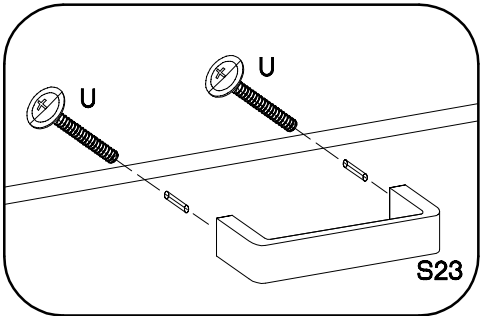
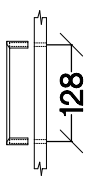
L=450mm  I5 4	+3.5x13mm  P5 24
--	---





# x3

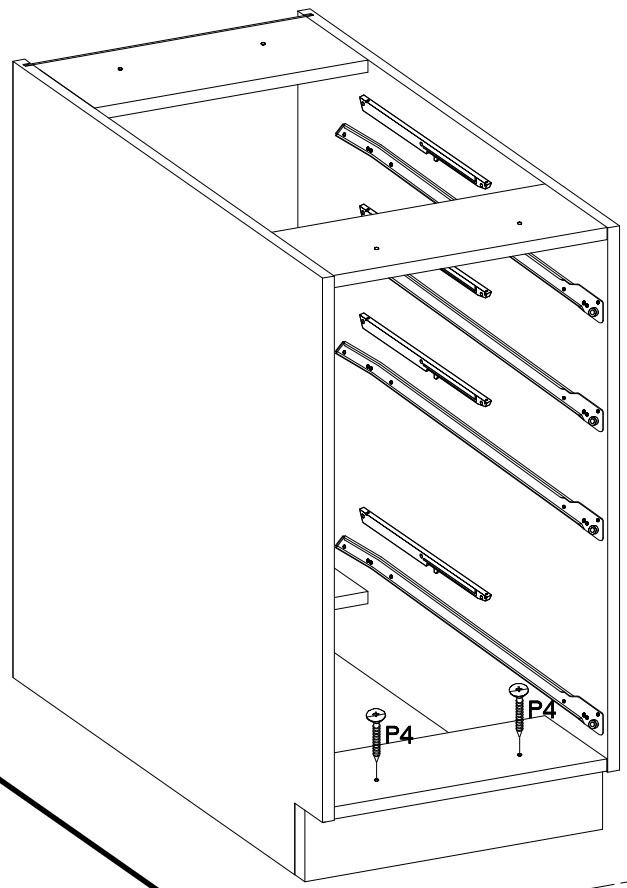
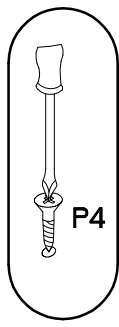
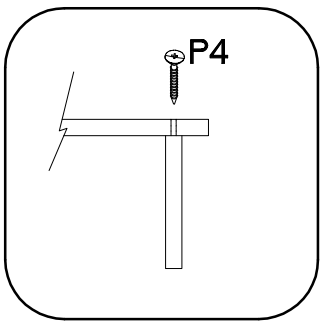
# 11

M4x22mm  U 8	 S23 4
--	---

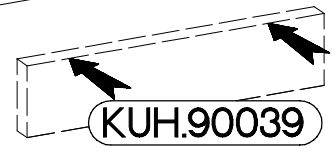
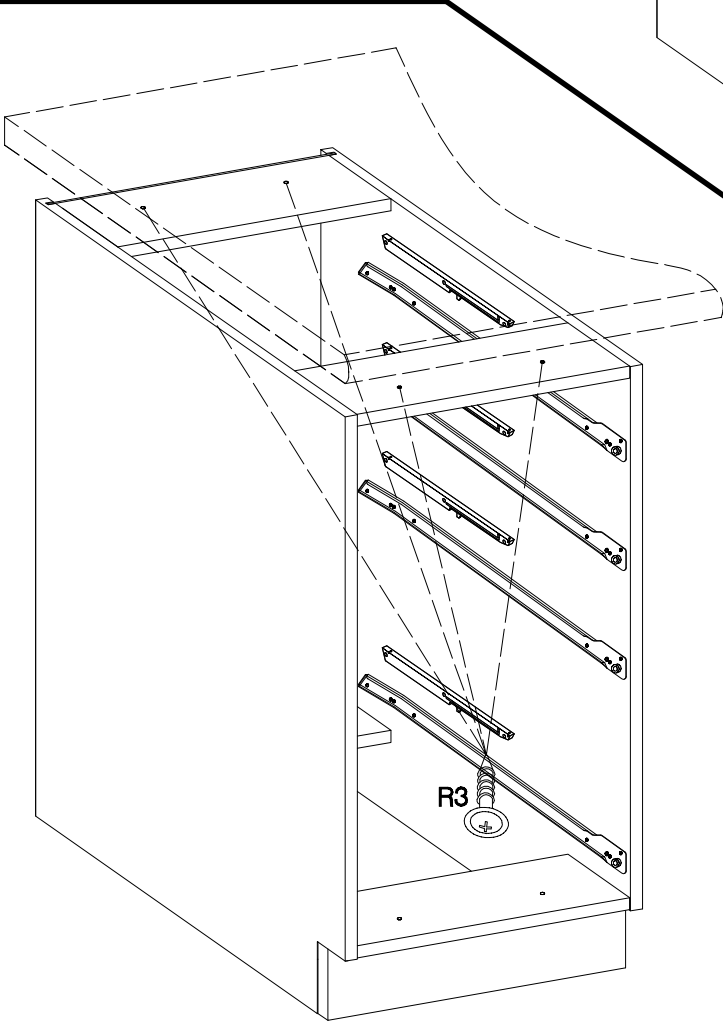



12

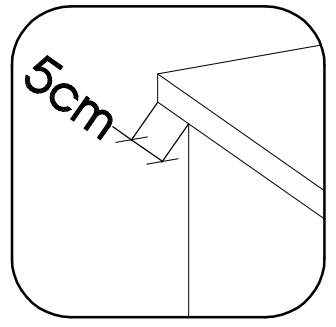
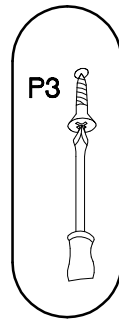
$\pm 4.0 \times 45 \text{mm}$  <b>P4</b> 2	 <b>E9</b> 2
---	--



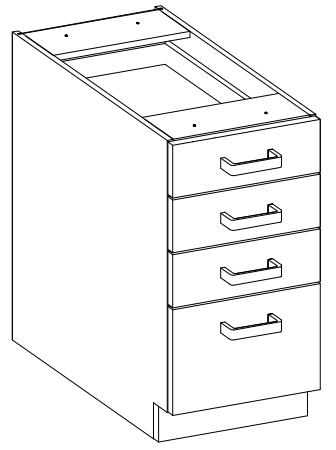
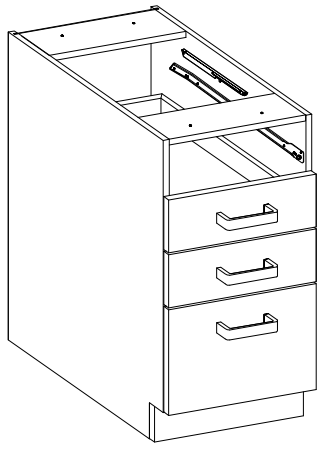
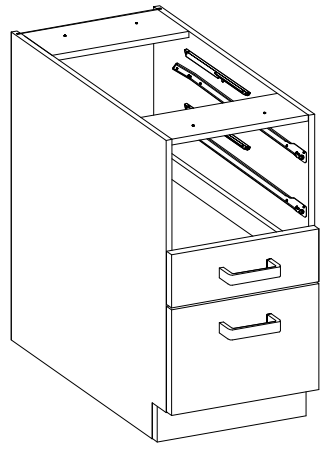
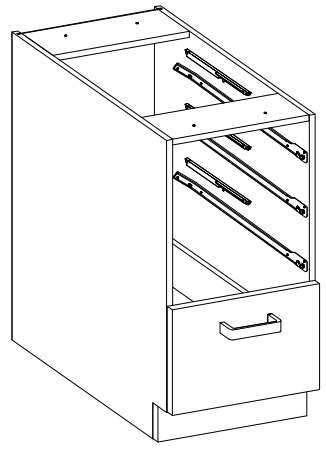
13



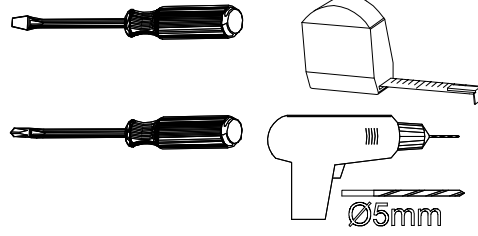
$\pm 4.0 \times 35 \text{mm}$  <b>R3</b> 4
--



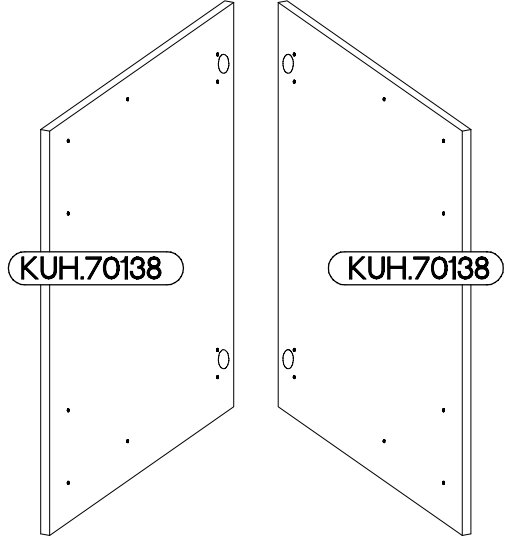
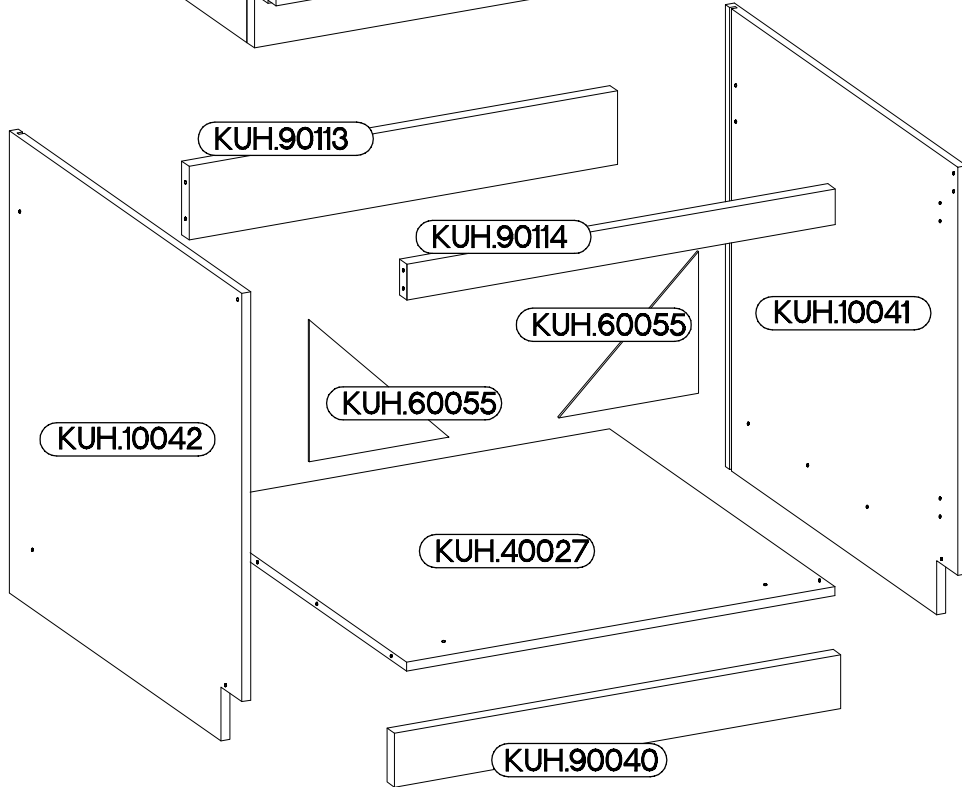
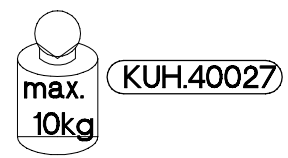
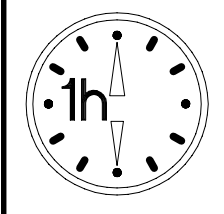
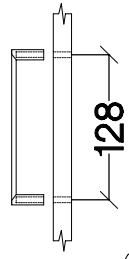
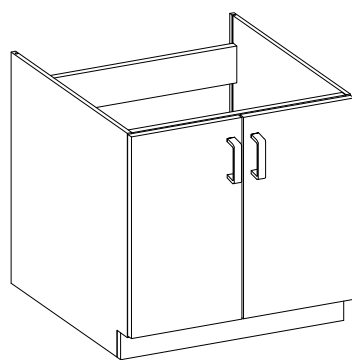
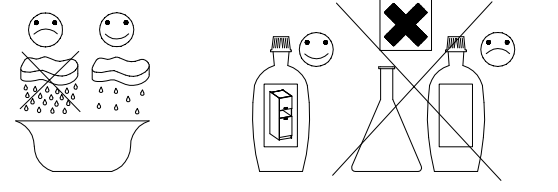
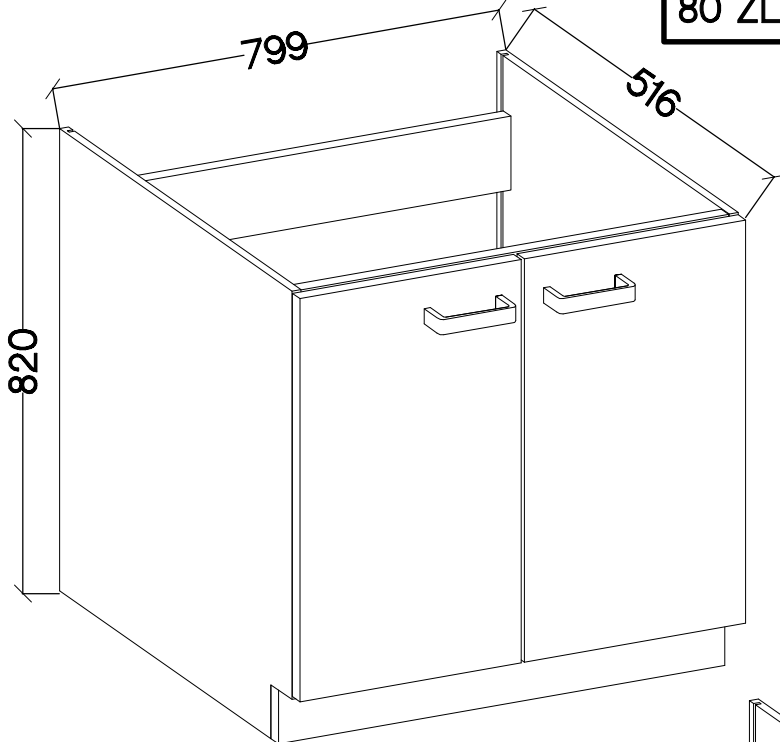
13



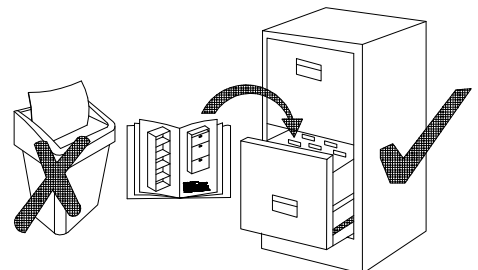




80 ZL 2F BB

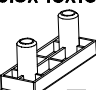
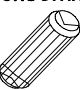
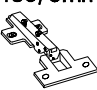



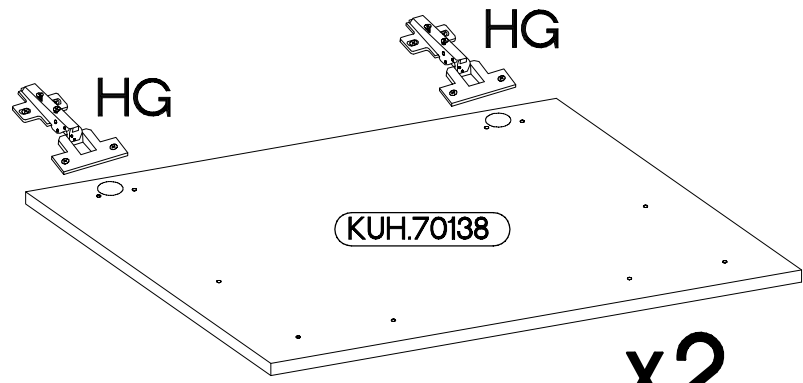
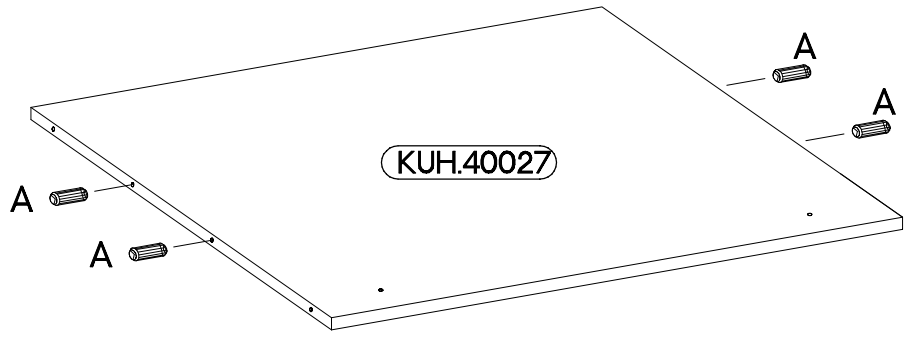
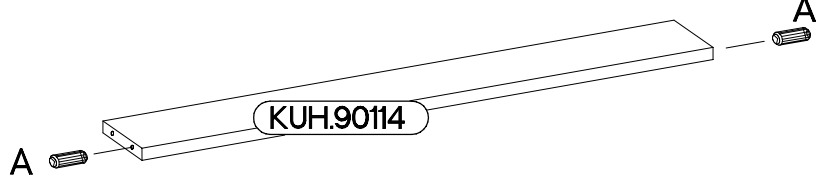
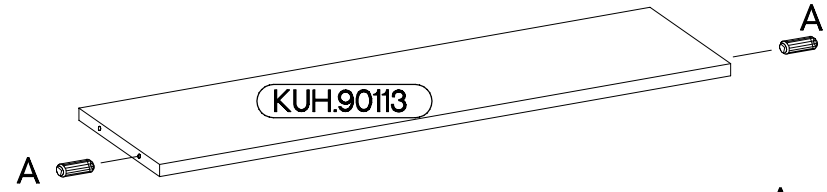
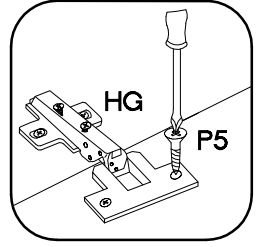
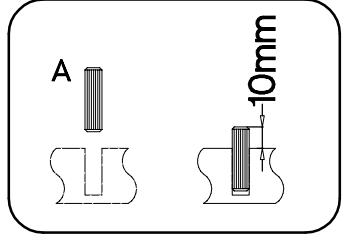
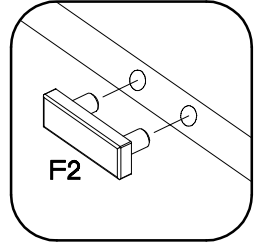
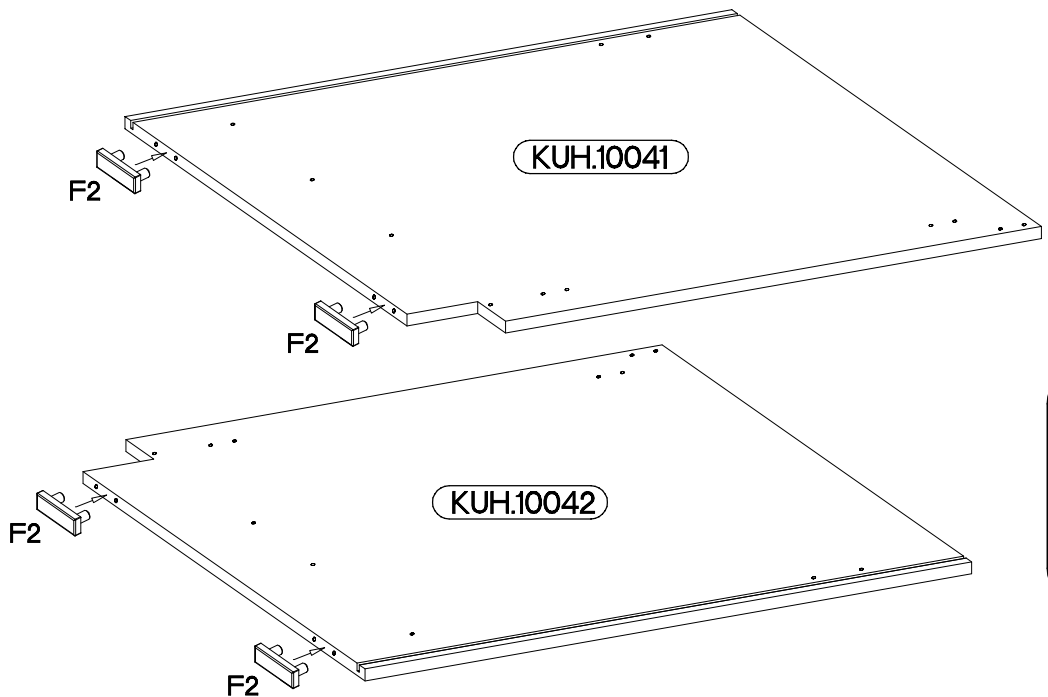
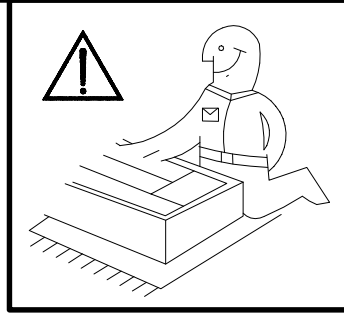
 <b>±8x30mm</b> <b>A</b> <b>8</b>	 <b>6,4 x 50mm</b> <b>B</b> <b>8</b>	 <b>E1</b> <b>8</b>	 <b>E9</b> <b>2</b>	 <b>6.5x48x16</b> <b>F2</b> <b>4</b>	 <b>±35/0mm</b> <b>HG</b> <b>4</b>
 <b>O</b> <b>1</b>	 <b>±4.0x45mm</b> <b>P4</b> <b>2</b>	 <b>±3.5x13mm</b> <b>P5</b> <b>8</b>	 <b>±3.0x20mm</b> <b>P7</b> <b>4</b>	 <b>S23</b> <b>2</b>	 <b>M4x22mm</b> <b>U</b> <b>4</b>



ISM-KUH-00927

1

6.5x48x16  F2 4	±8x30mm  A 8	±35/0mm  HG 4	±3.5x13mm  P5 8
--	---	--	--



x2

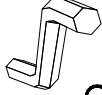
2

6,4 x 50mm



B

4



O

1



E1

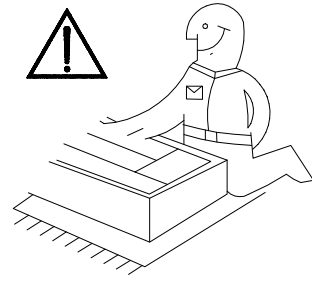
4

KUH.90113

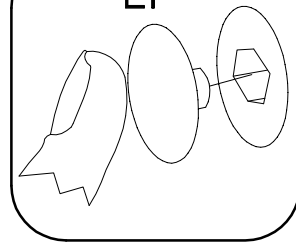
KUH.10042

KUH.90114

KUH.40027



E1



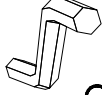
3

6,4 x 50mm



B

4



O

1



E1

4

KUH.90113

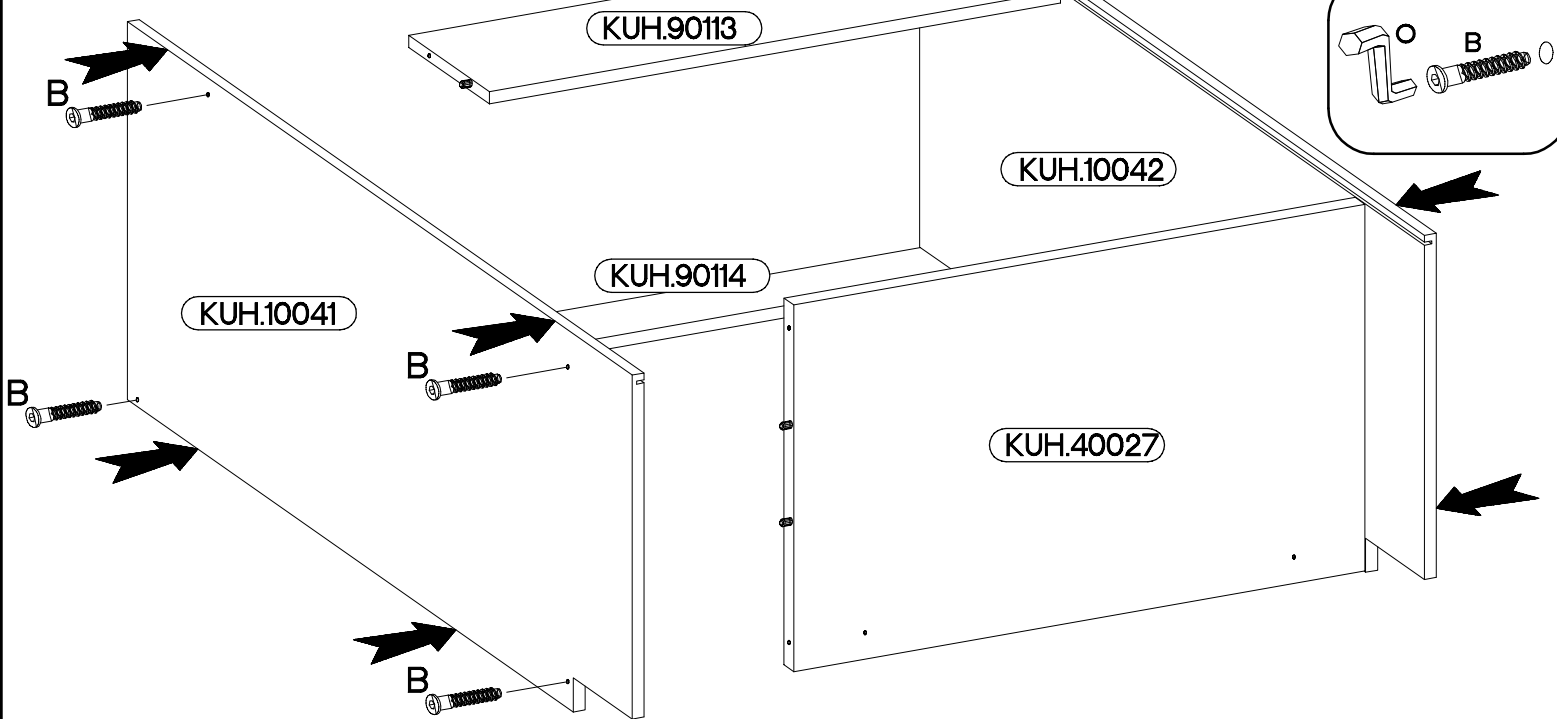
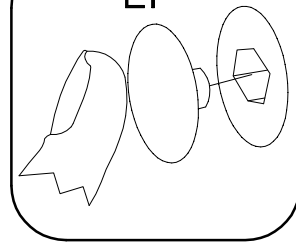
KUH.10042

KUH.10041


KUH.90114

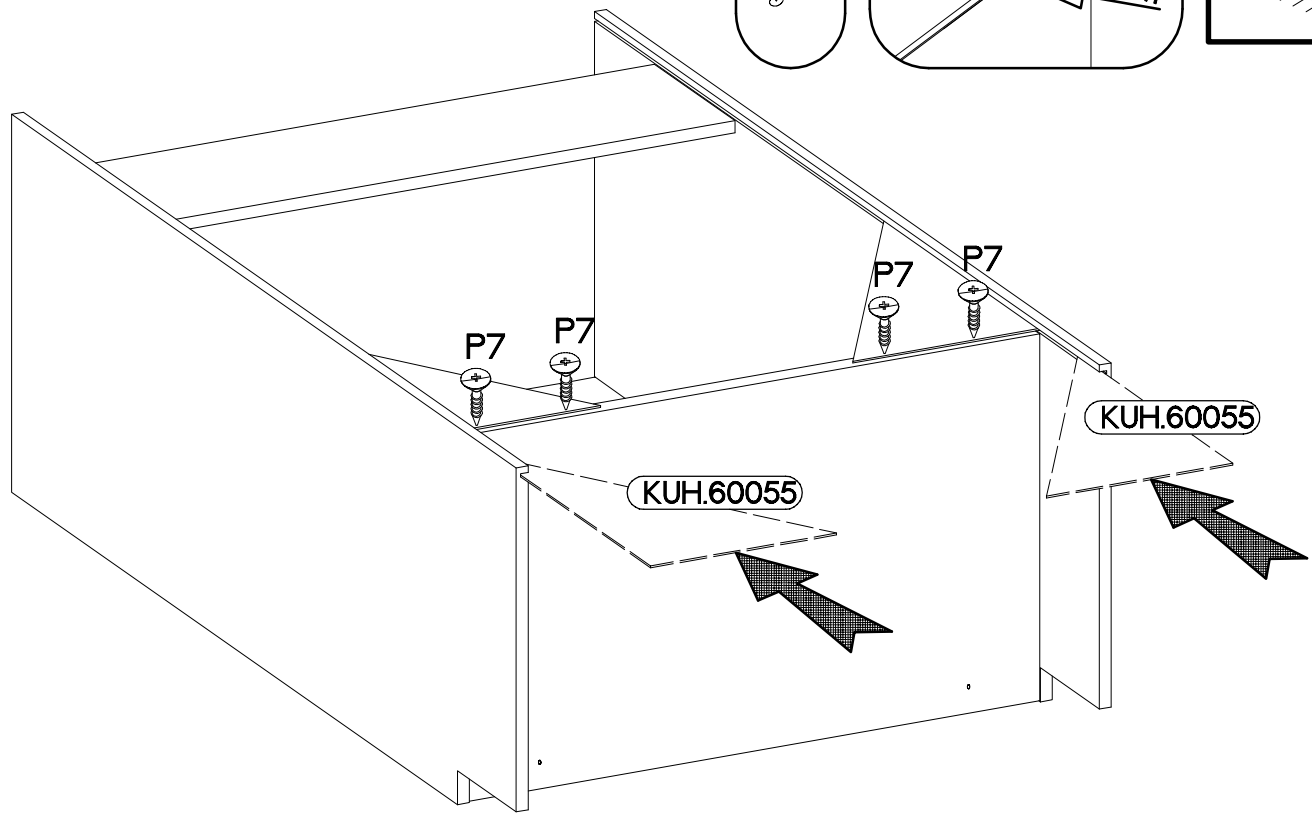
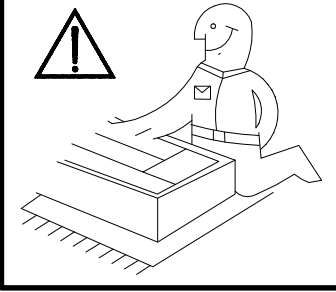
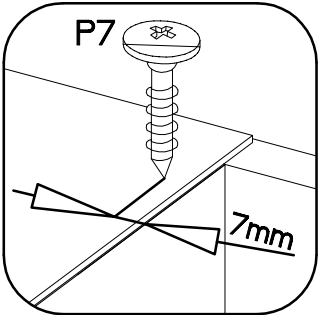
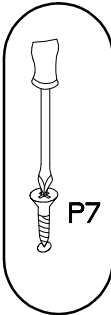
KUH.40027

E1





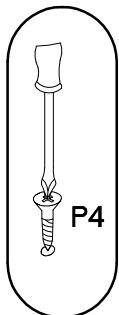
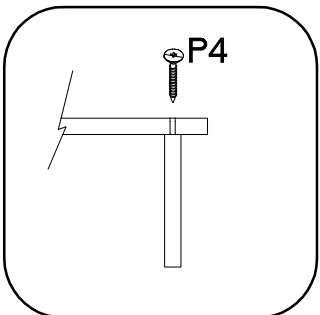
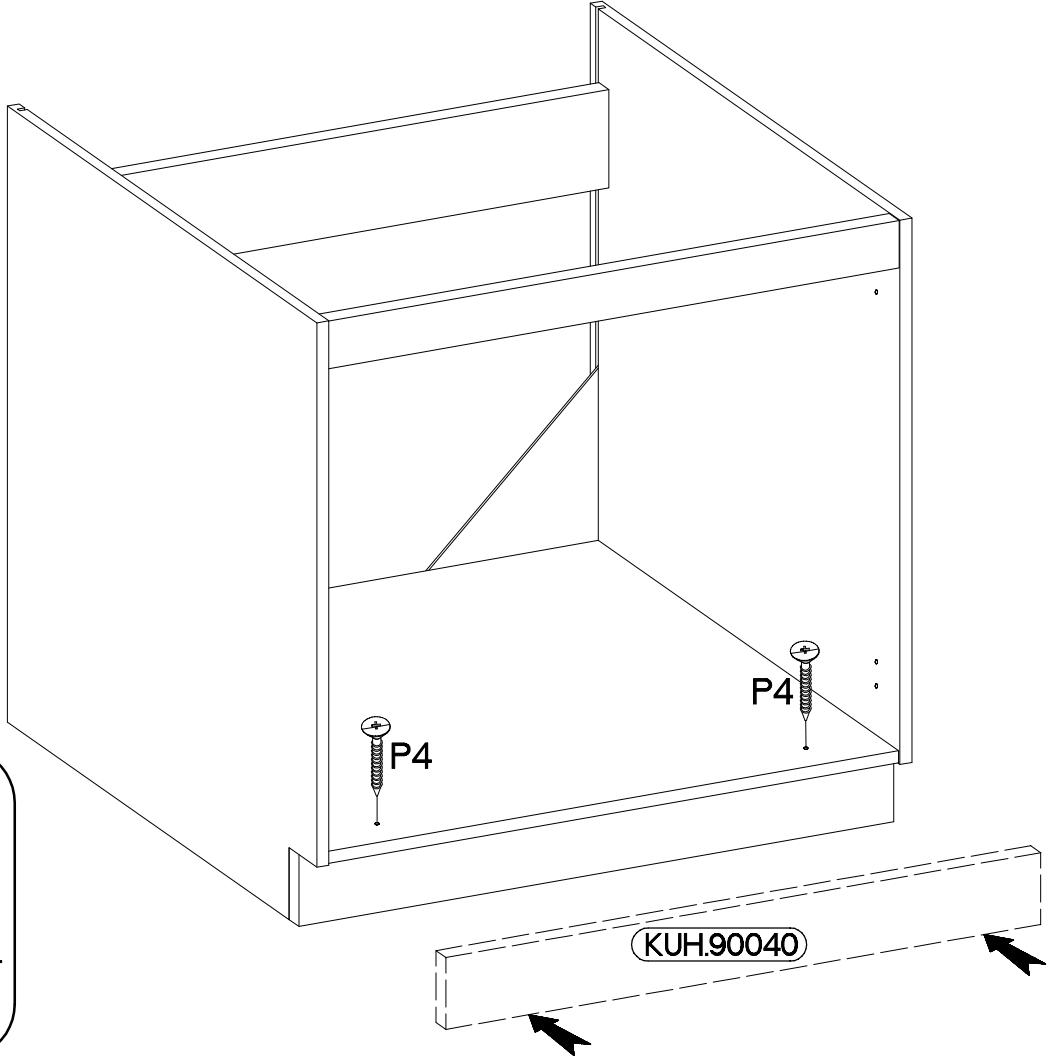
4

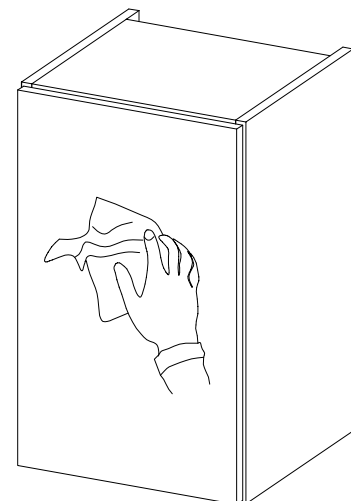
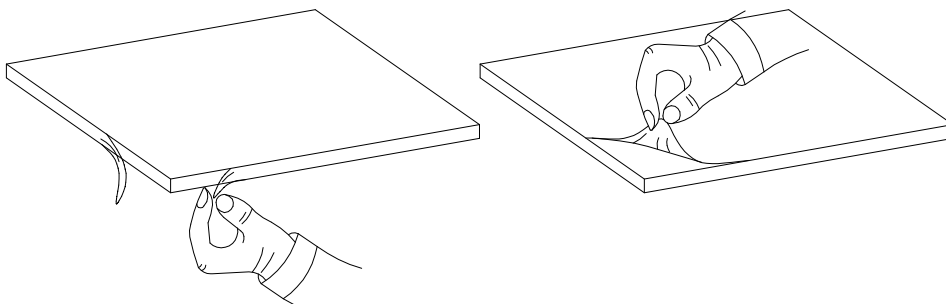
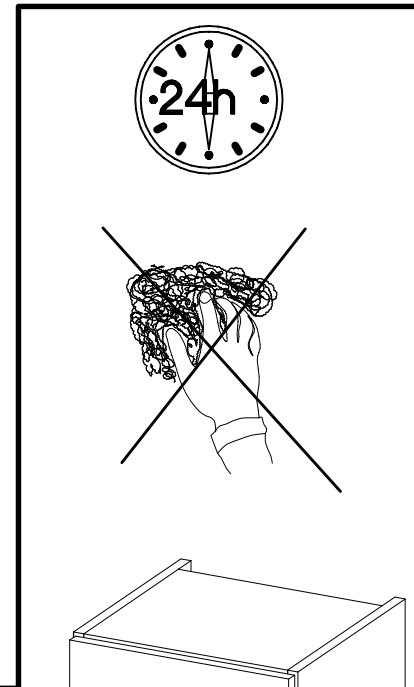
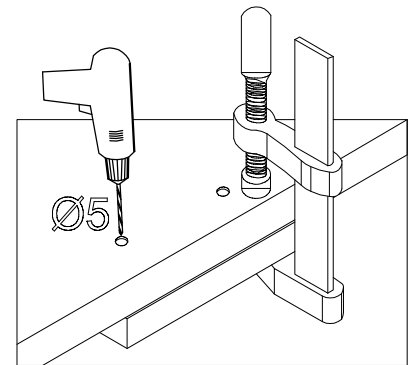
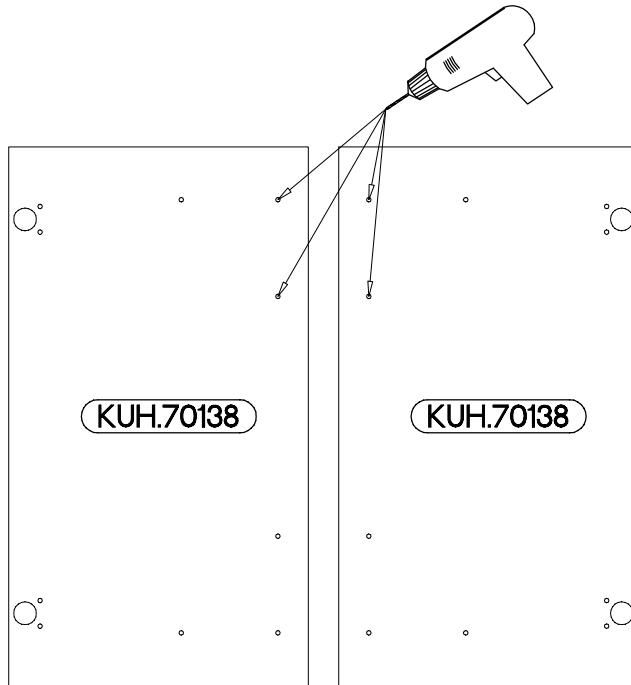
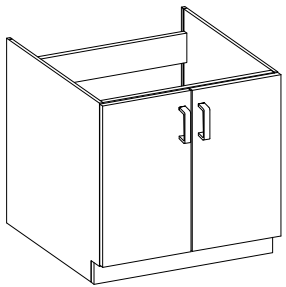
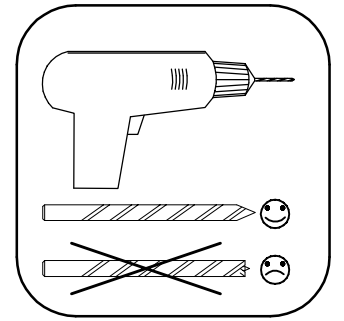
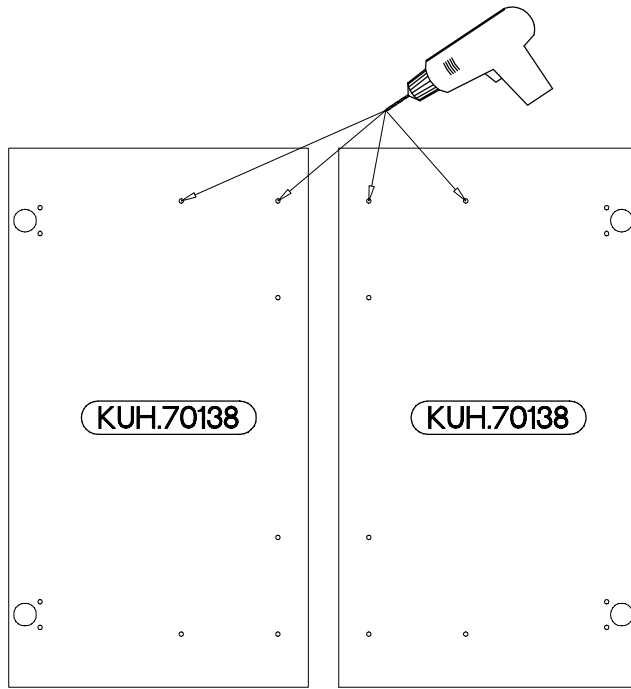
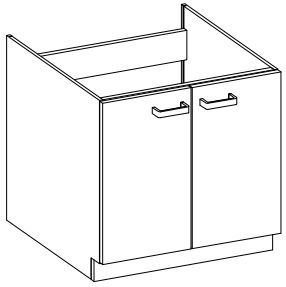
φ3.0x20mm

P7
4





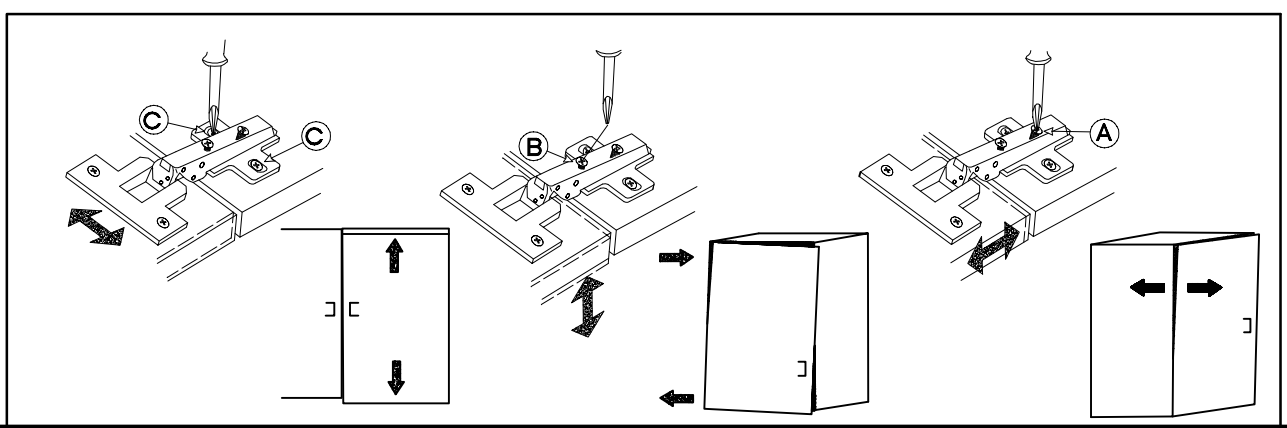
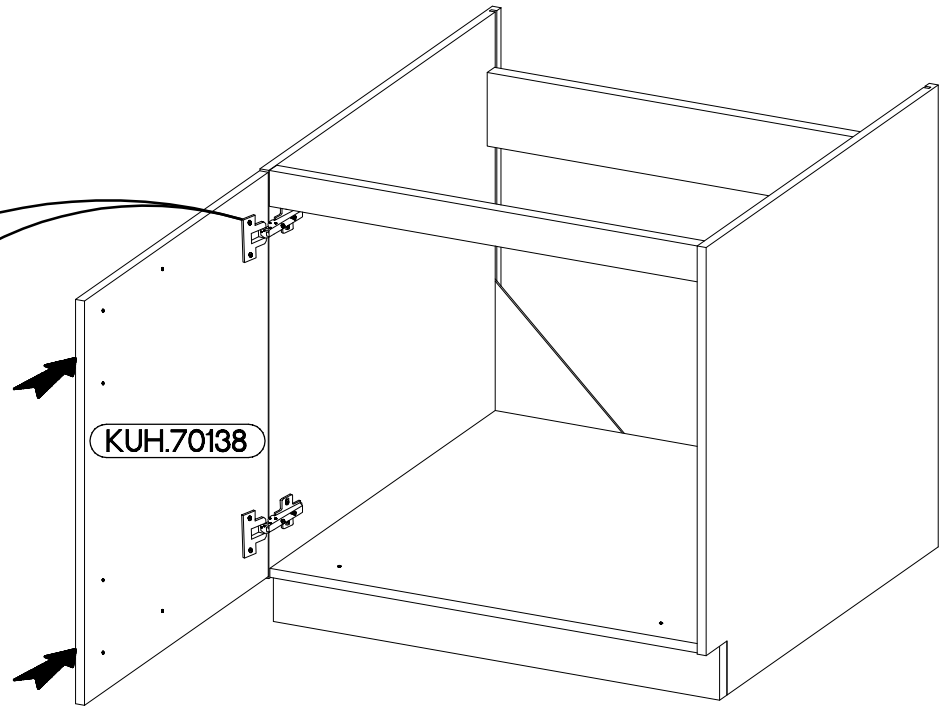
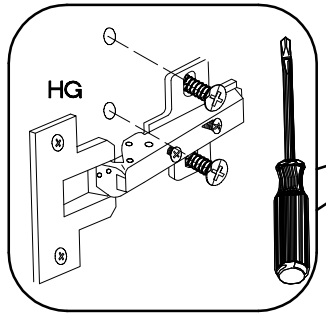
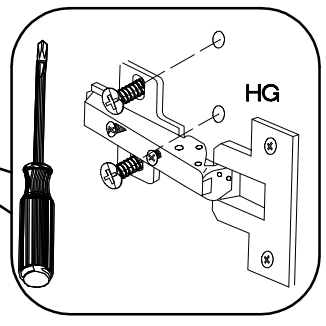
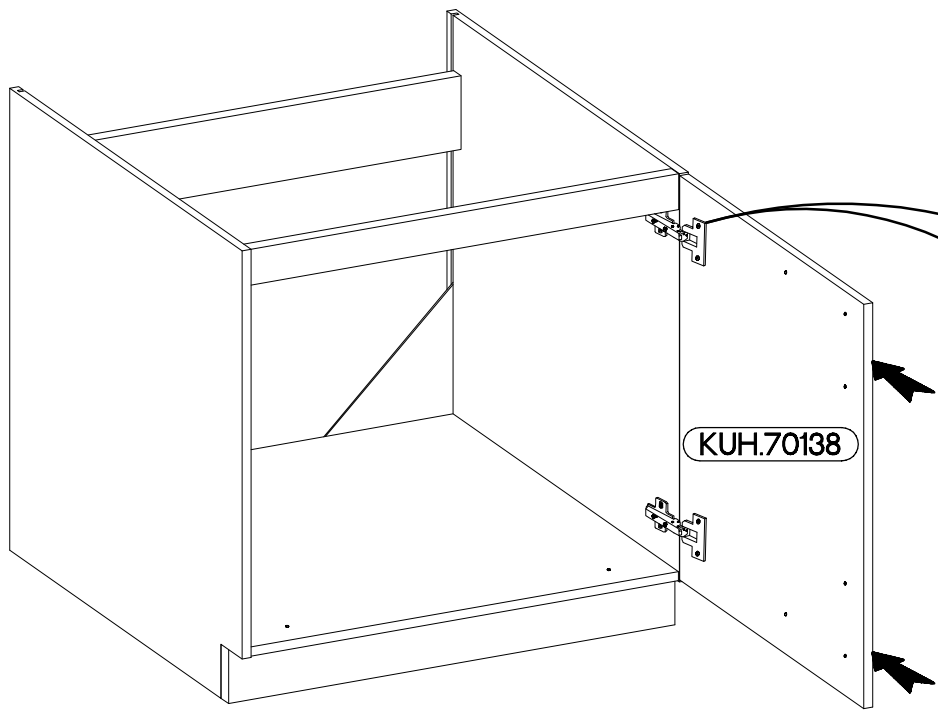
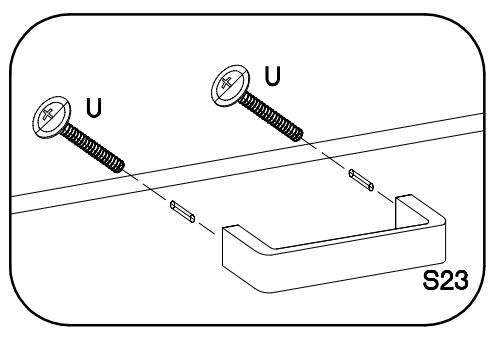
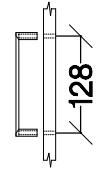
5

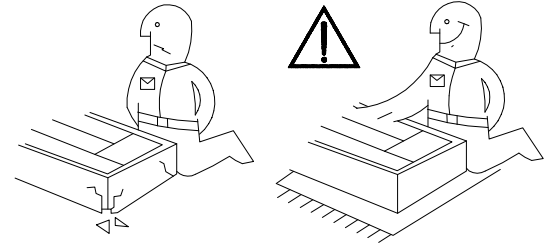
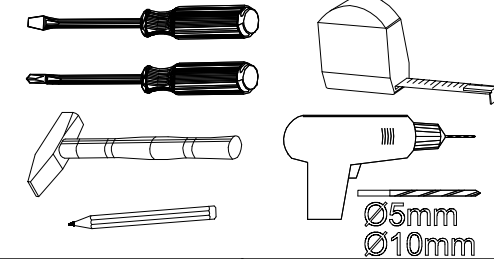
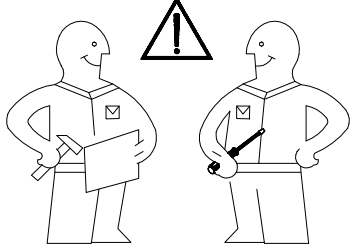
φ4.0x45mm	
	E9
2	2



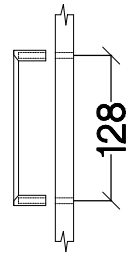
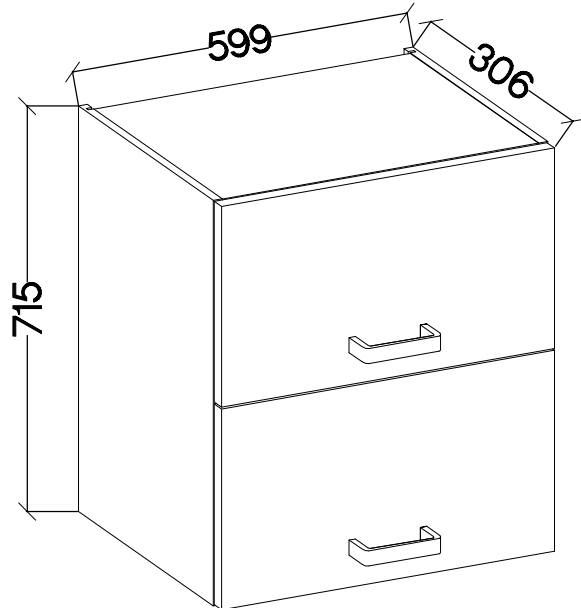
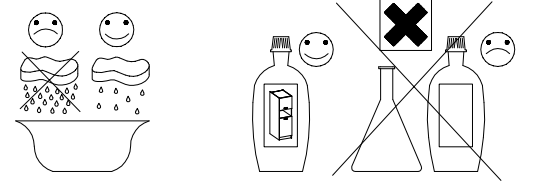


M4x22mm	
	
U	S23
4	2



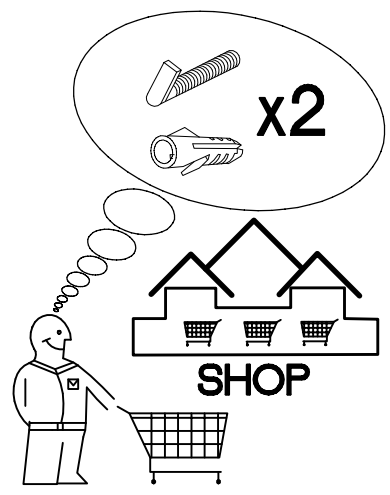
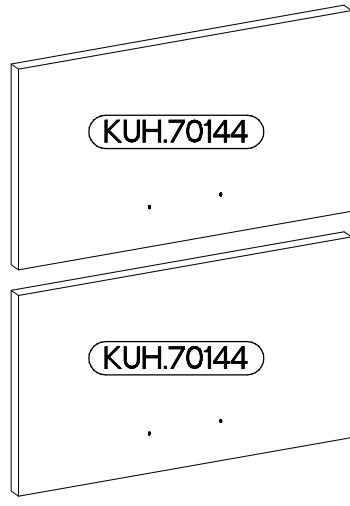
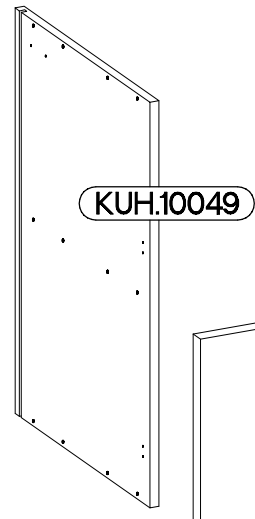
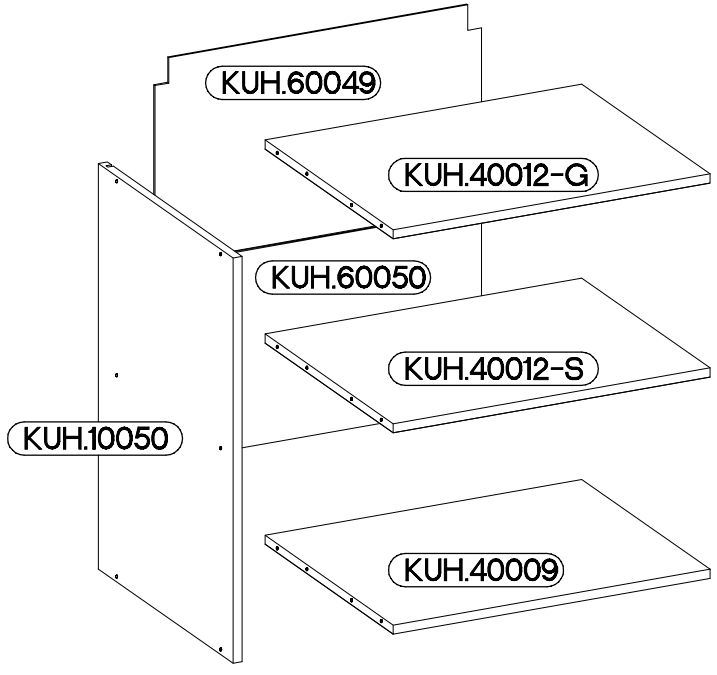


60 GU-72 2F

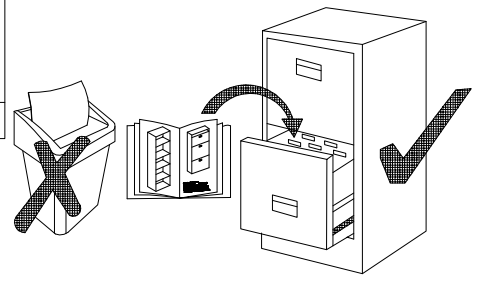


max.  
5kg

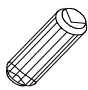
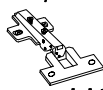


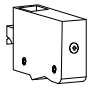
KUH.40012  
KUH.40009

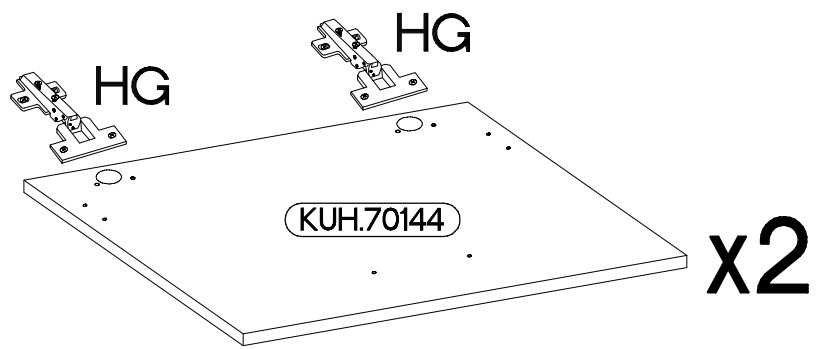
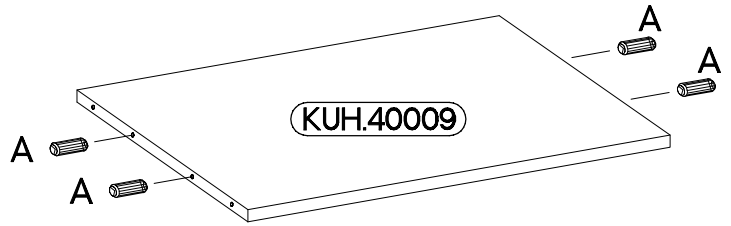
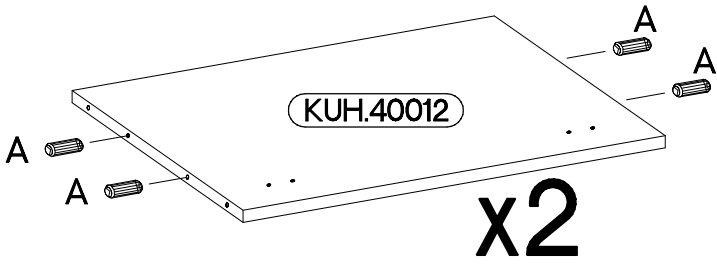
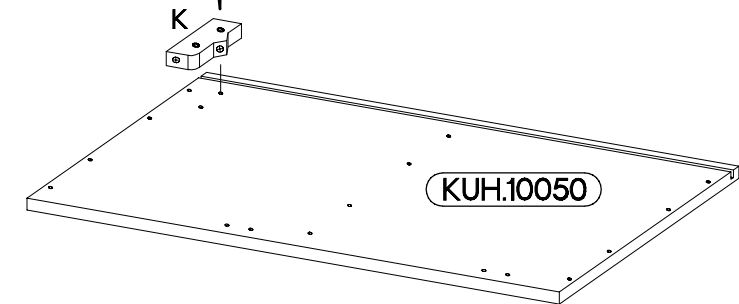
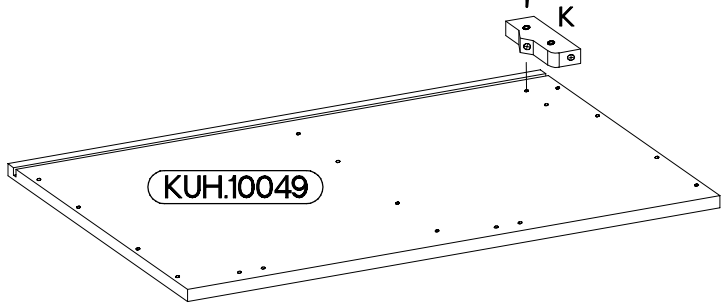
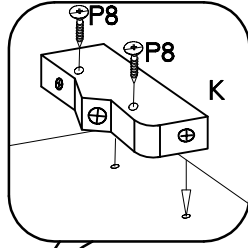
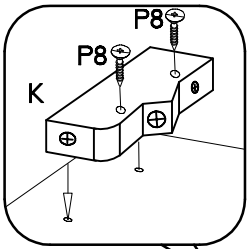
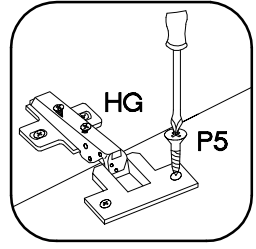
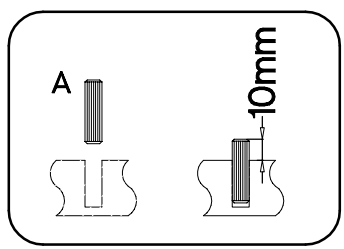
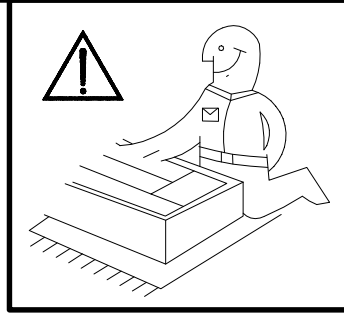


<b>A</b> 12	<b>B</b> 12	<b>E1</b> 12	<b>HG</b> 4	<b>J5</b> 4	<b>K</b> 2	<b>K24</b> 4
<b>L2</b> 4	<b>O</b> 1	<b>P5</b> 8	<b>P7</b> 10-15	<b>P8</b> 4	<b>S23</b> 2	<b>U</b> 4
<b>†8x30mm</b>	<b>6,4 x 50mm</b>		<b>†35/0mm</b>			
		<b>†3.5x13mm</b>	<b>†3.0x20mm</b>	<b>†4.0x30mm</b>		<b>M4x22mm</b>



ISM-KUH-00917

±8x30mm  A 12	±35/0mm  HG 4	±3.5x13mm  P5 8	±4.0x30mm  P8 4	 K 2
--	--	--	--	--





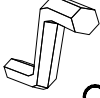
2

6,4 x 50mm



B

6



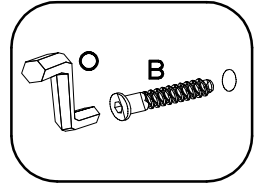
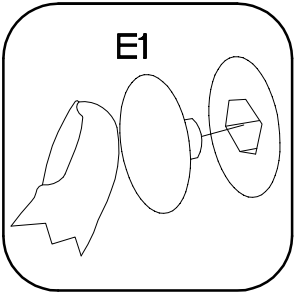
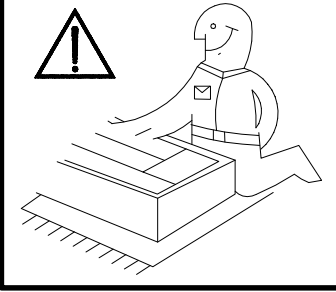
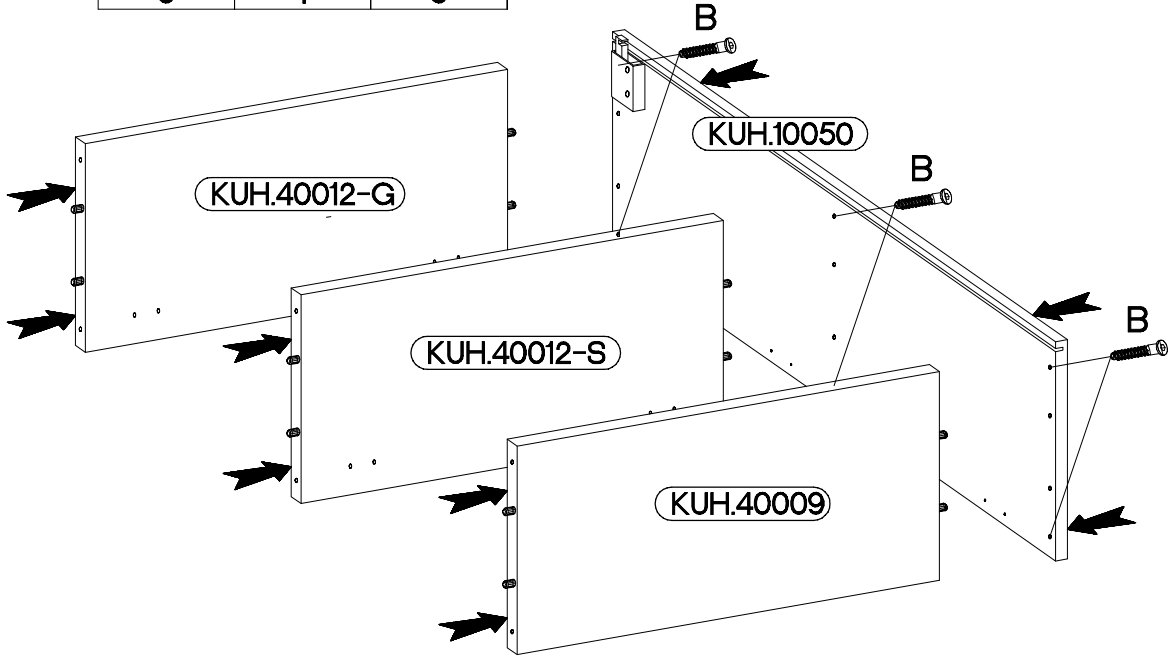
O

1



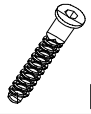
E1

6



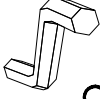
3

6,4 x 50mm



B

6



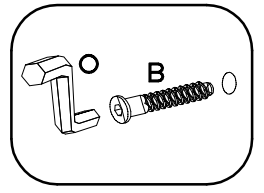
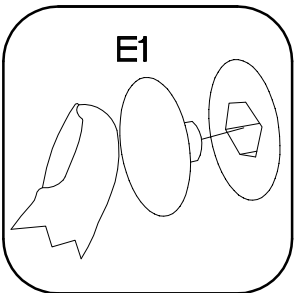
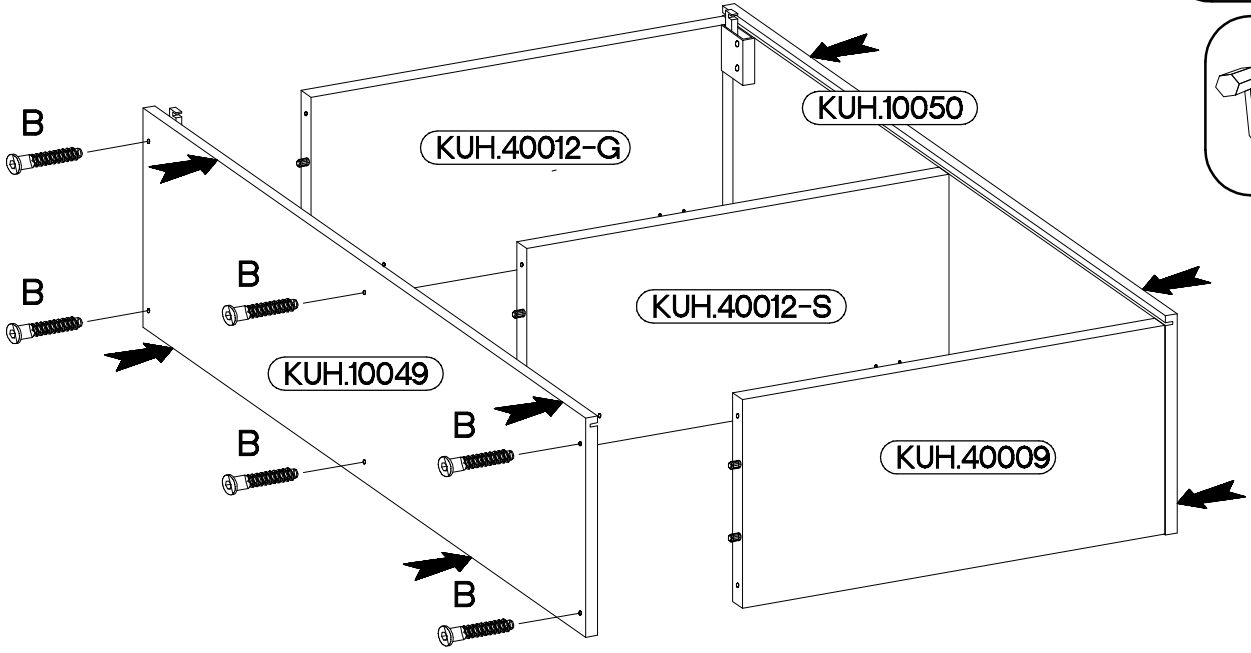
O

1

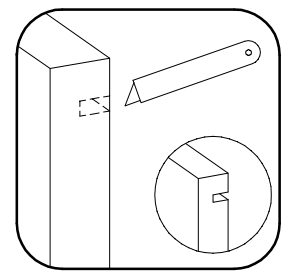
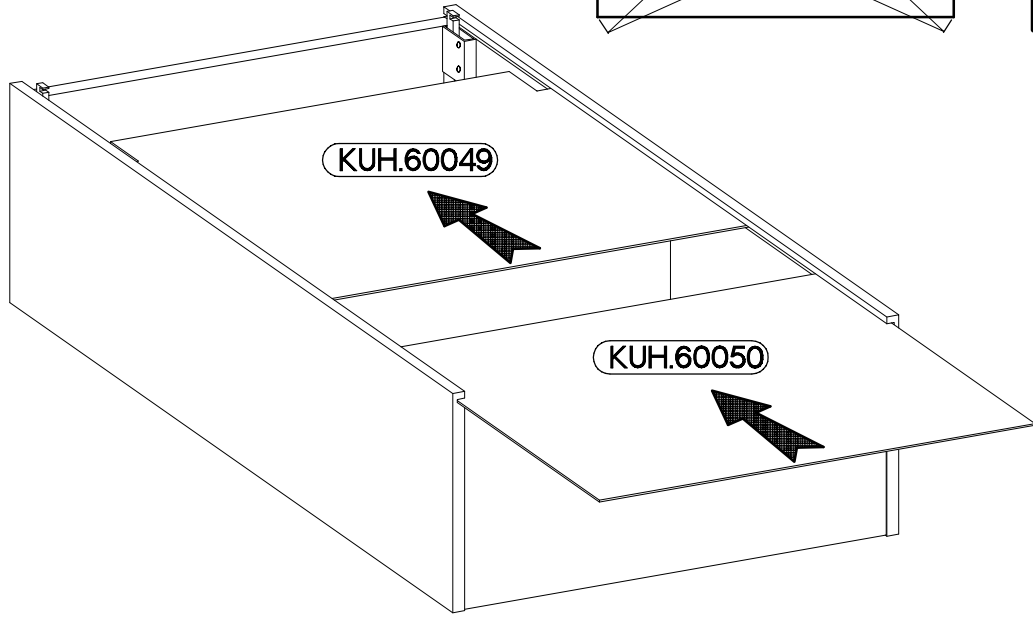
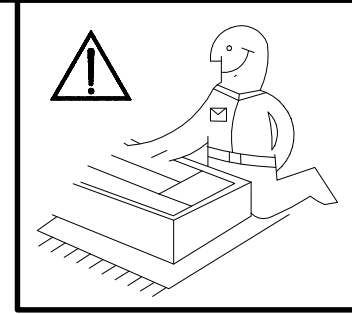
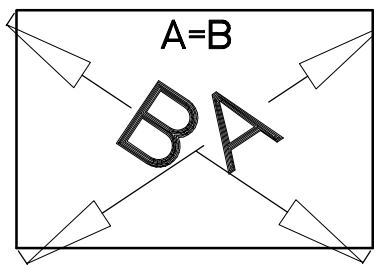


E1

6

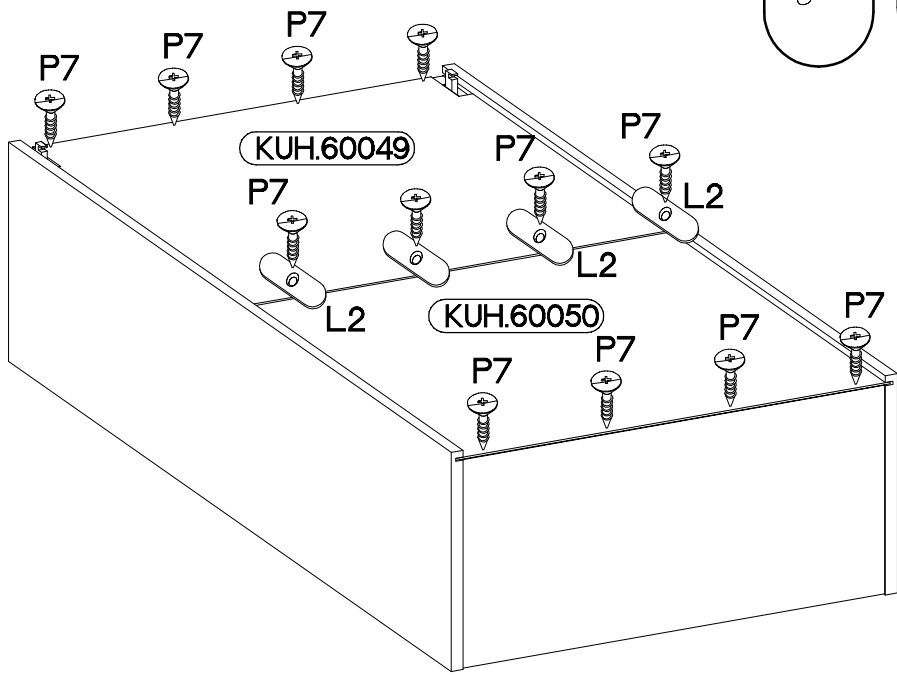
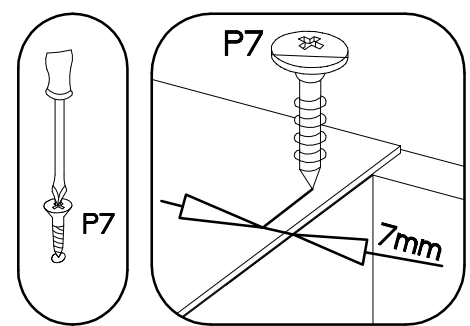


4

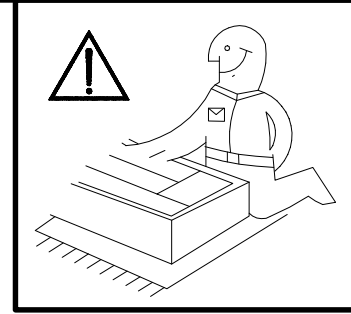
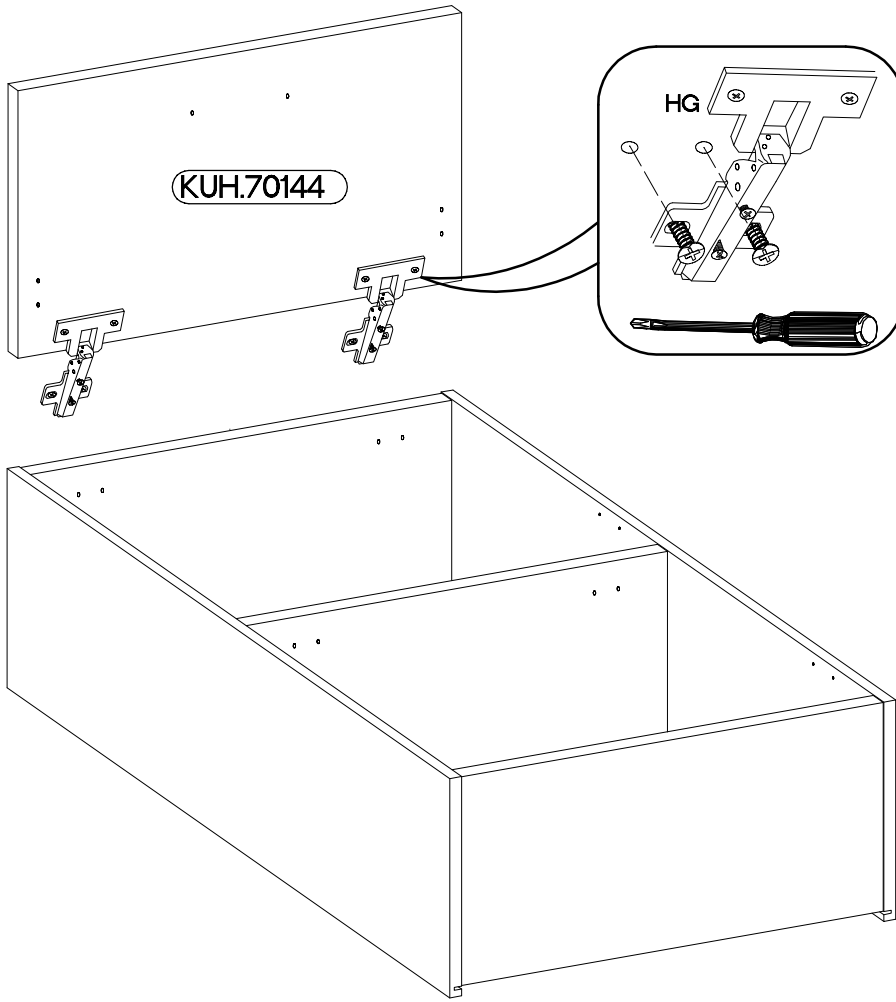


5

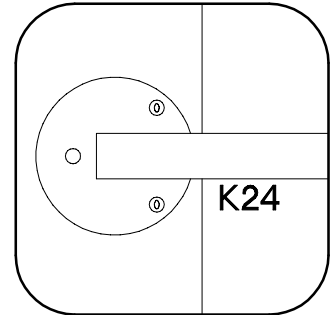
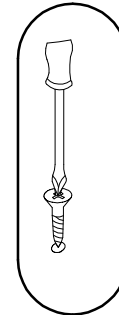
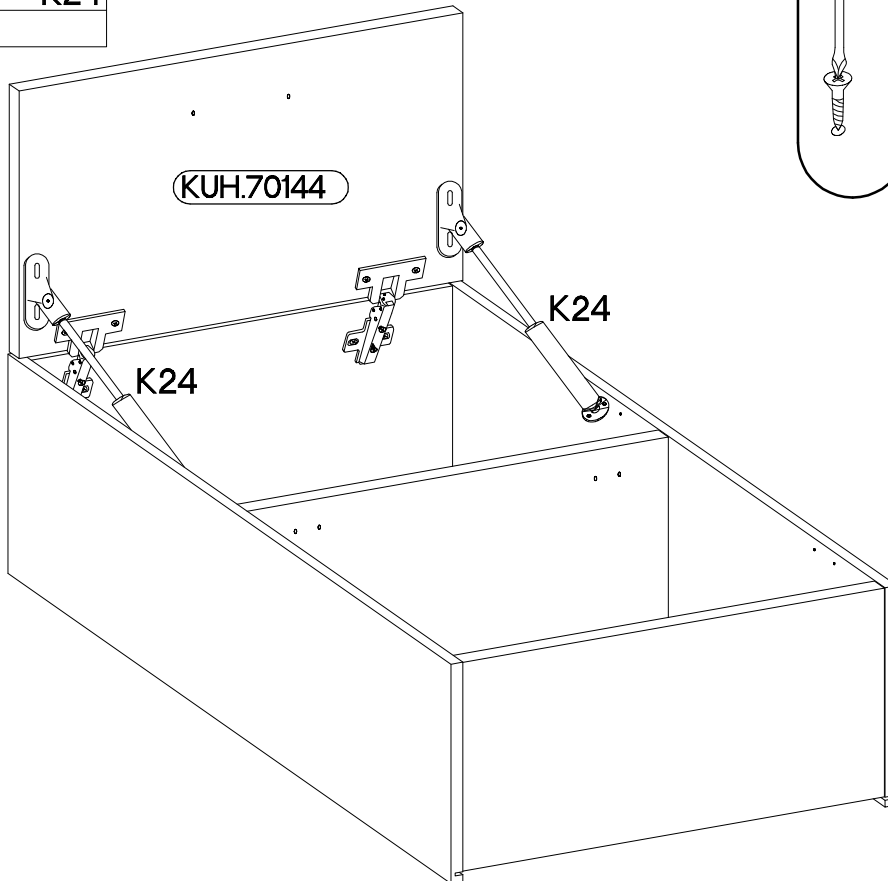
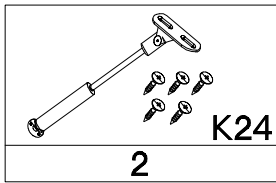
<p>3.0x20mm</p> <p>P7</p> <p>10-15</p>	<p>L2</p> <p>4</p>
--	--------------------



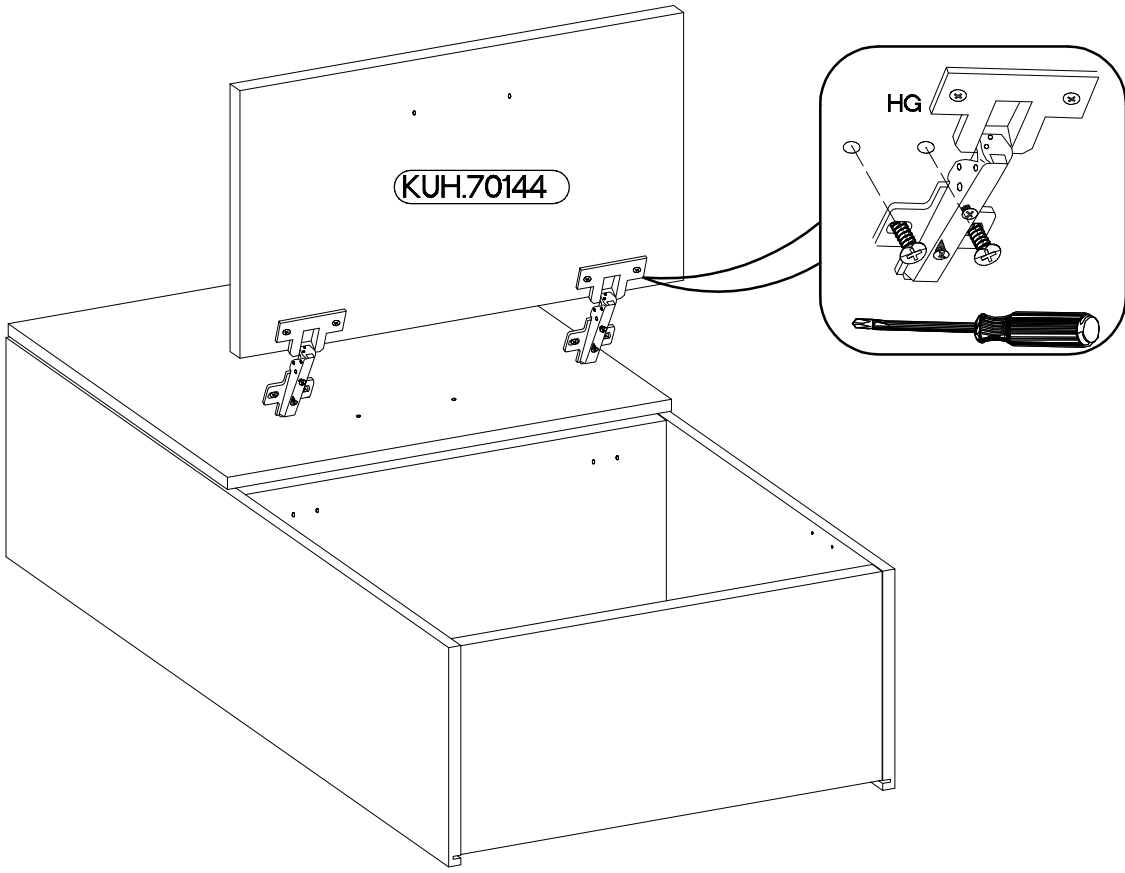
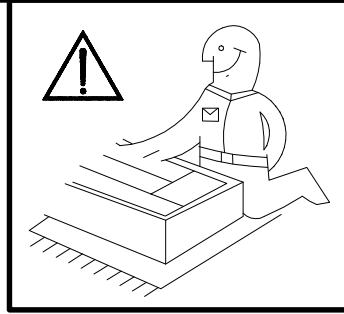
6



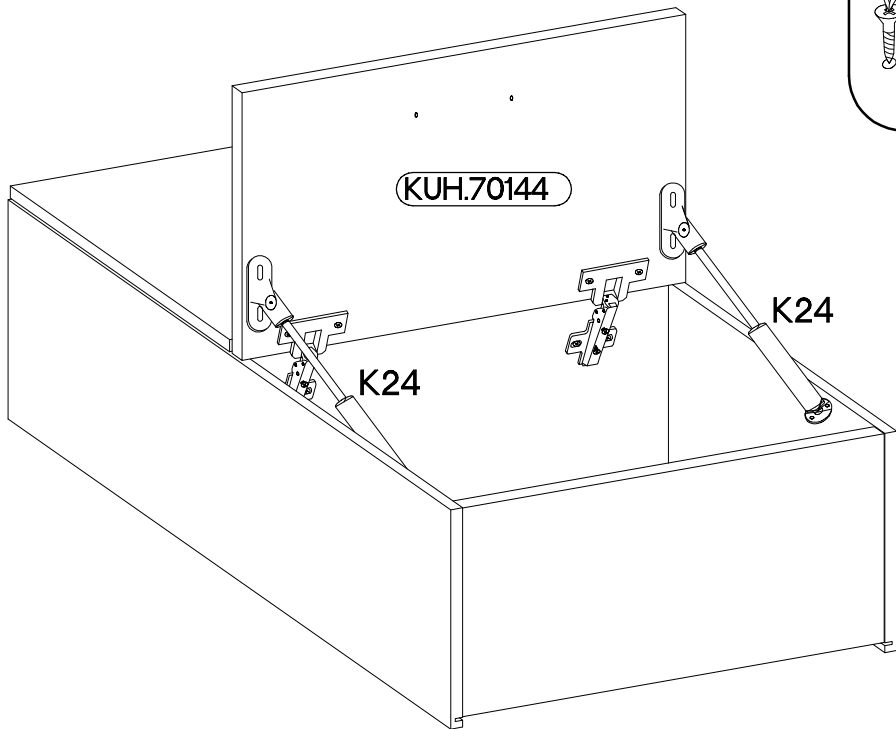
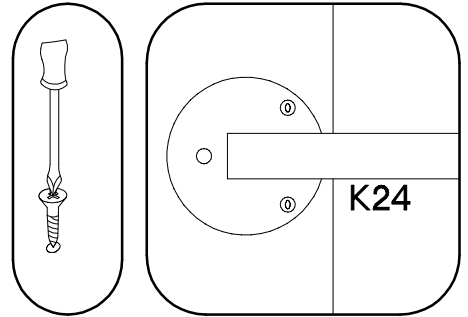
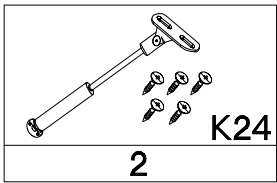
7






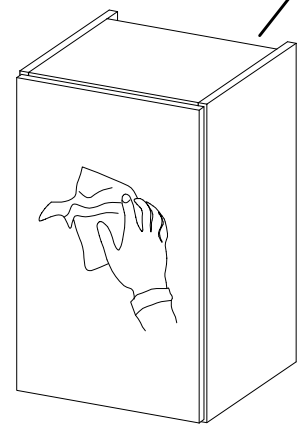
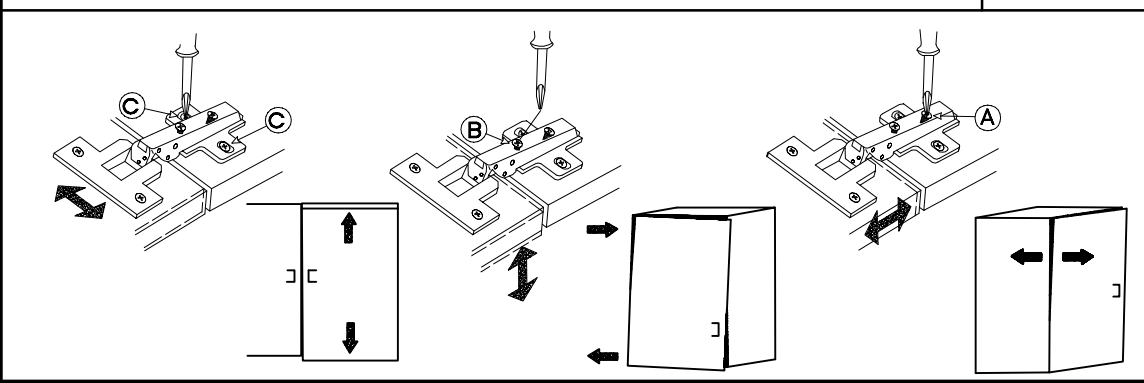
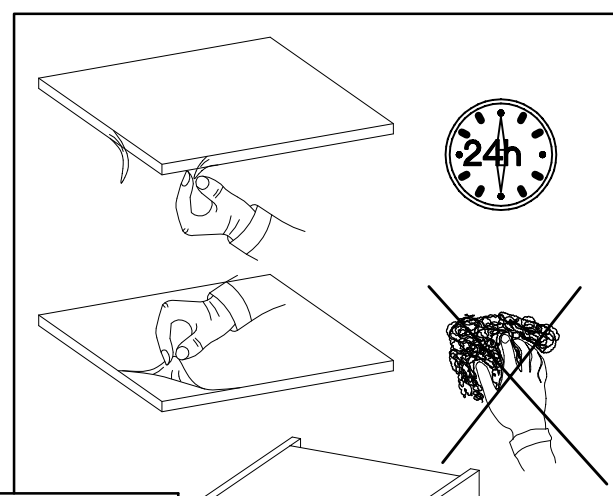
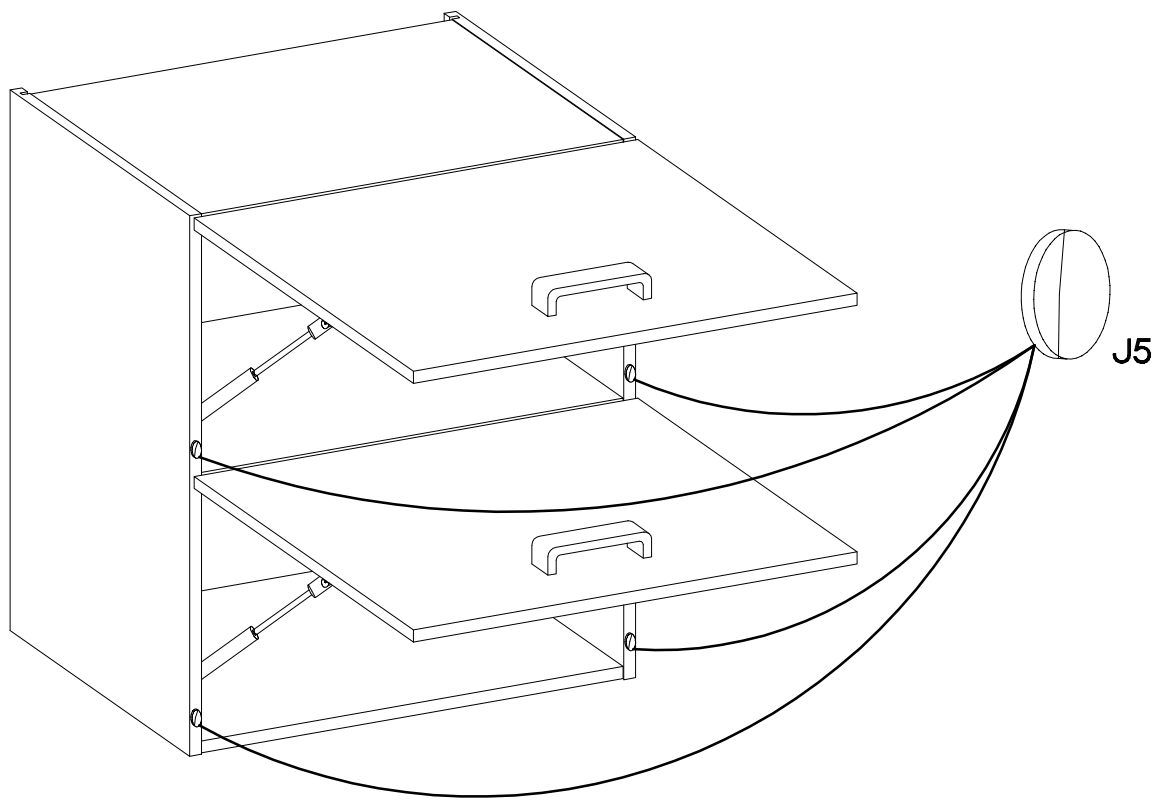
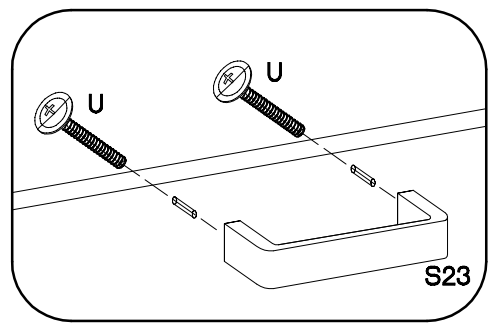
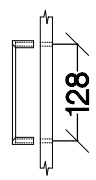
8

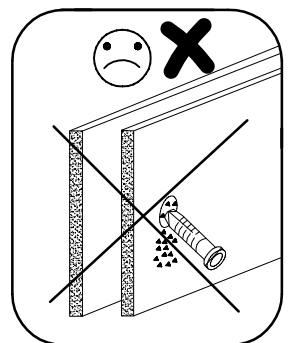
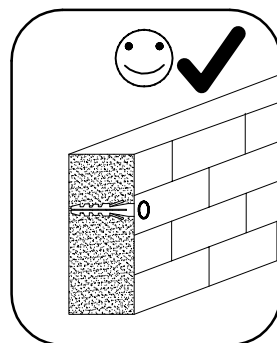
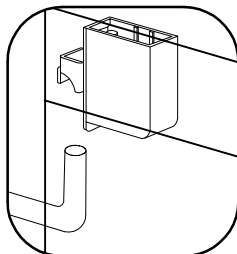
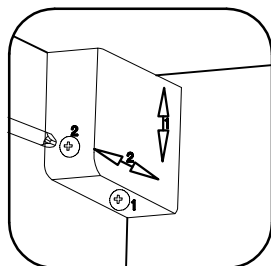
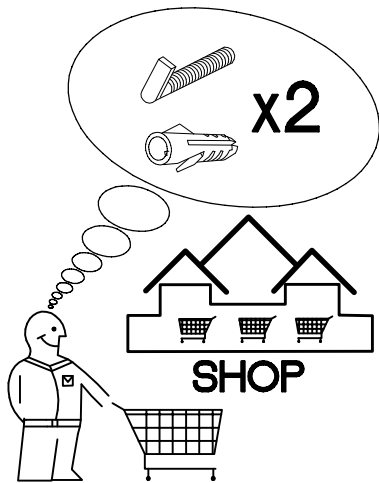
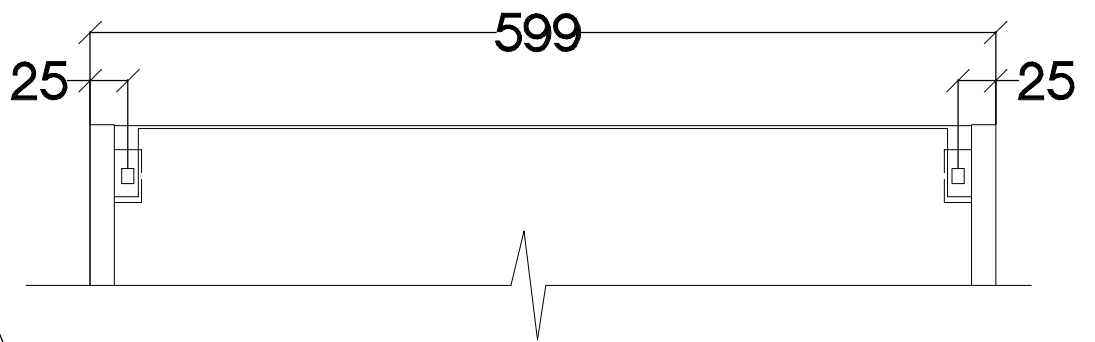
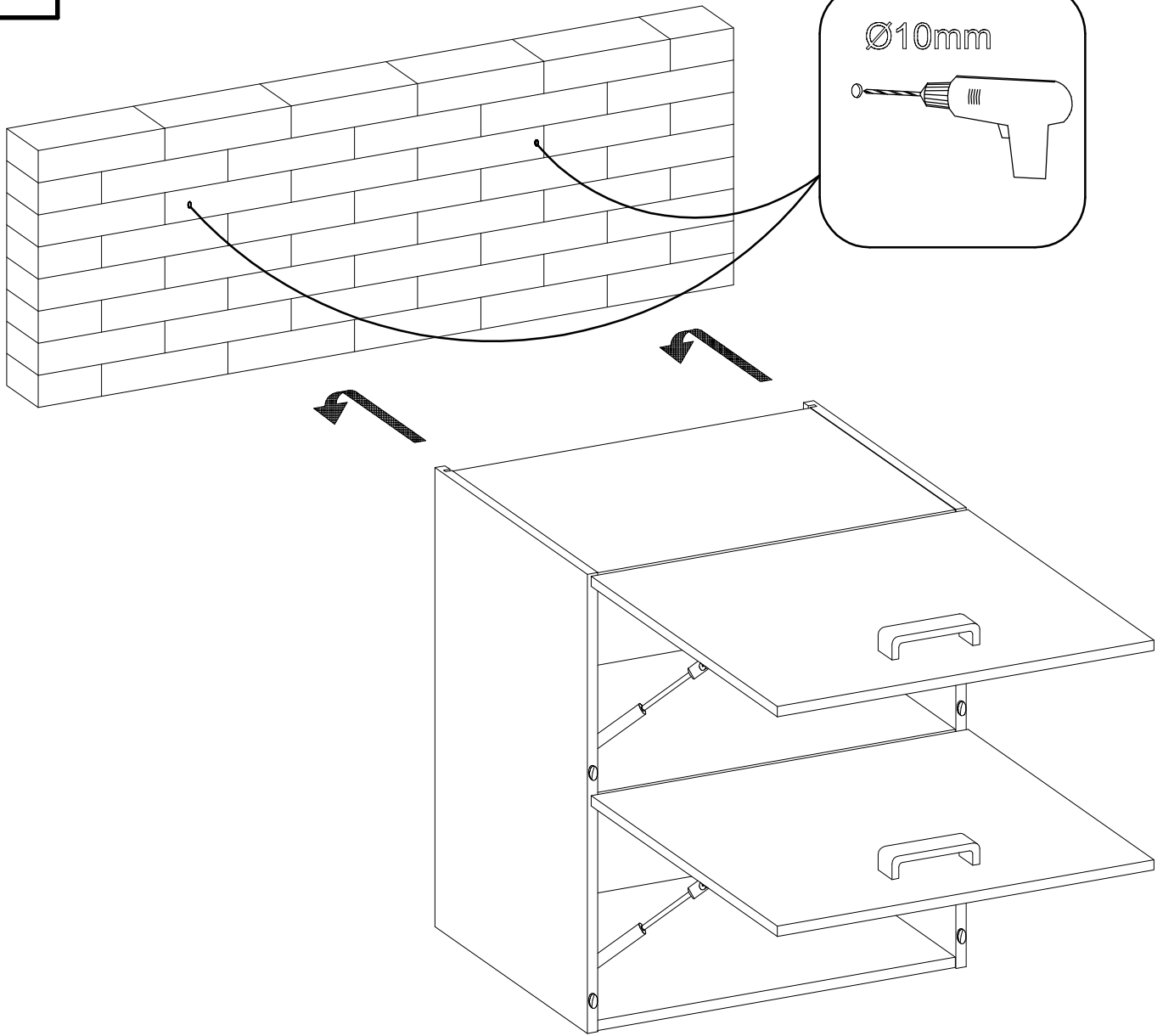


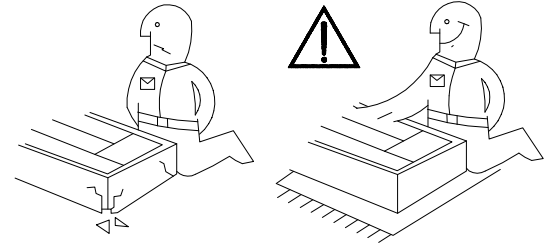
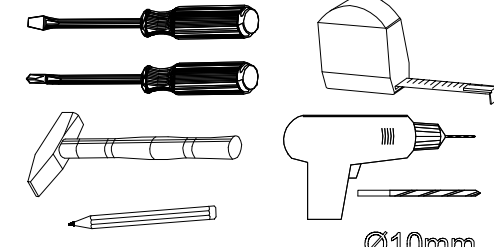
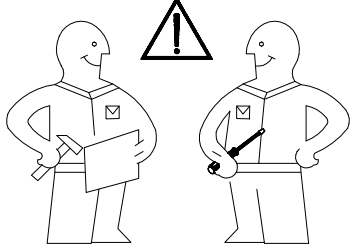
9



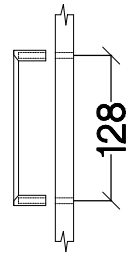
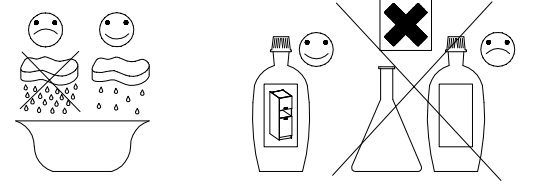
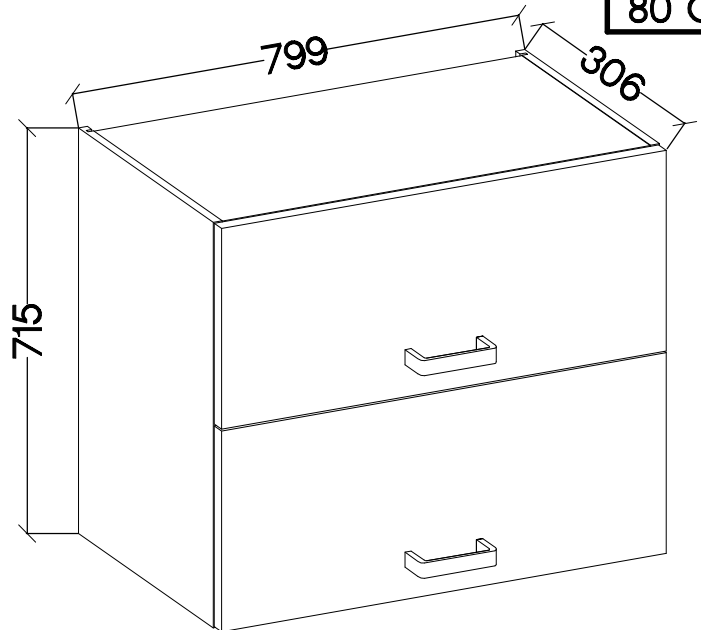
M4x22mm		
		
U	S23	J5
4	2	4





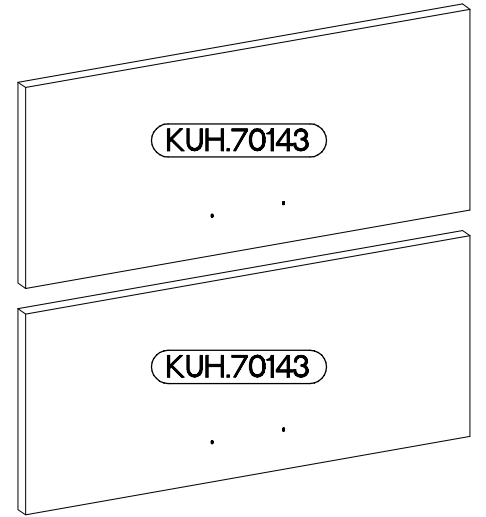
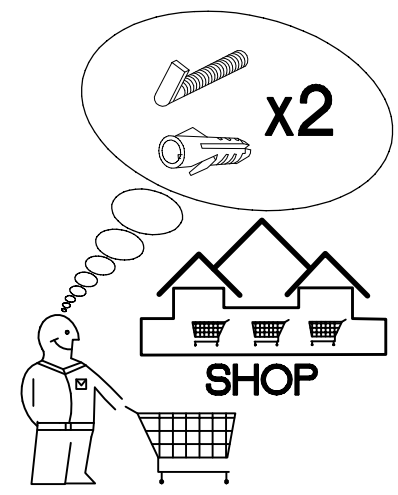
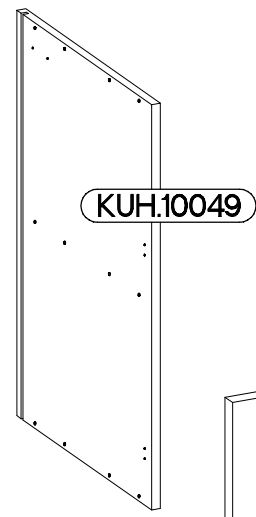
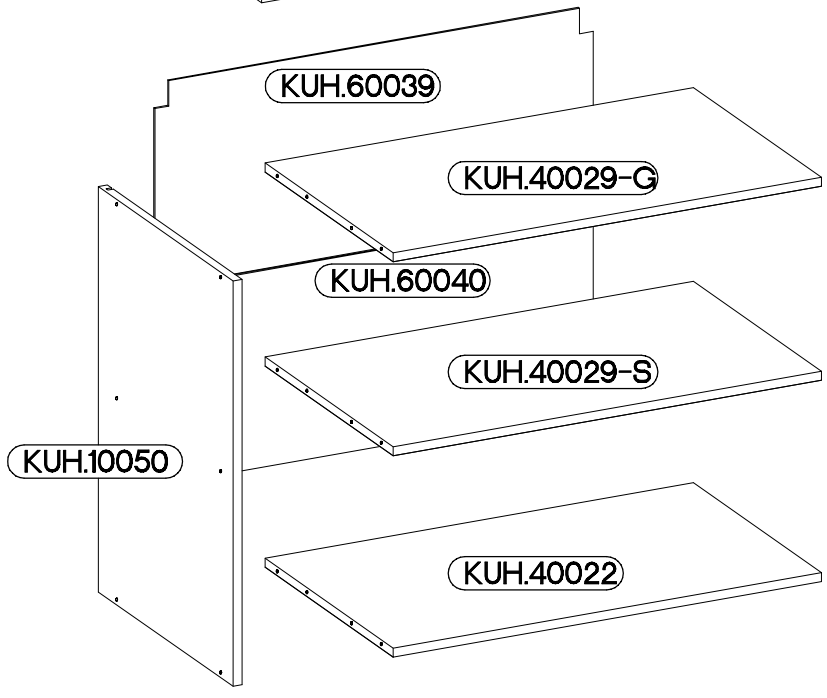


80 GU-72 2F

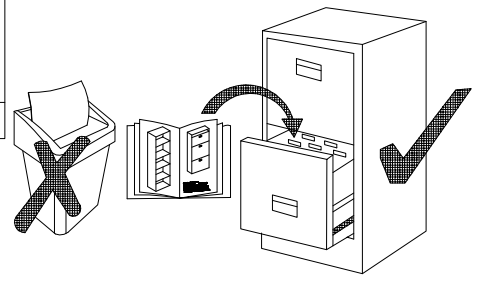


max. 5kg

KUH.40029  
KUH.40022

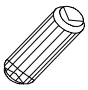
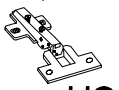

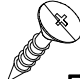
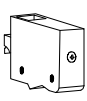


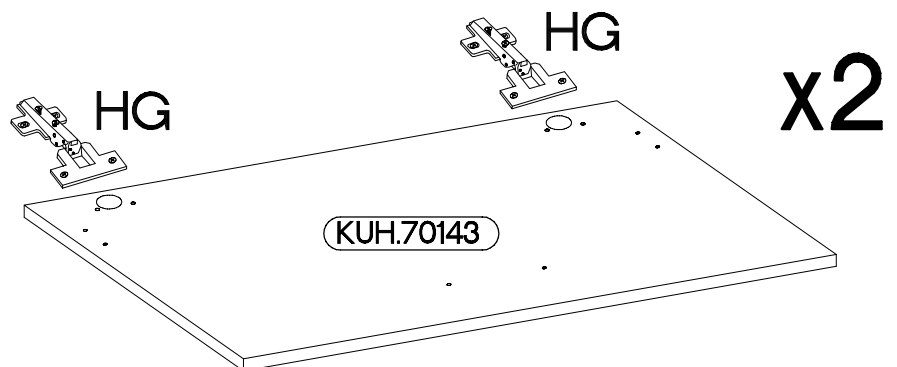
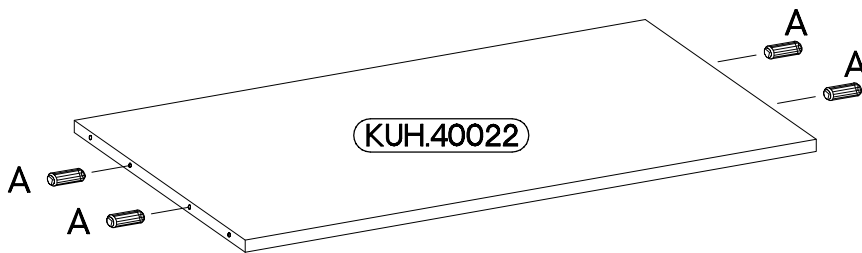
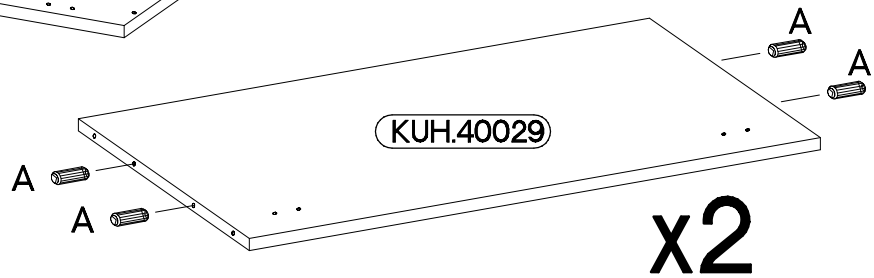
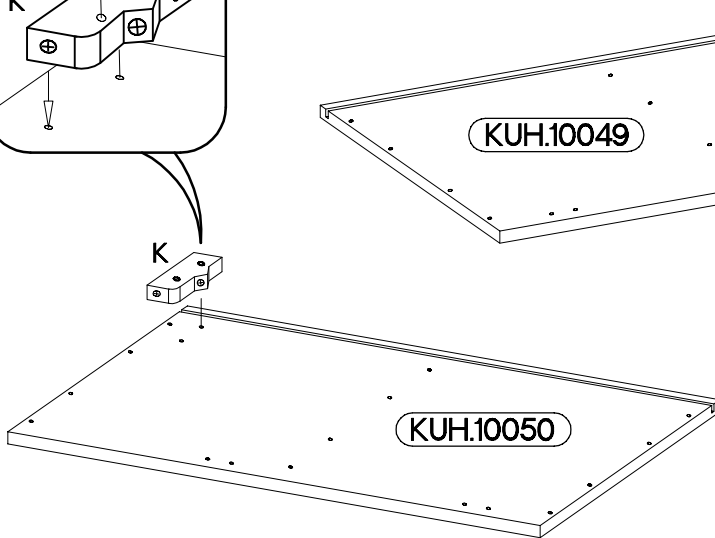
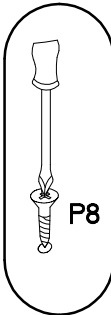
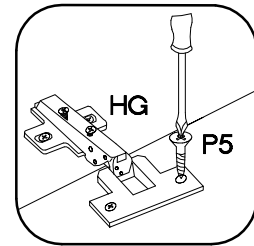
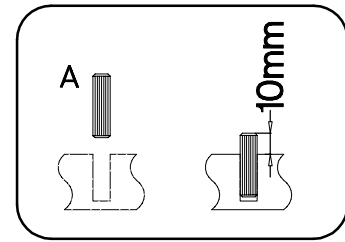
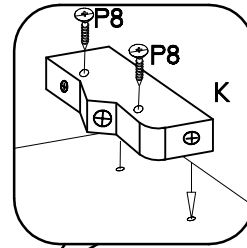
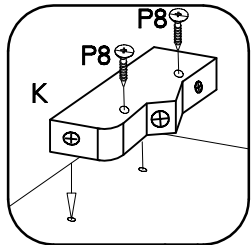
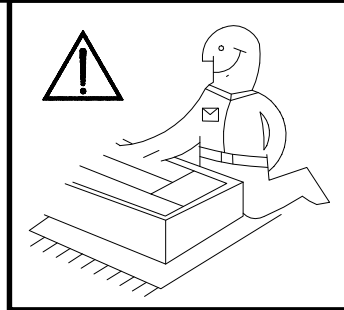
 <b>A</b> 12	 <b>B</b> 12	 <b>E1</b> 12	 <b>HG</b> 4	 <b>J5</b> 4	 <b>K</b> 2	 <b>K24</b> 4
 <b>L2</b> 5	 <b>O</b> 1	 <b>P5</b> 8	 <b>P7</b> 10-15	 <b>P8</b> 4	 <b>S23</b> 2	 <b>U</b> 4



ISM-KUH-00926

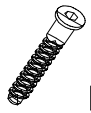
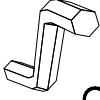

1

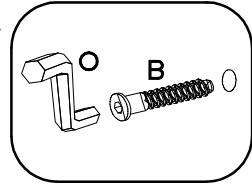
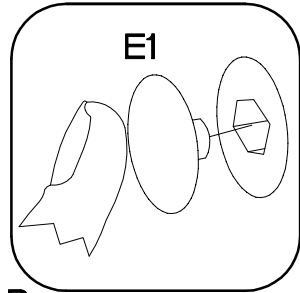
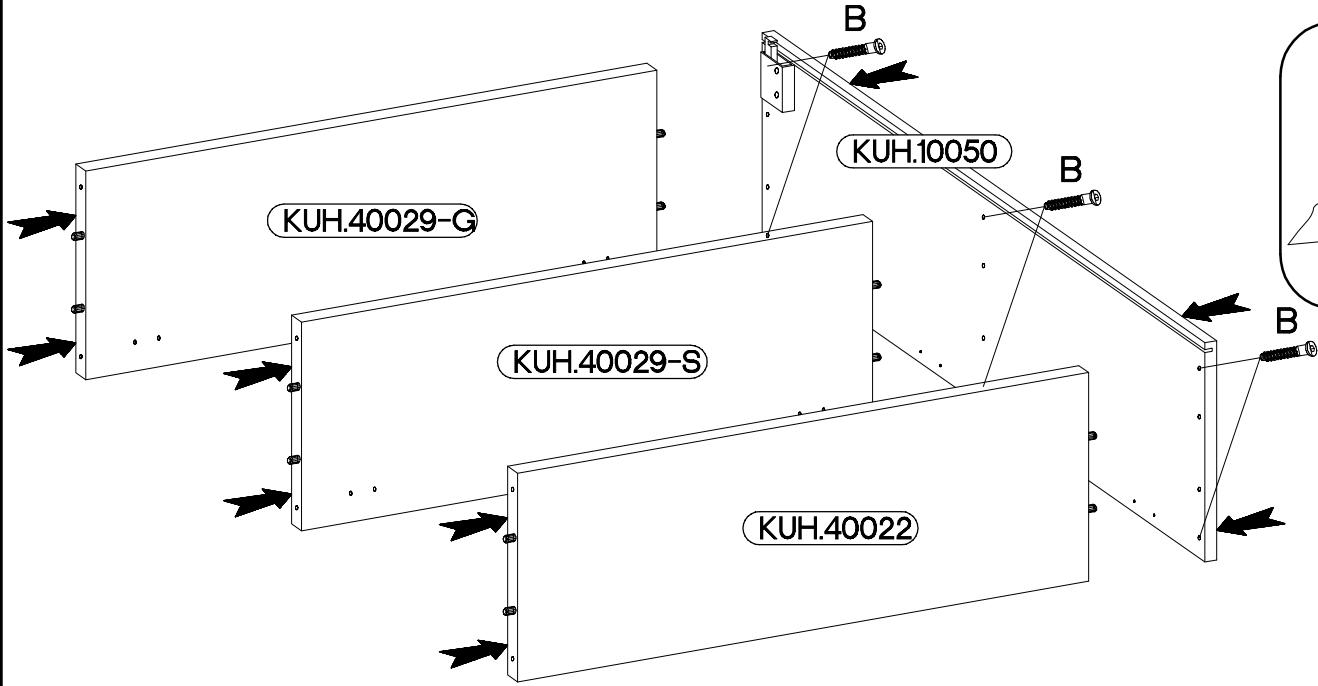
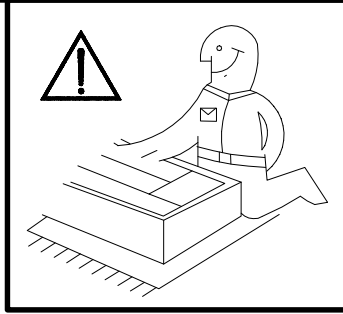
±8x30mm  A 12	±35/0mm  HG 4	±3.5x13mm  P5 8	±4.0x30mm  P8 4	 K 2
--	--	--	--	--




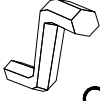



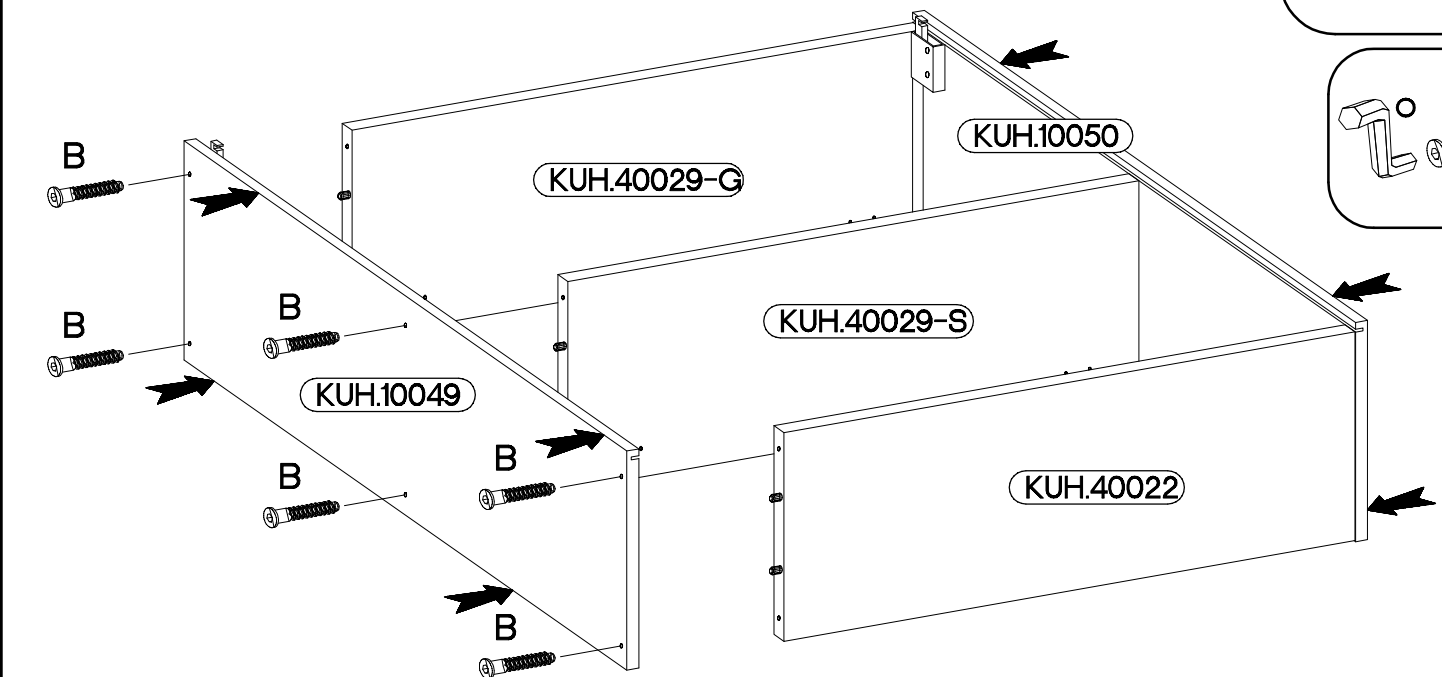
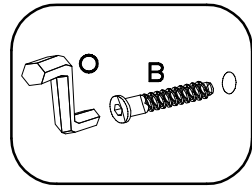
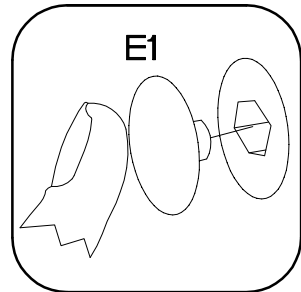
2

6,4 x 50mm		
		
B	O	E1
6	1	6

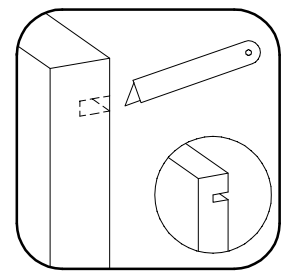
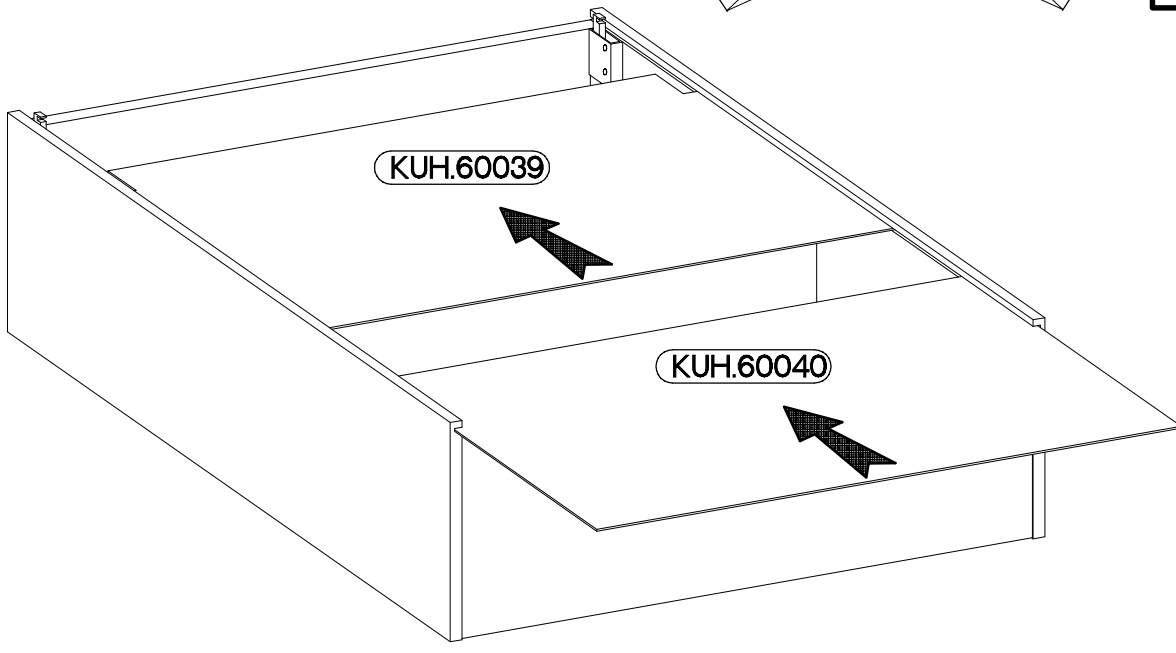
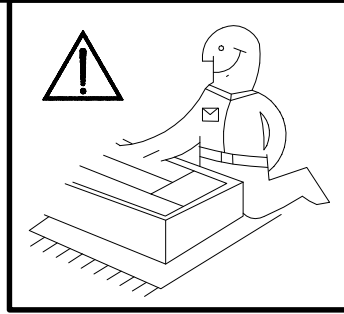
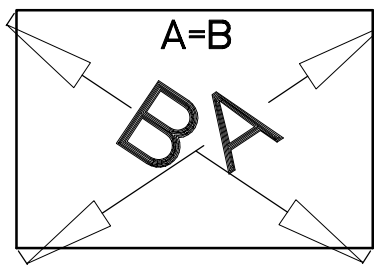


3

6,4 x 50mm		
		
B	O	E1
6	1	6

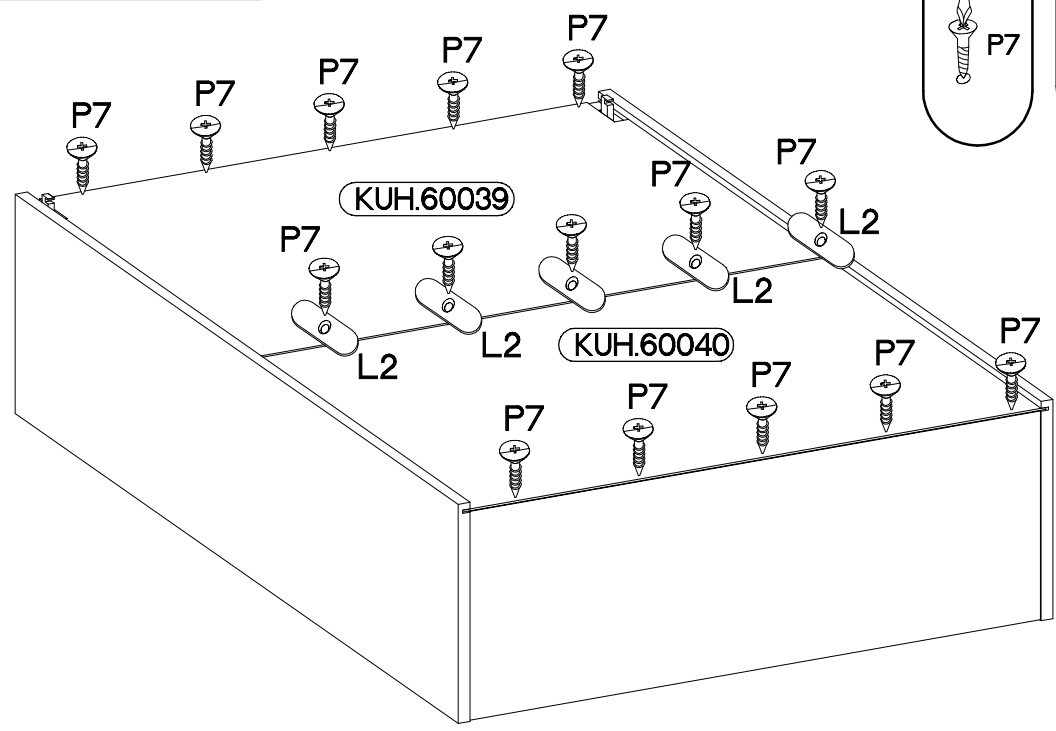
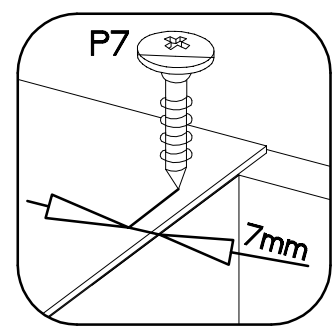
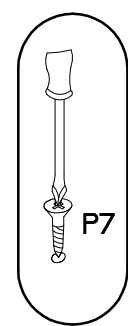


4

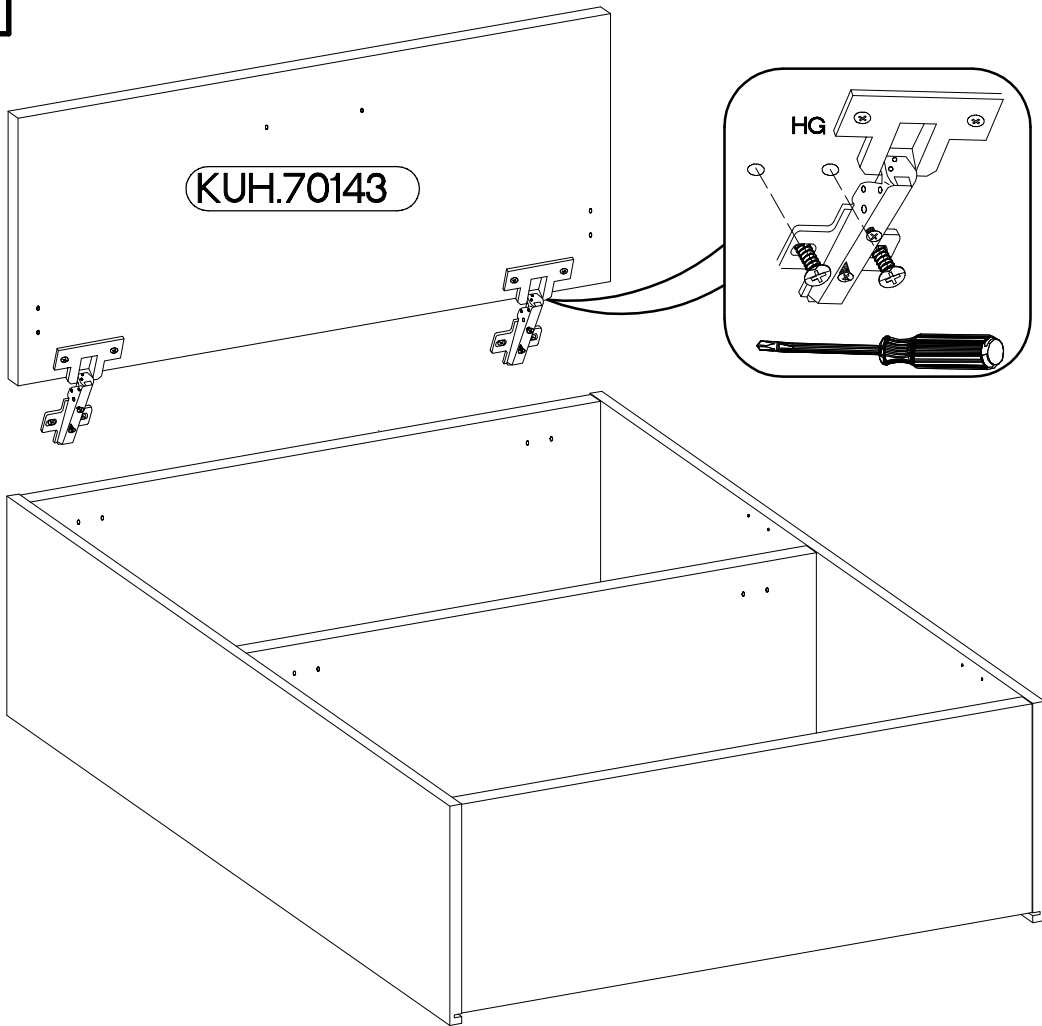
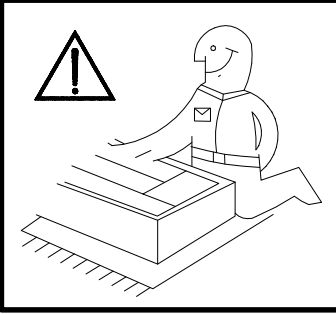


5

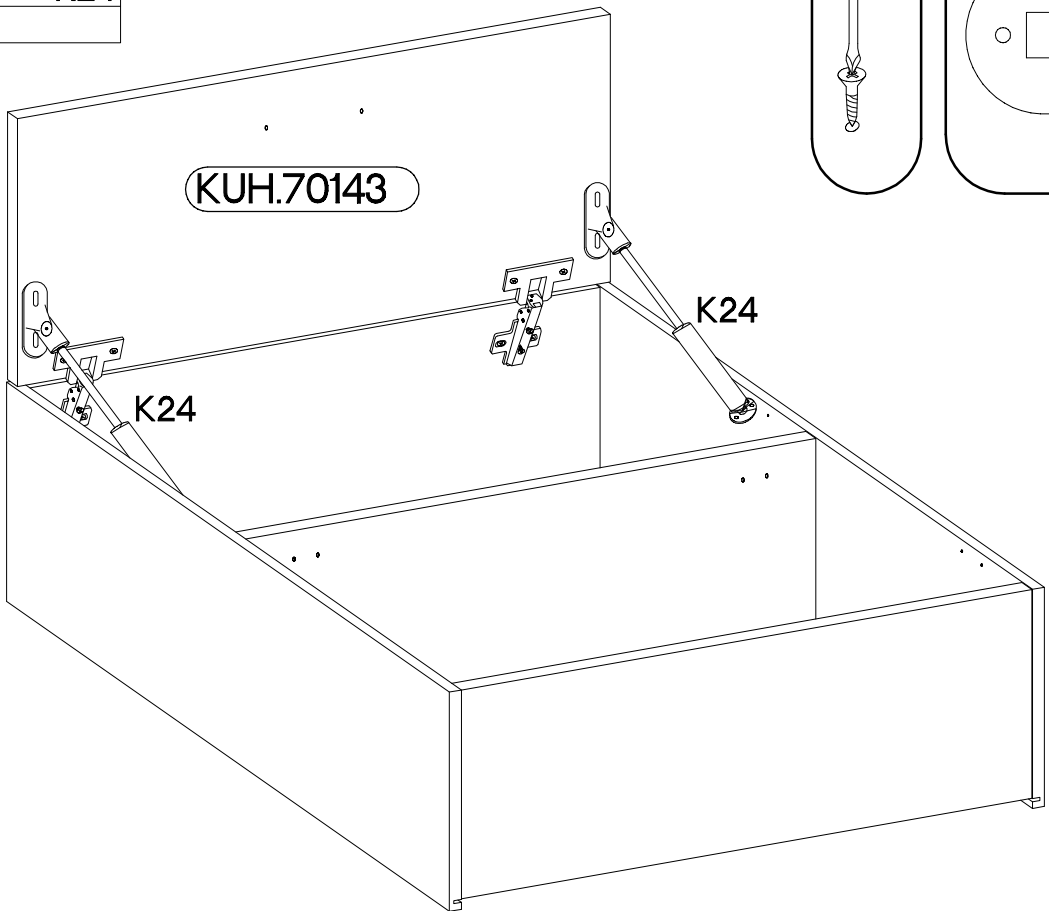
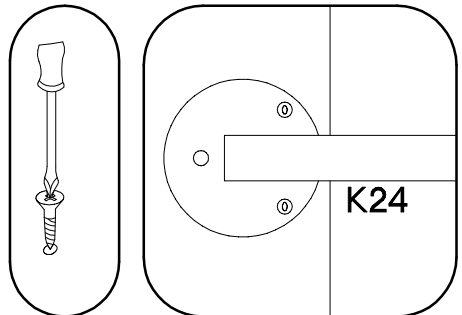
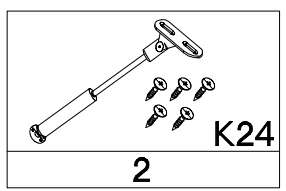
†3.0x20mm  P7 10-15	 L2 5
------------------------------	-------------



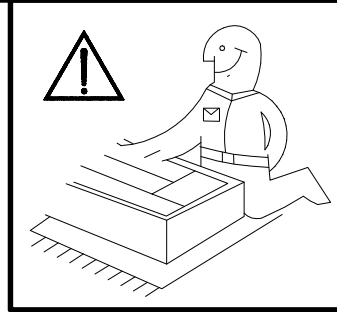
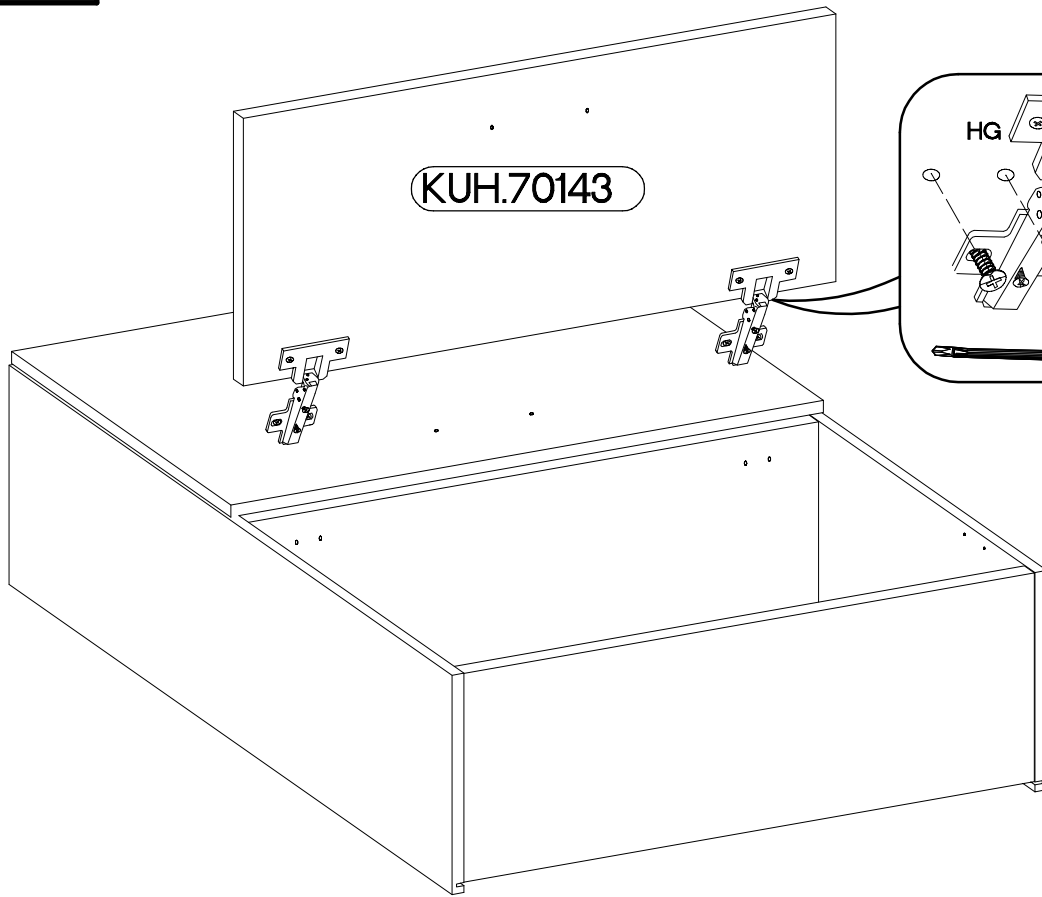
6



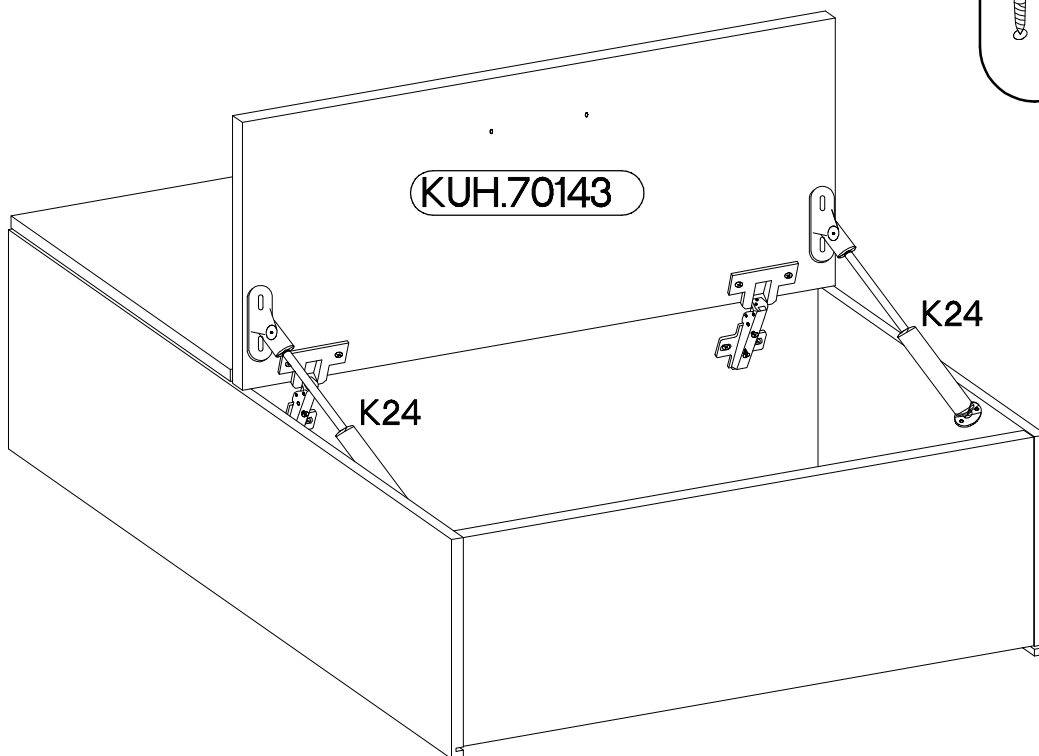
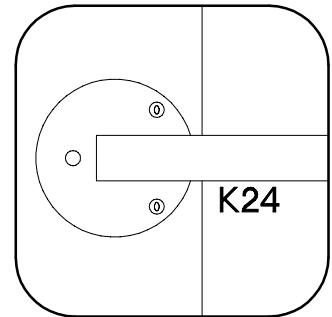
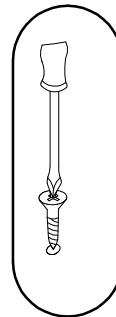
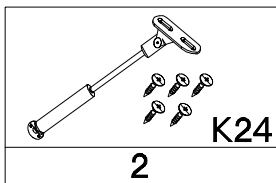
7






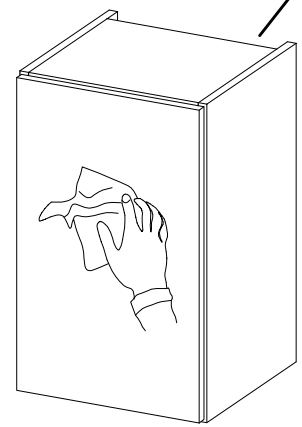
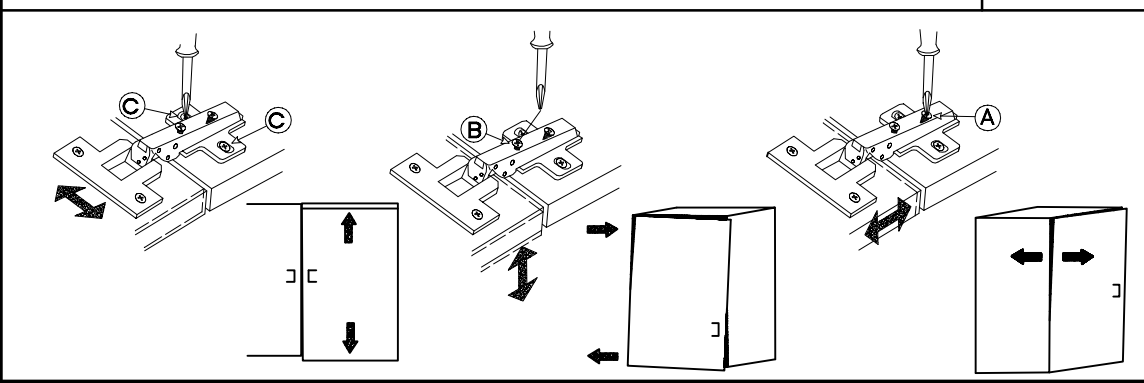
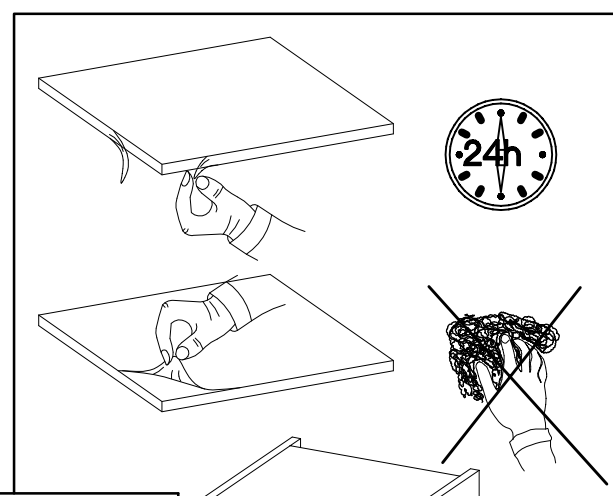
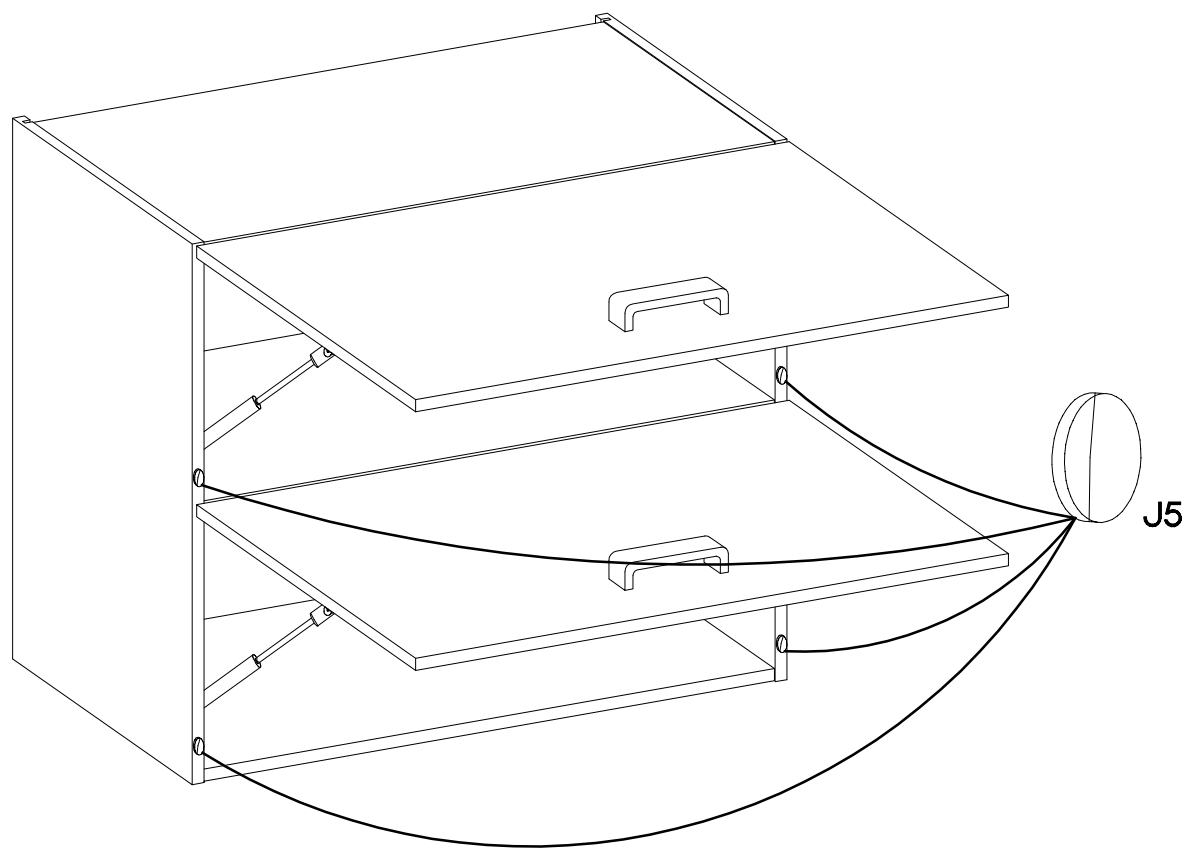
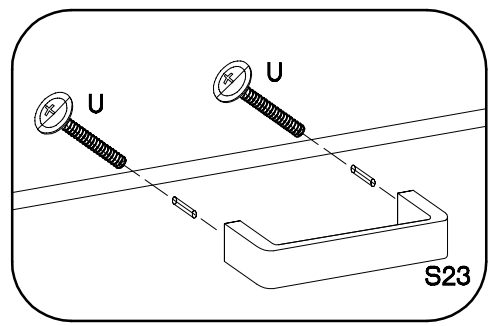
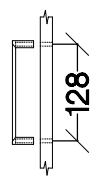
8

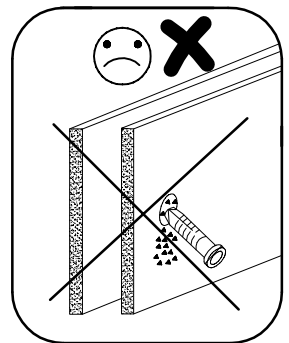
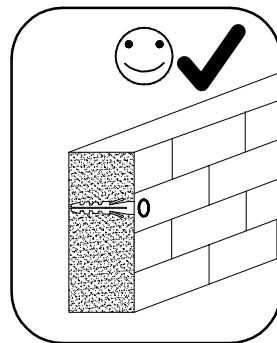
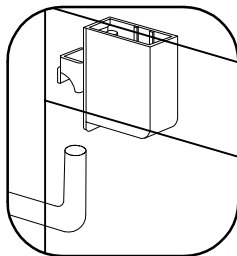
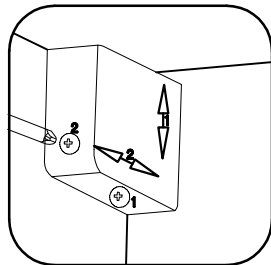
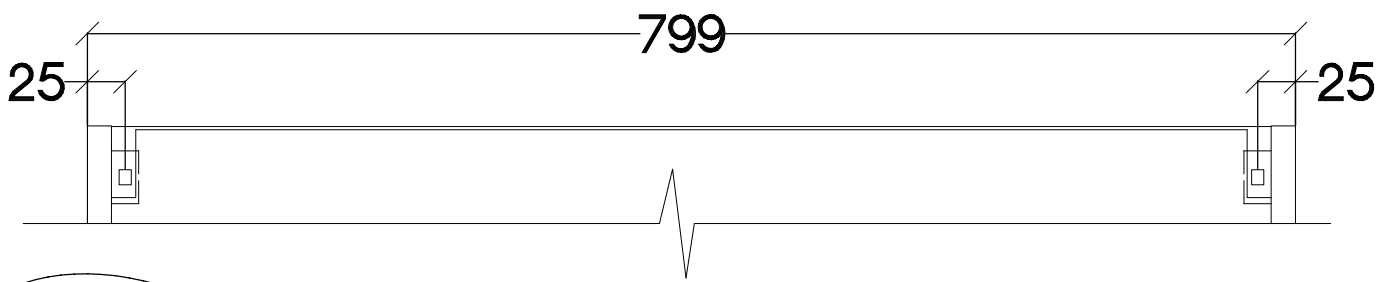
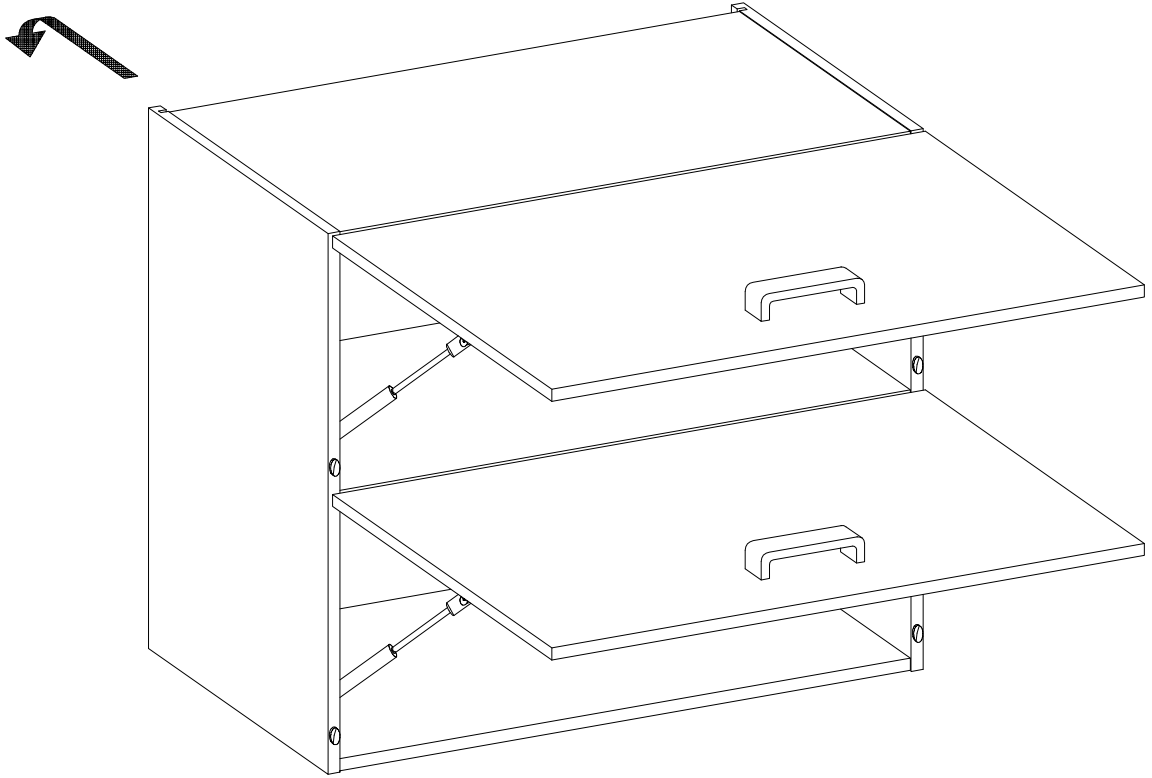
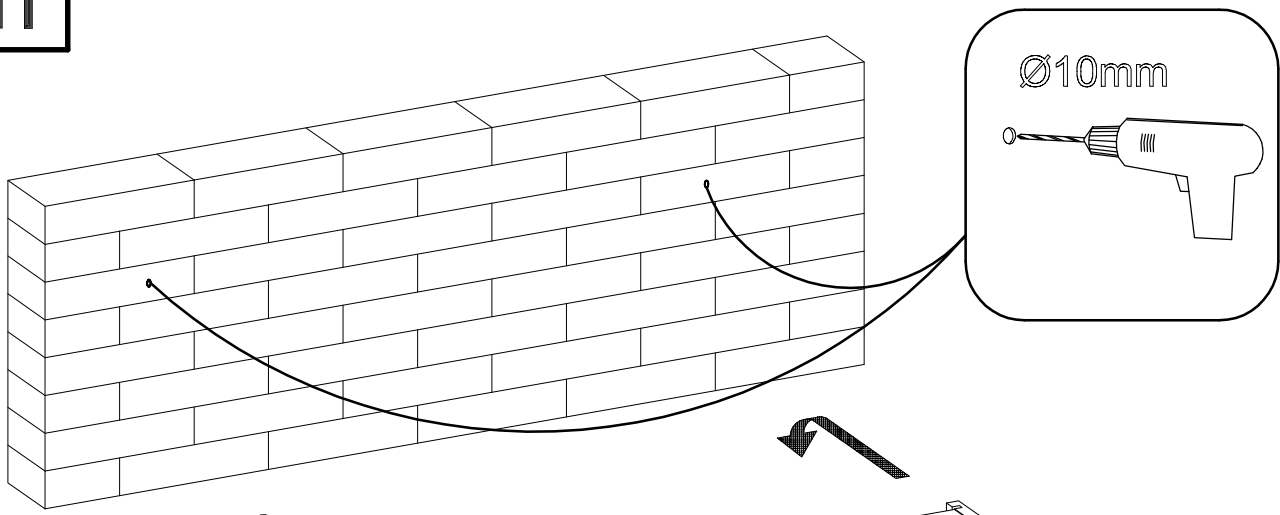


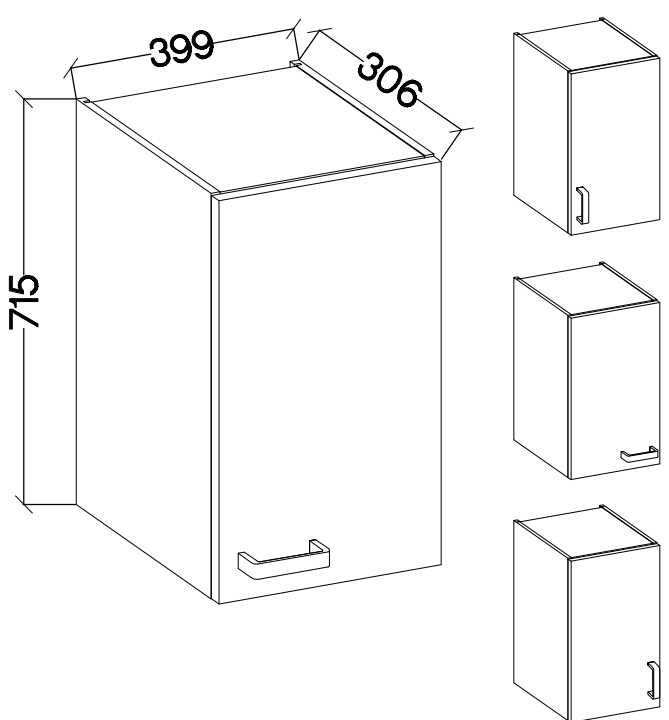
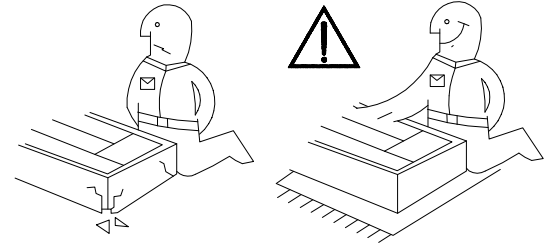
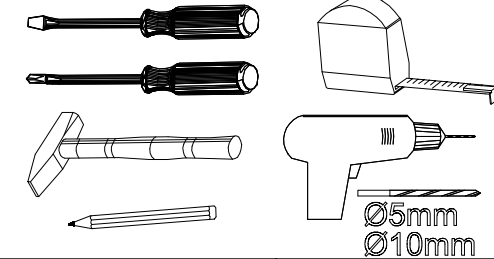
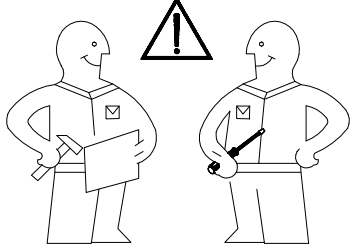
9



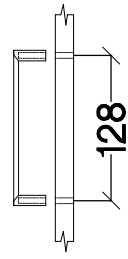
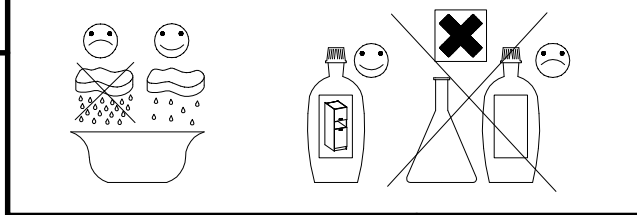
M4x22mm			
	U	S23	J5
	4	2	4





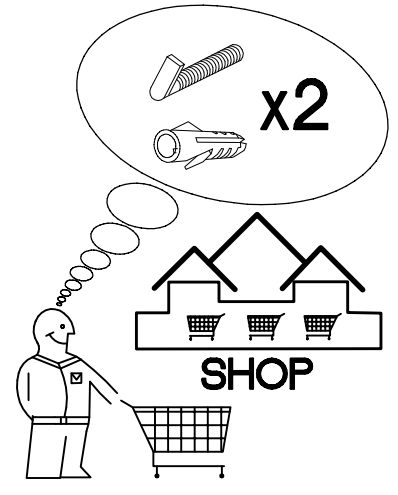
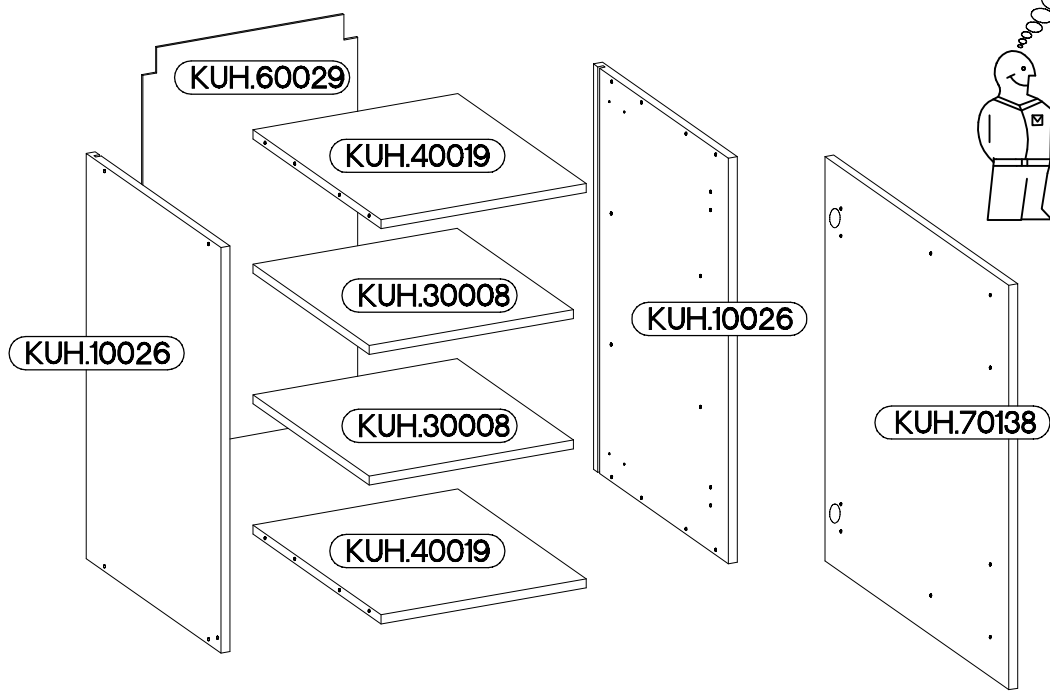
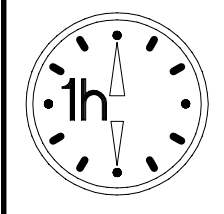


40 G-72 1F

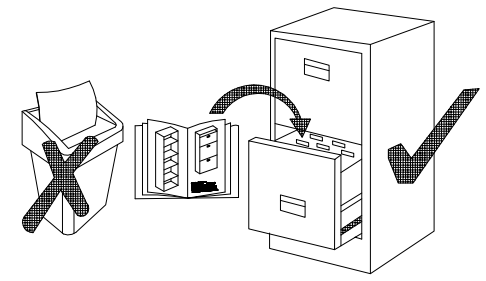


max. 5kg

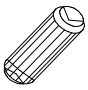
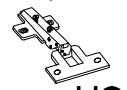

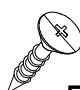
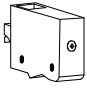
KUH.30008  
KUH.40019

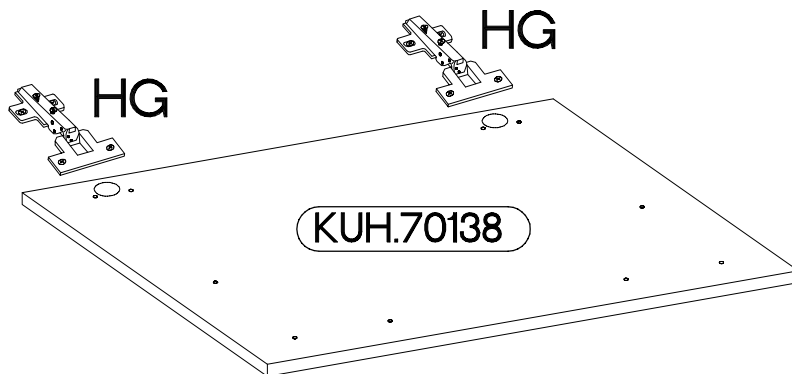
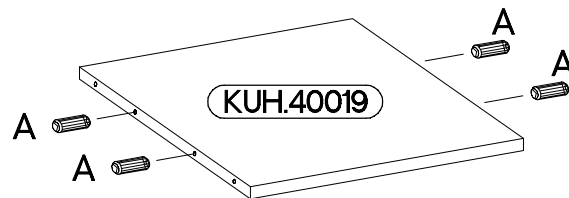
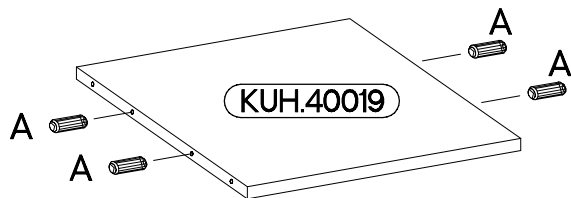
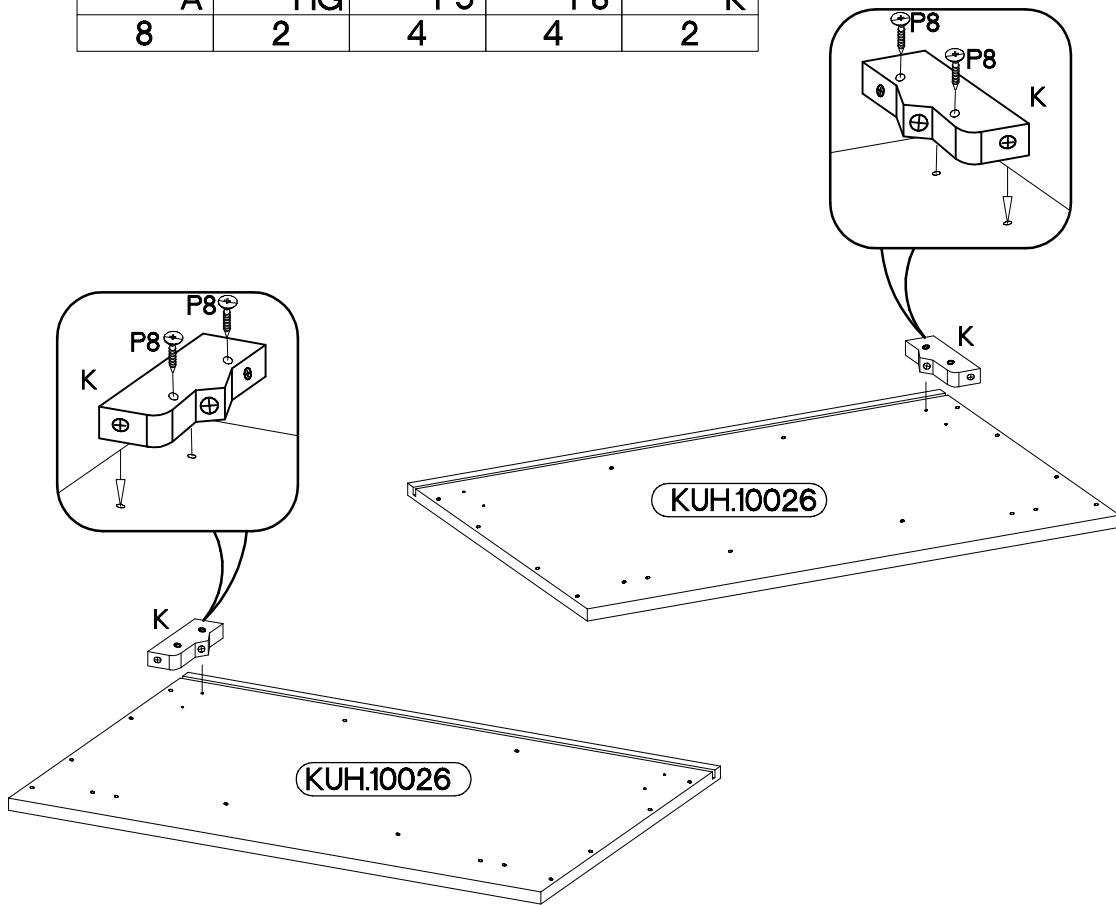
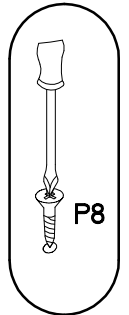
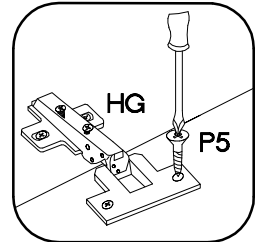
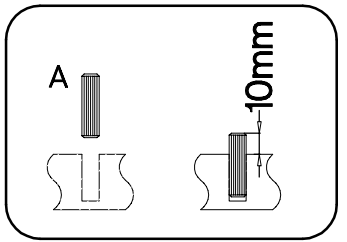
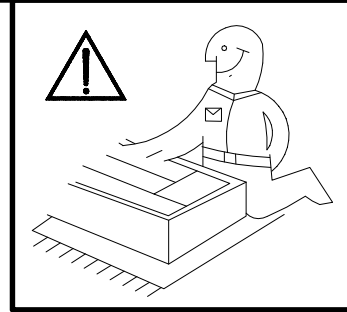


 A 8	 B 8	 E1 8	 HG 2	 J 8	 K 2
 O 1	 P5 4	 P7 8-10	 P8 4	 U 2	 S23 1



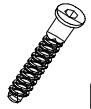
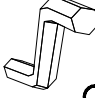

ISM-KUH-00925

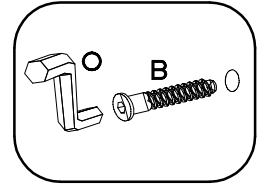
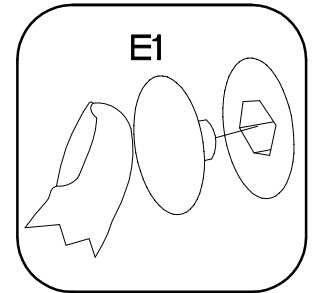
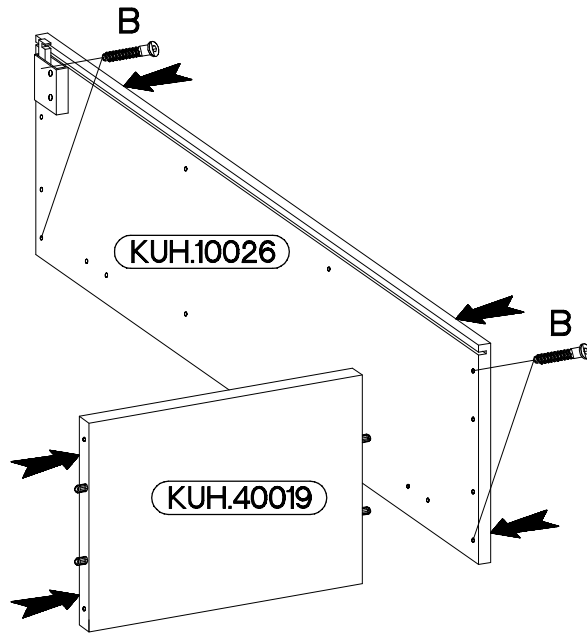
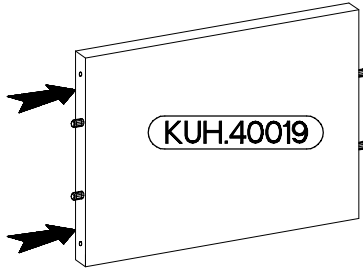
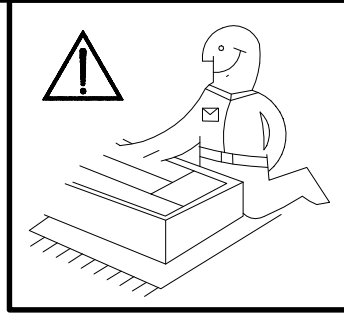
$\pm 8 \times 30 \text{mm}$  A	$\pm 35 / 0 \text{mm}$  HG	$\pm 3.5 \times 13 \text{mm}$  P5	$\pm 4.0 \times 30 \text{mm}$  P8	 K
8	2	4	4	2




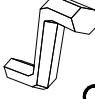



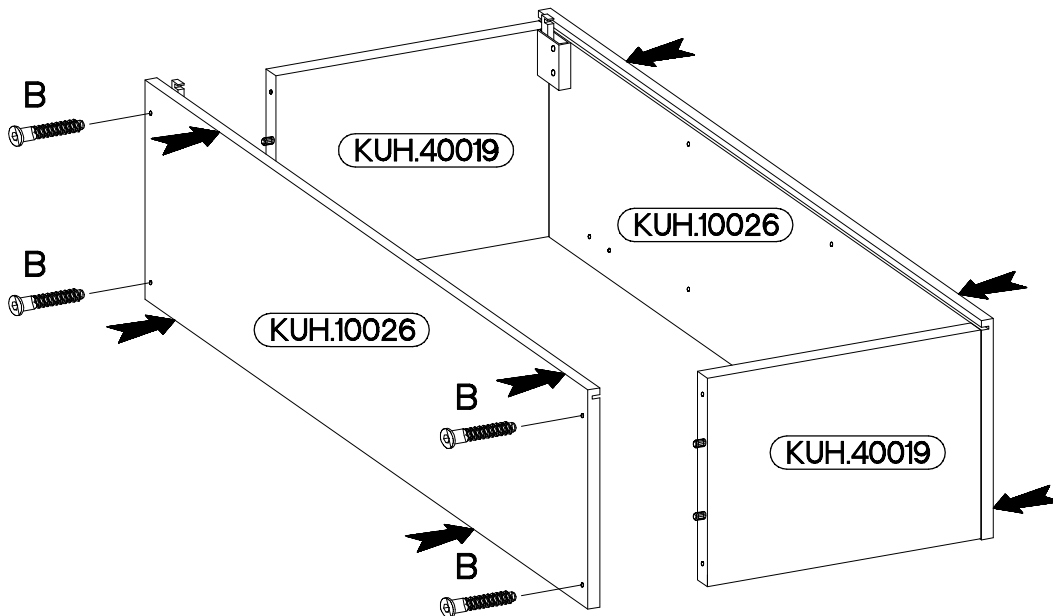
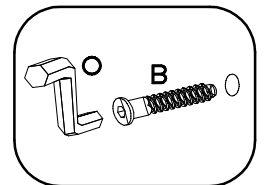
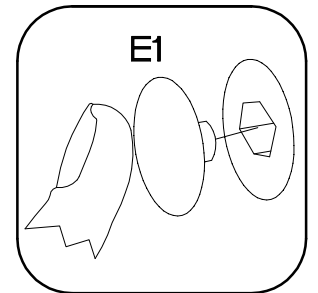
# 2

6,4 x 50mm		
		
B	O	E1
4	1	4

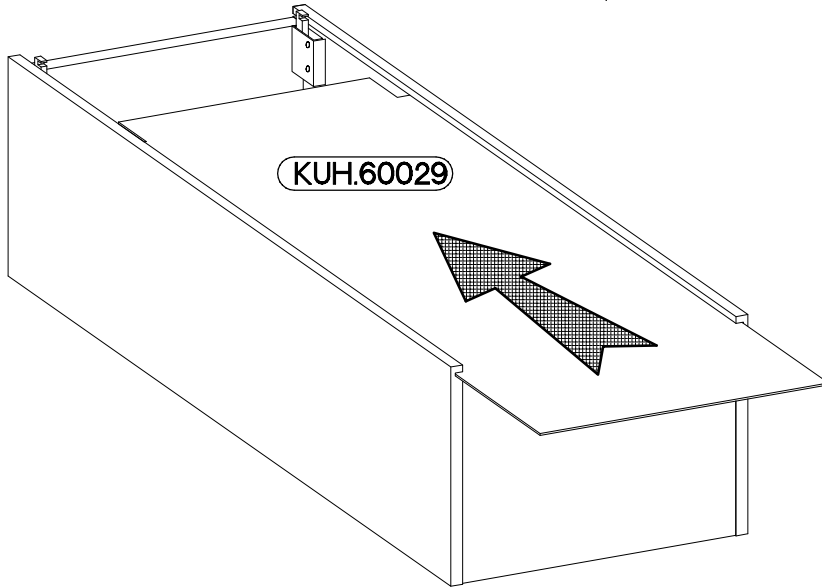
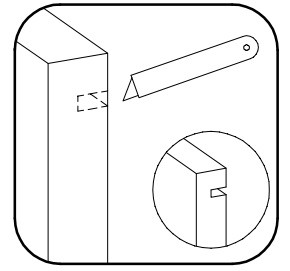
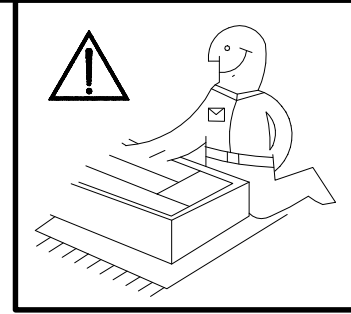
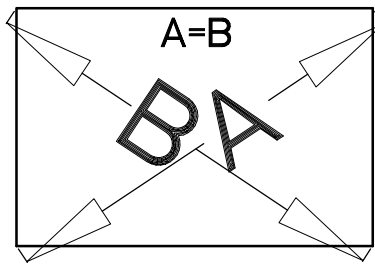


# 3

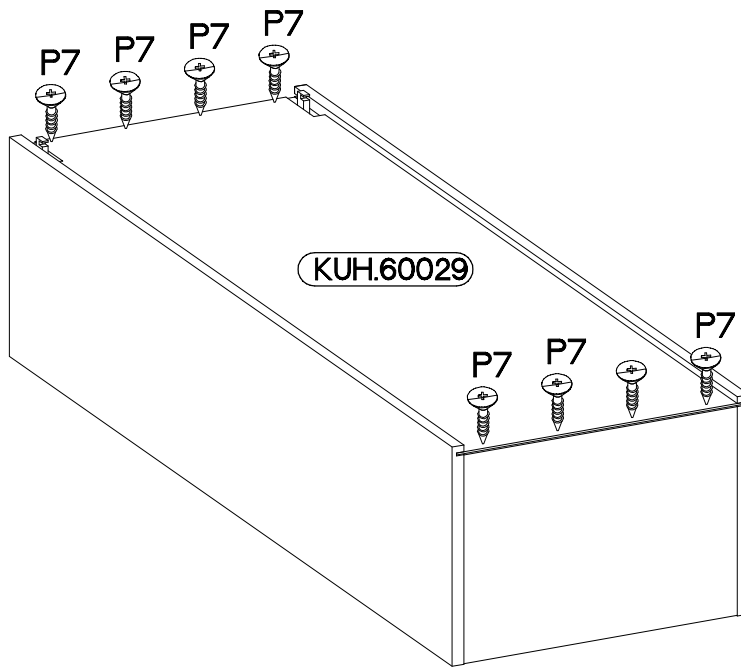
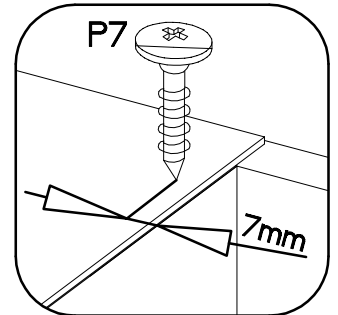
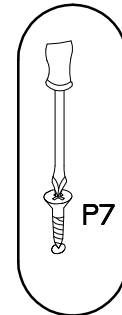
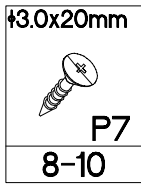
6,4 x 50mm		
		
B	O	E1
4	1	4



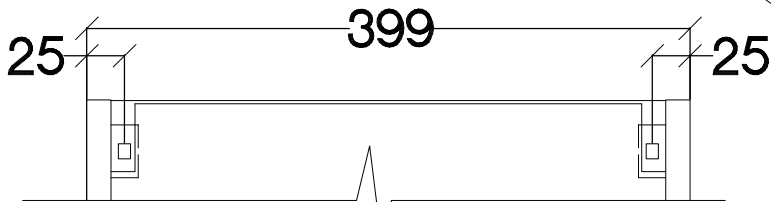
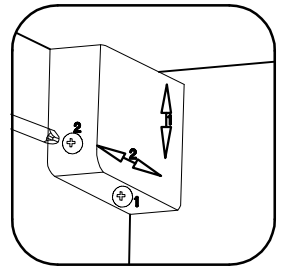
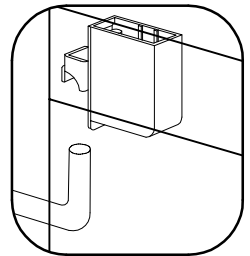
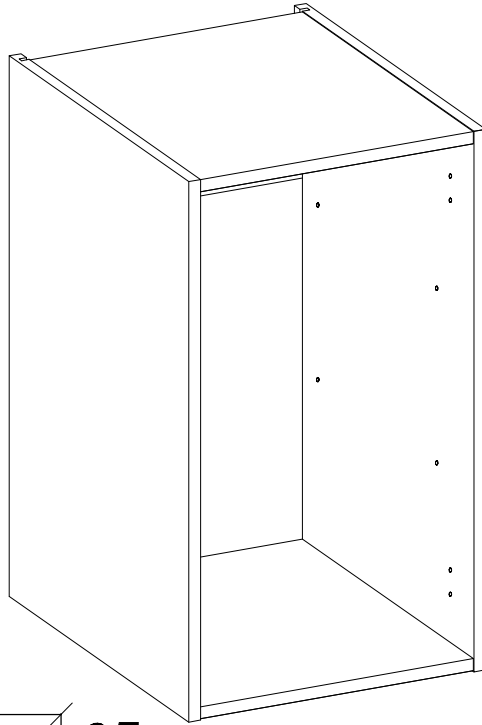
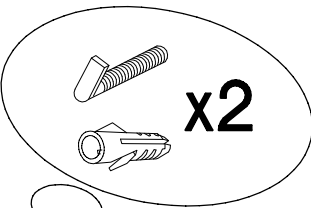
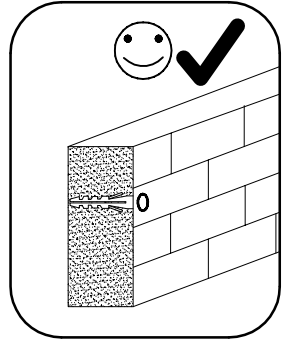
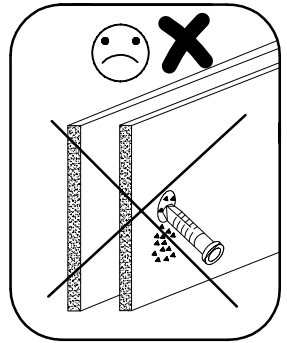
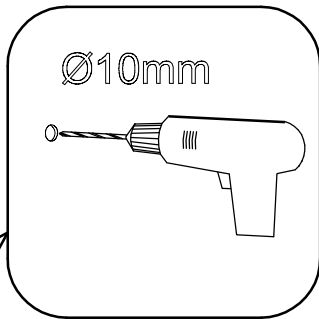
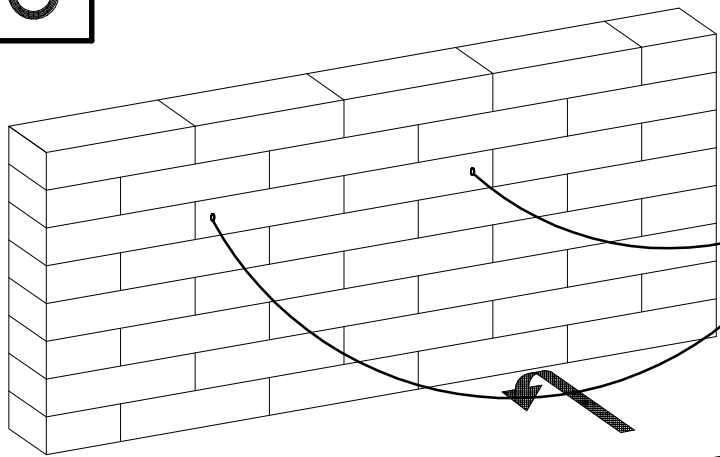
4



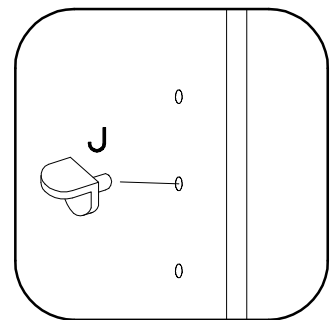
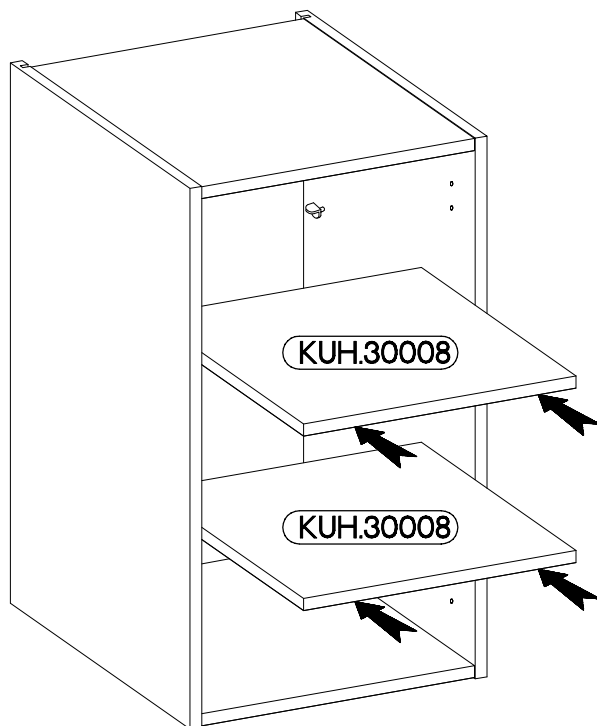
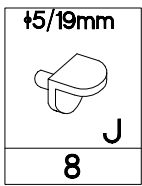
5

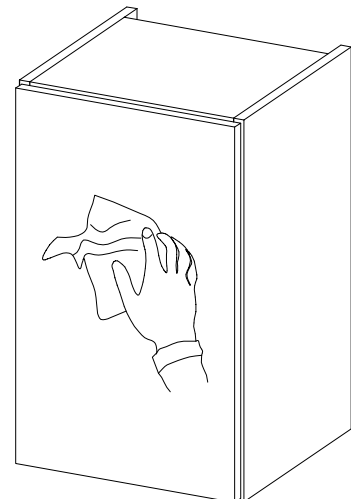
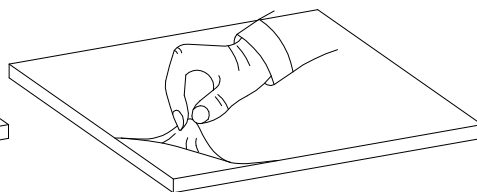
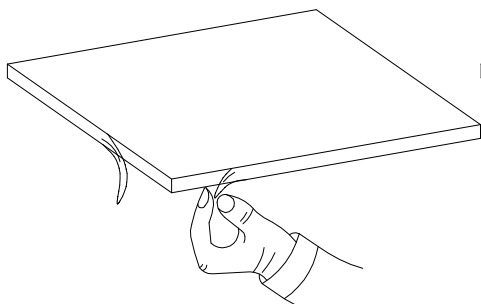
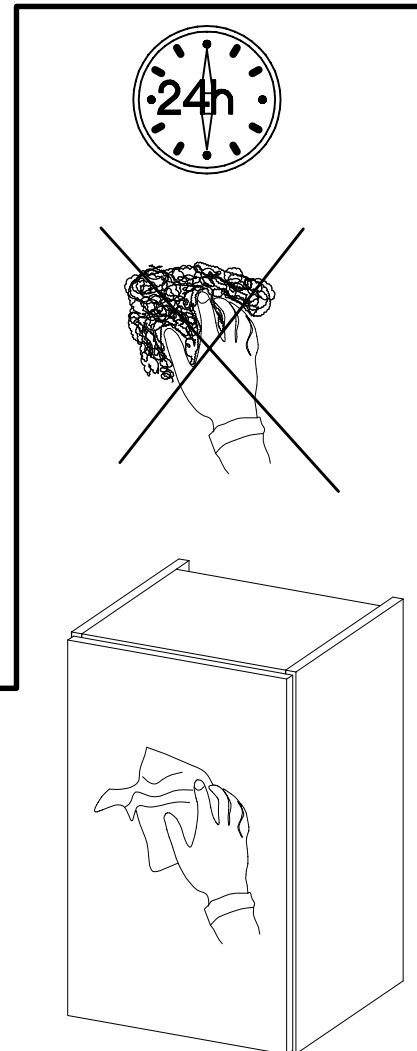
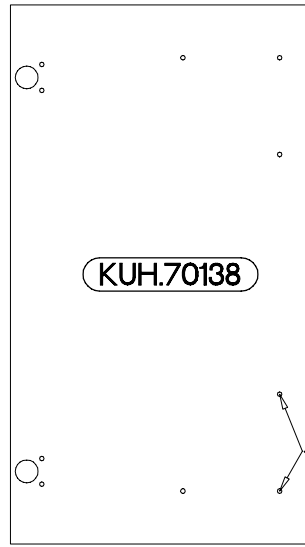
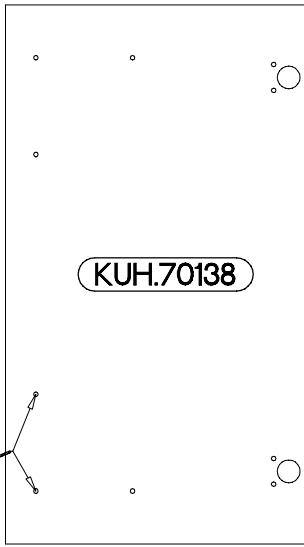
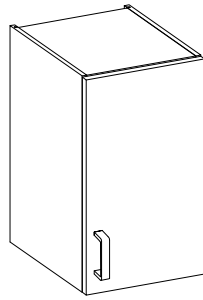
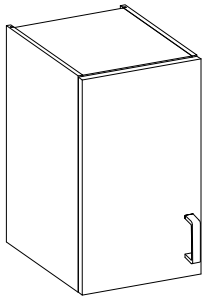
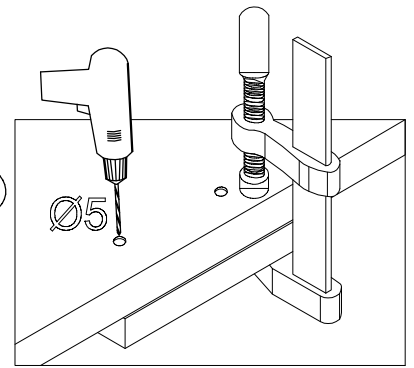
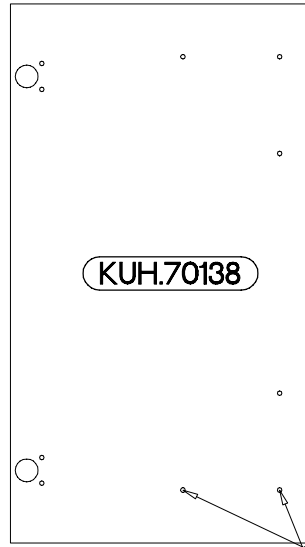
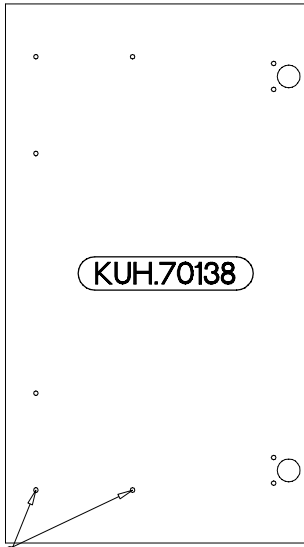
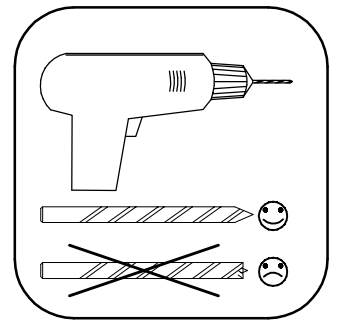
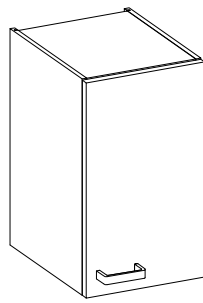
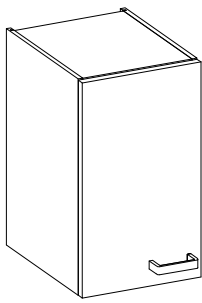



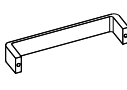
6



7





M4x22mm		
2	U	S23
2		1

