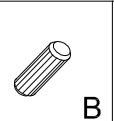
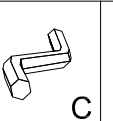
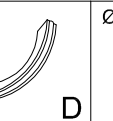
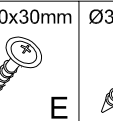
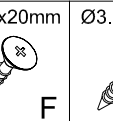
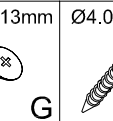
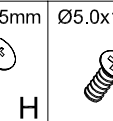
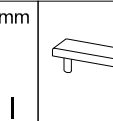

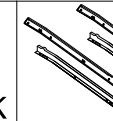

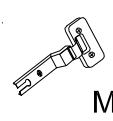
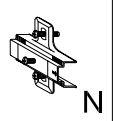
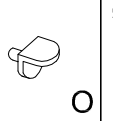
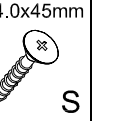
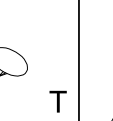
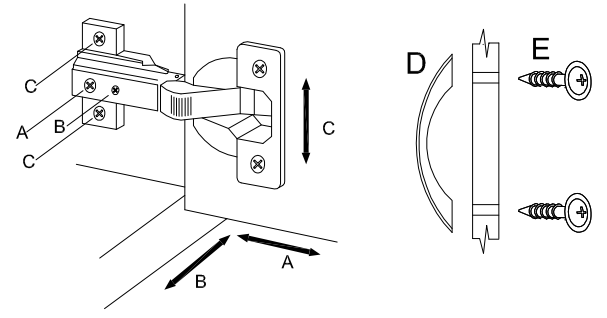
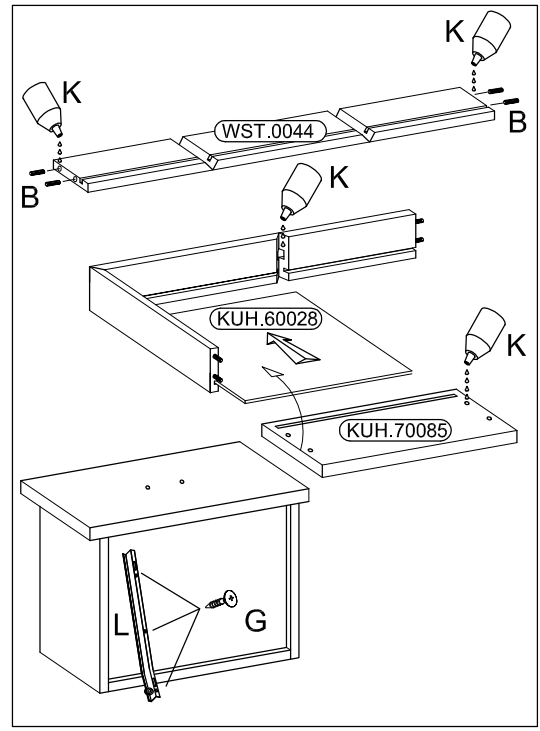
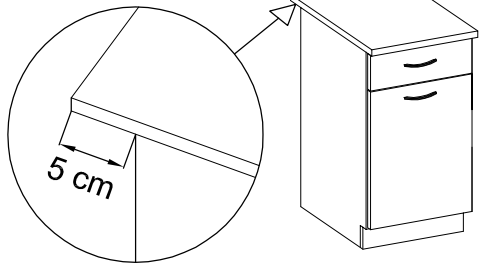
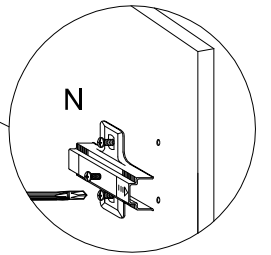
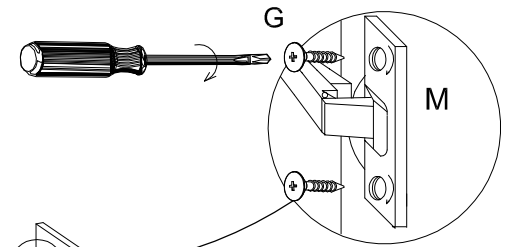
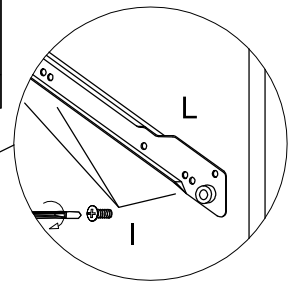
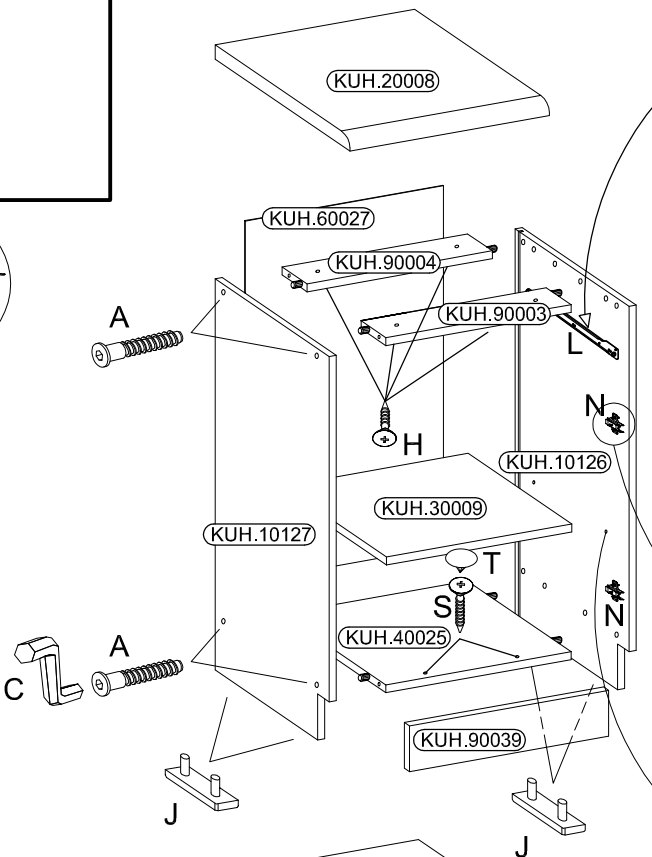
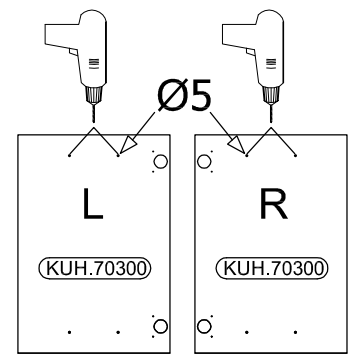
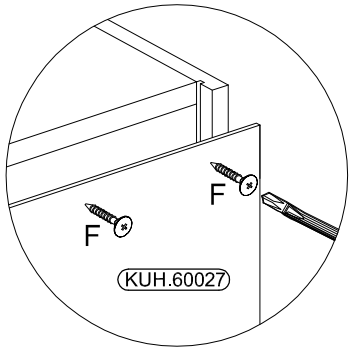
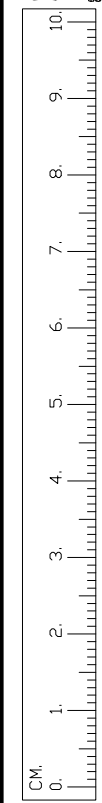
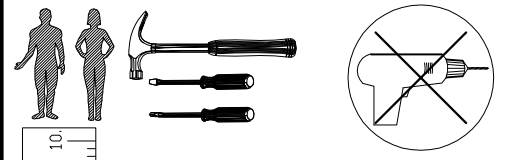
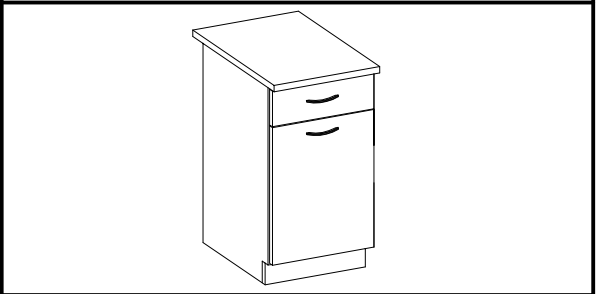
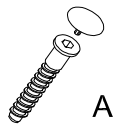
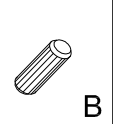
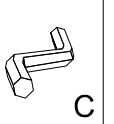
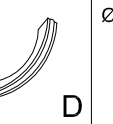
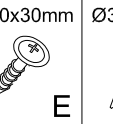
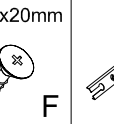
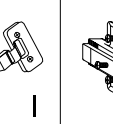
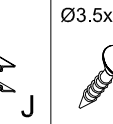
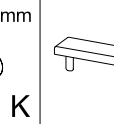
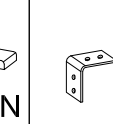
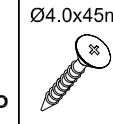
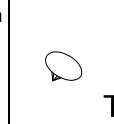

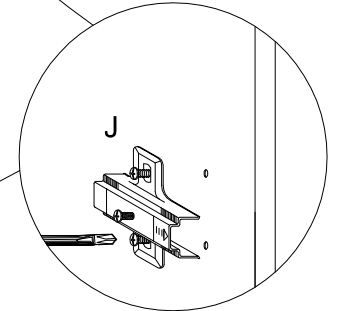
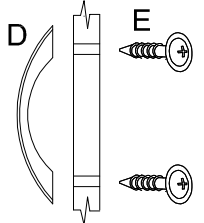
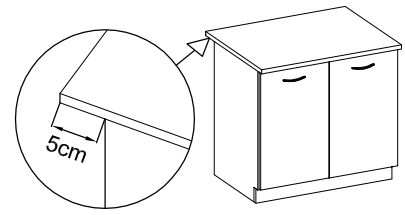
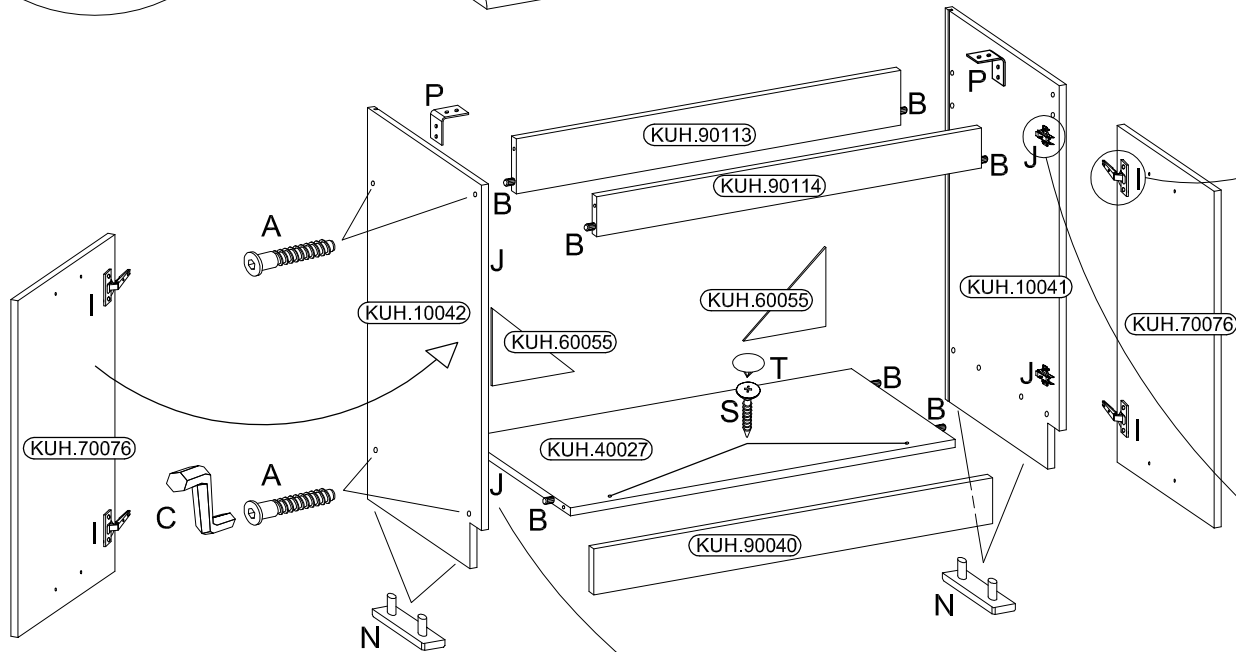
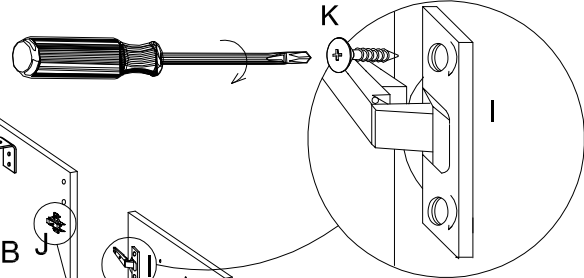
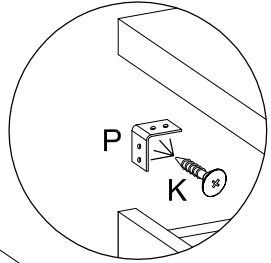
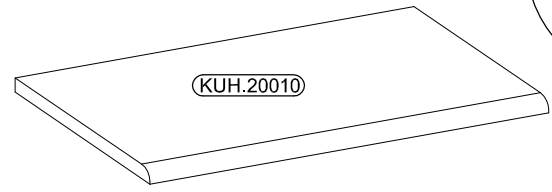
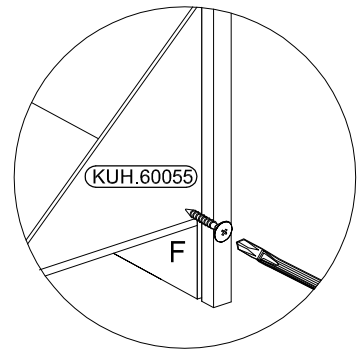
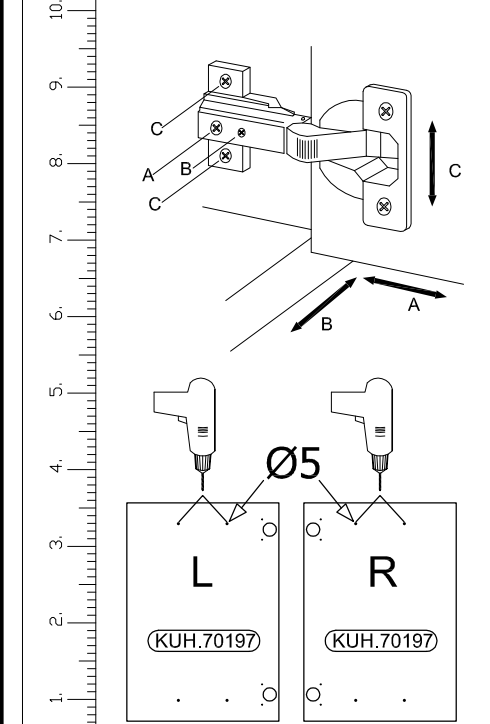
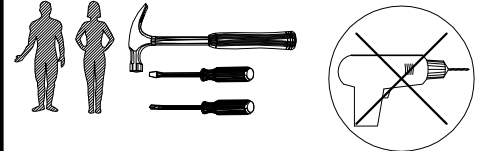
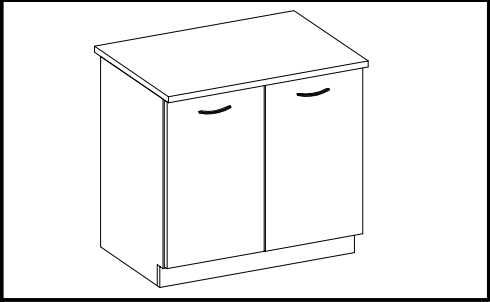
 A	 B	 C	 D	 E	 F	 G	 H	 I	 J	 K	 L
8	12	1	2	4	10	10	4	6	4	1	1
 M	 N	 O	 S	 T							
2	2	4	2	2							

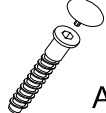
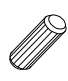
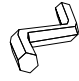




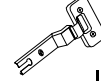
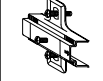

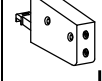

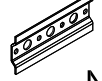


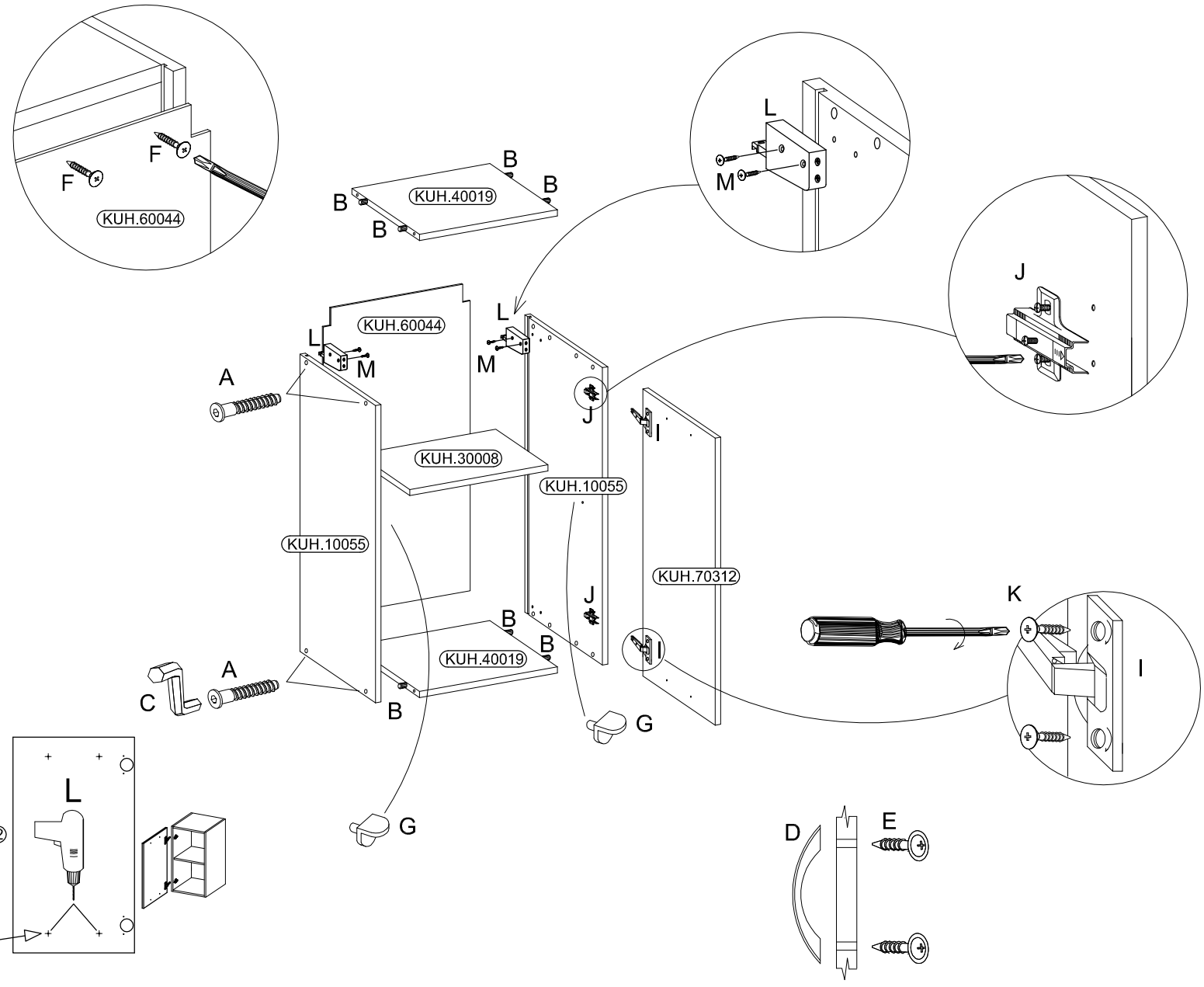
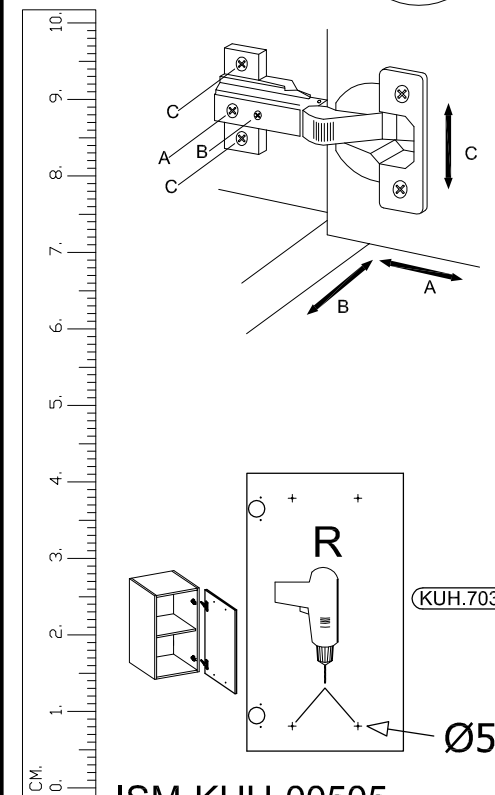
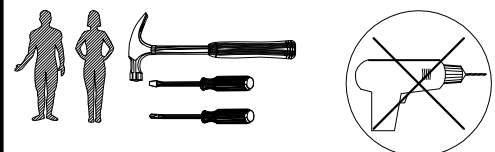
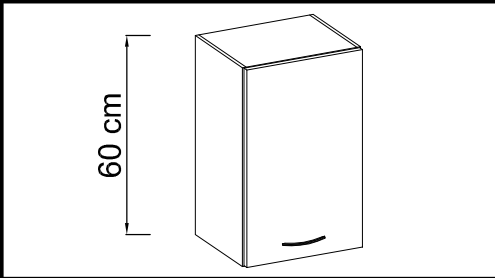
ISM-KUH-00502

												
8	8	1	2	4	10-15	4	4	16	4	2	2	2

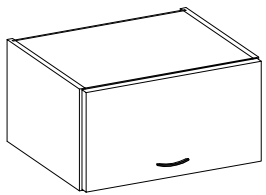


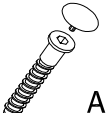





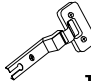
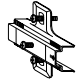

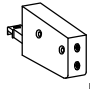

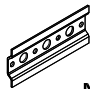


ISM-KUH-00501

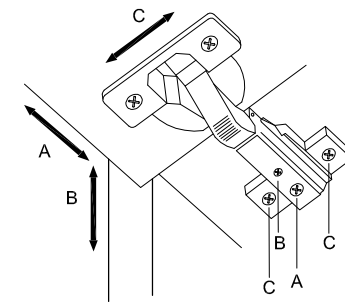
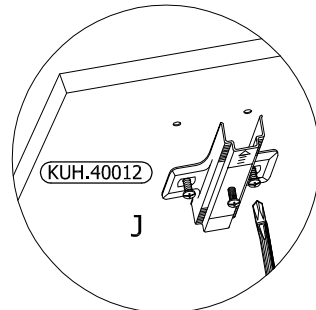
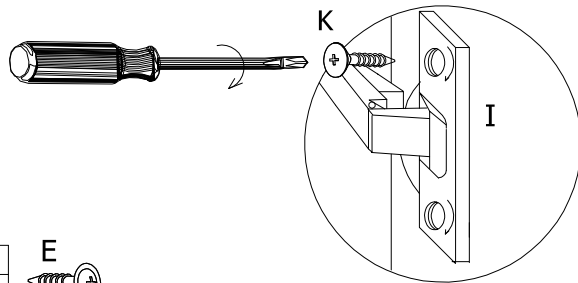
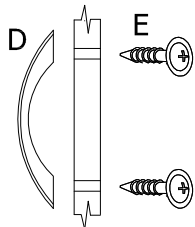
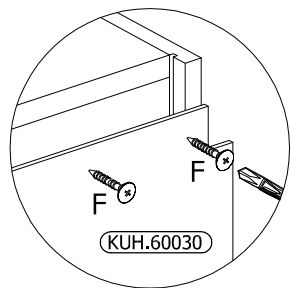
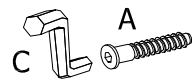
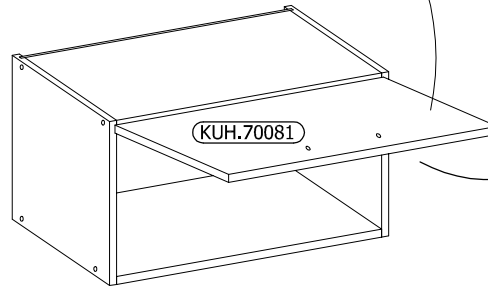
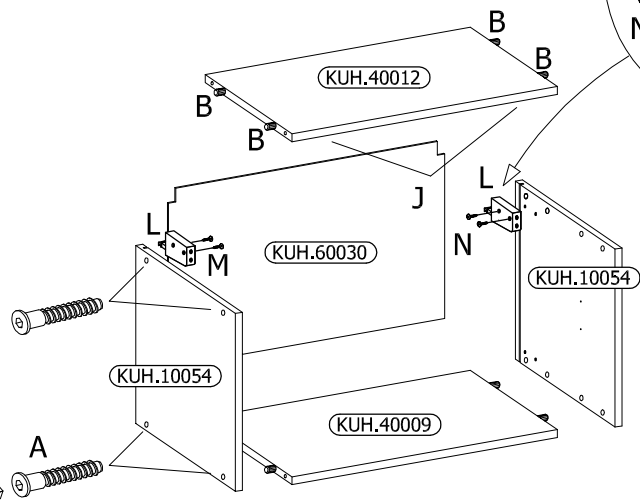
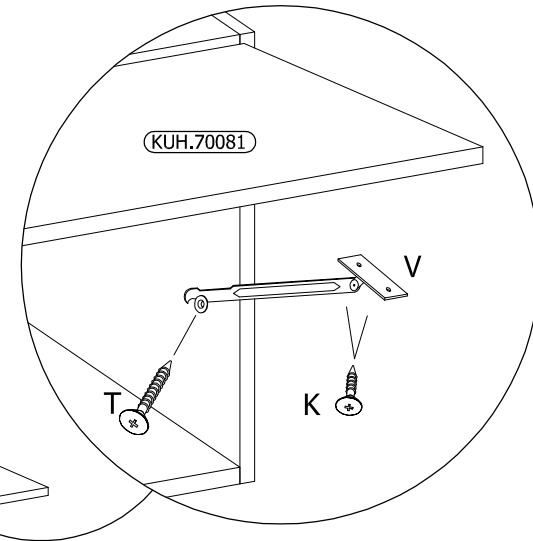
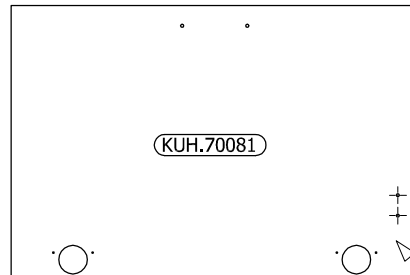
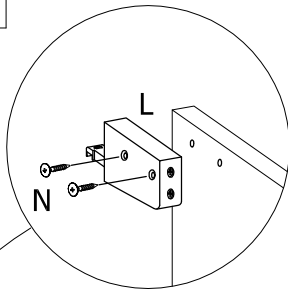
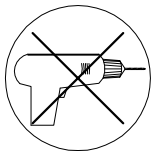
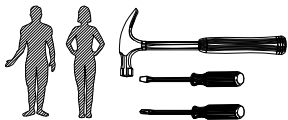
												
8	8	1	1	2	10	4	2	2	4	2	4	2



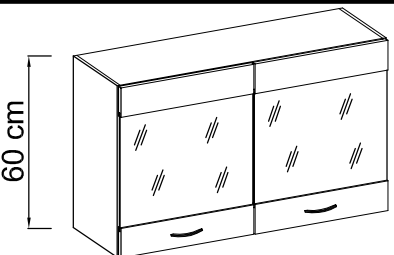
ISM-KUH-00505



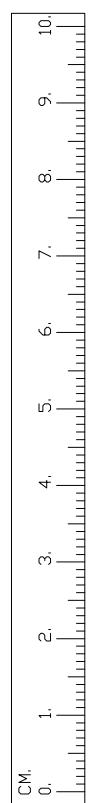
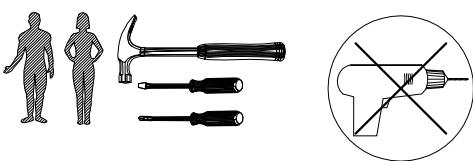
 A 8	 B 8	 C 1	 D 1	 E 2	 F 10-15	 I 2	 J 2	 K 6	 L 2	 N 4	 N 2
 T 1		 V 1									

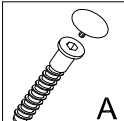
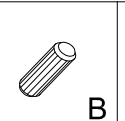
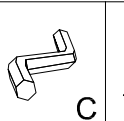
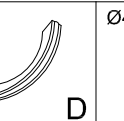
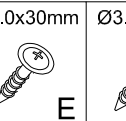
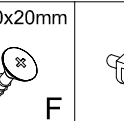
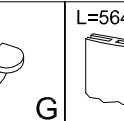
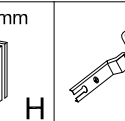
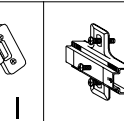
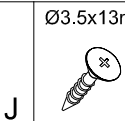
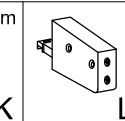
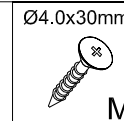

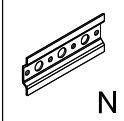
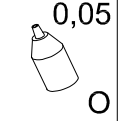


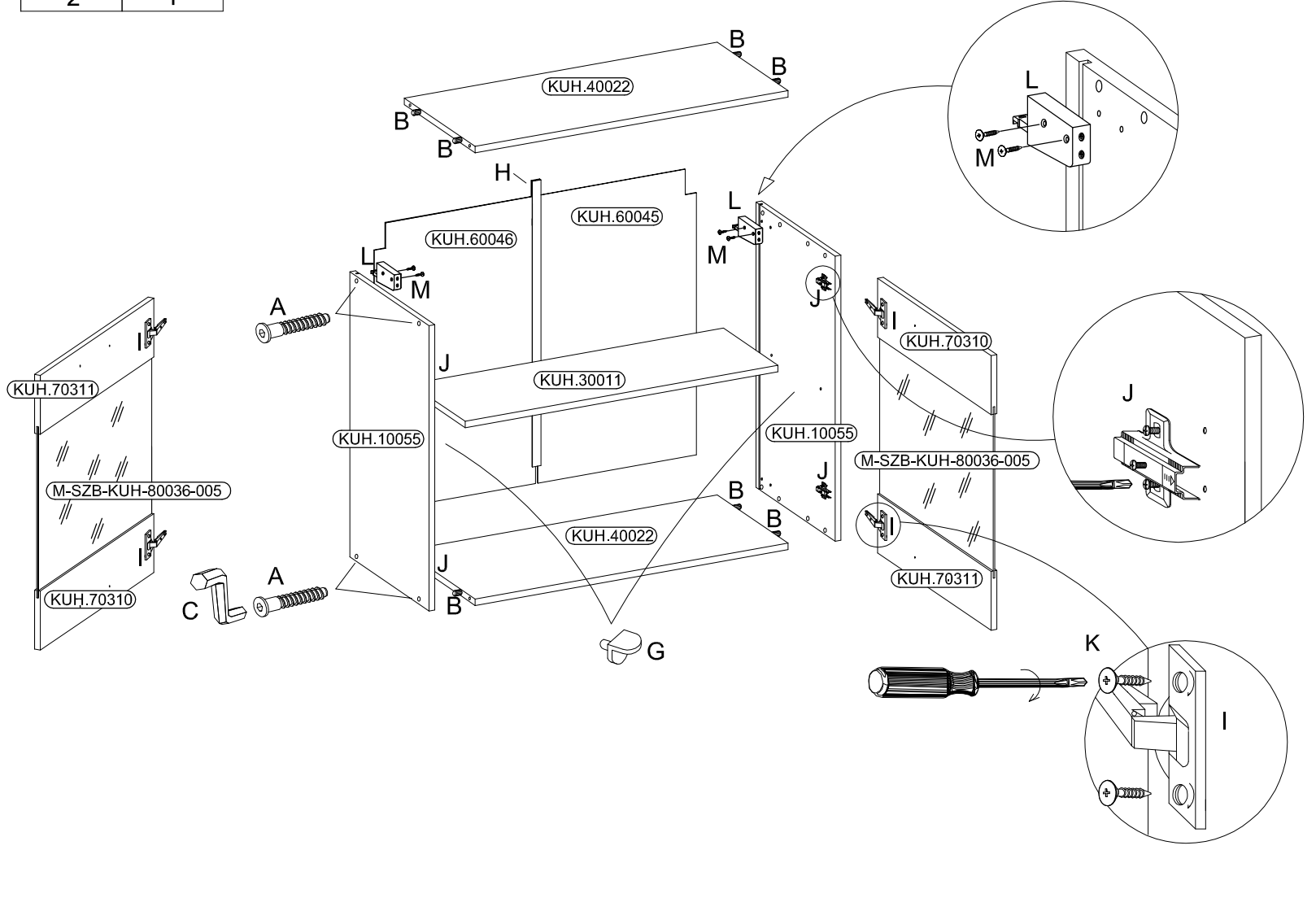
ISM-KUH-00506



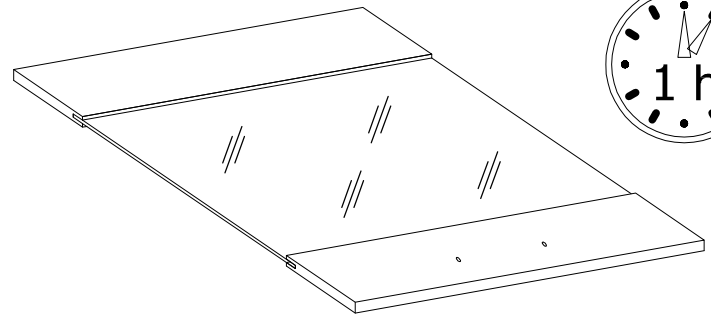
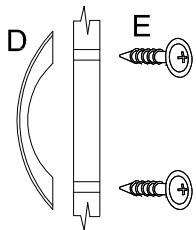
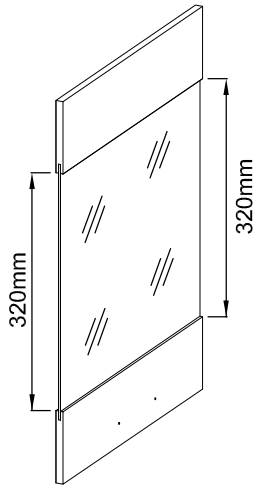
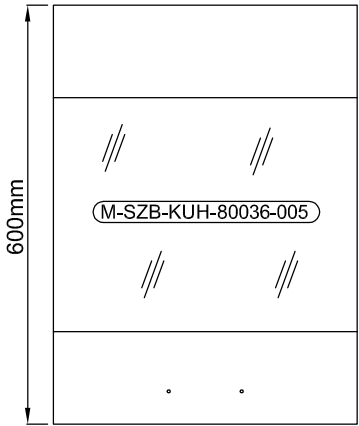
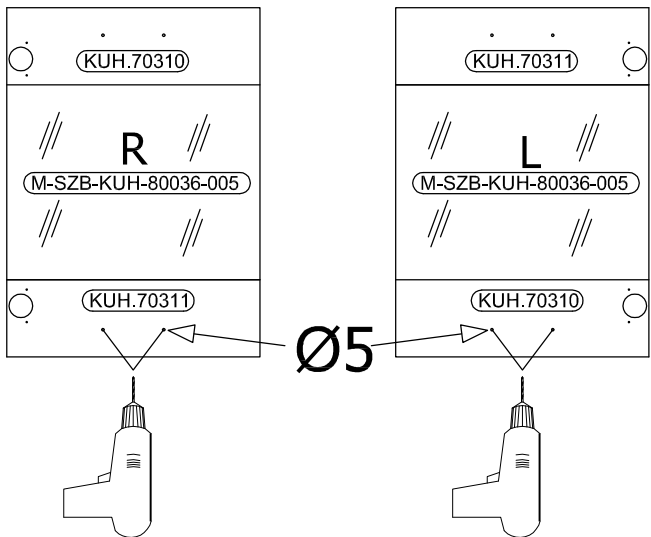
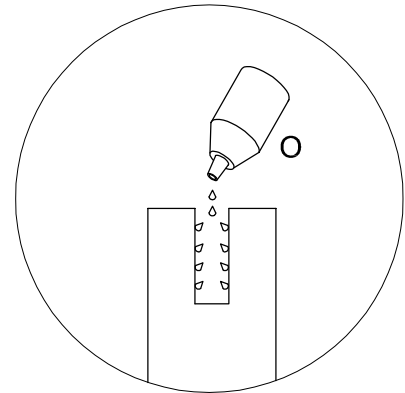
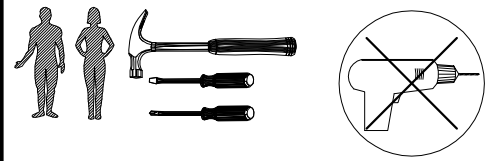
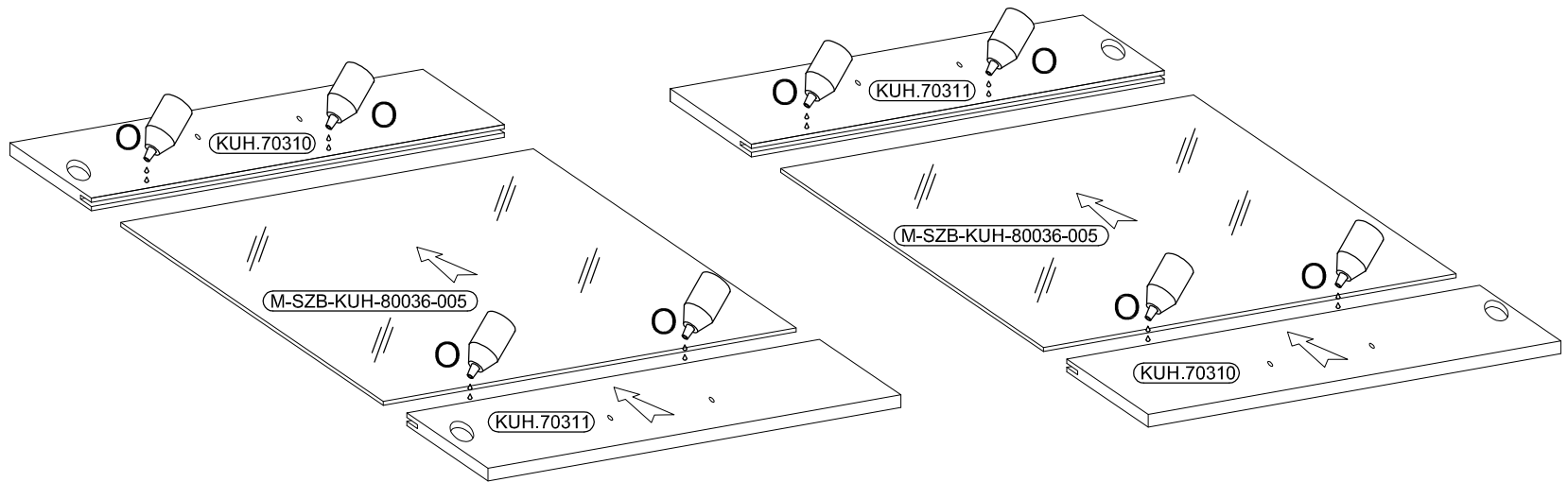
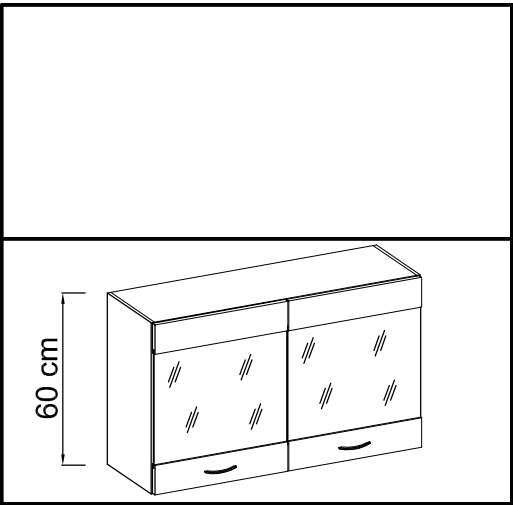
60 cm

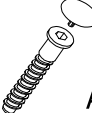

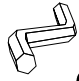


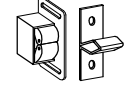



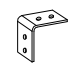



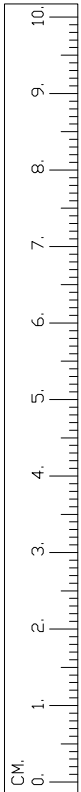
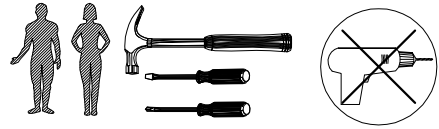
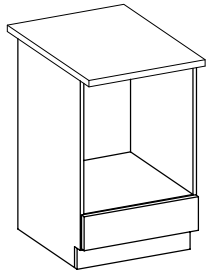
 A 8	 B 8	 C 1	 D 2	 E 4	 F 10	 G 4	 H 1	 I 4	 J 4	 K 8	 L 2	 M 4
 N 2	 O 1											



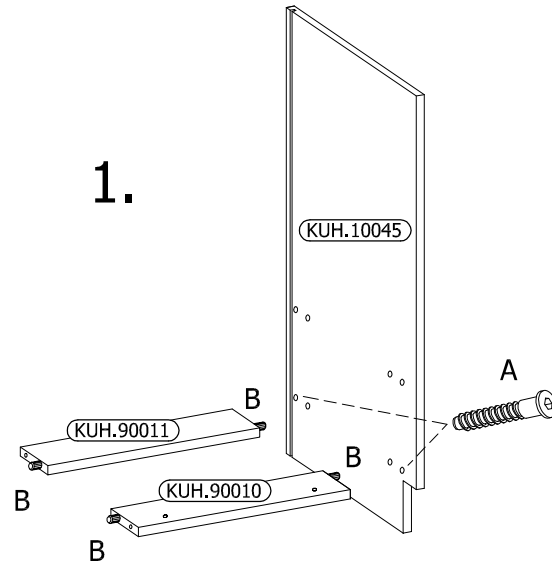
ISM-KUH-00504



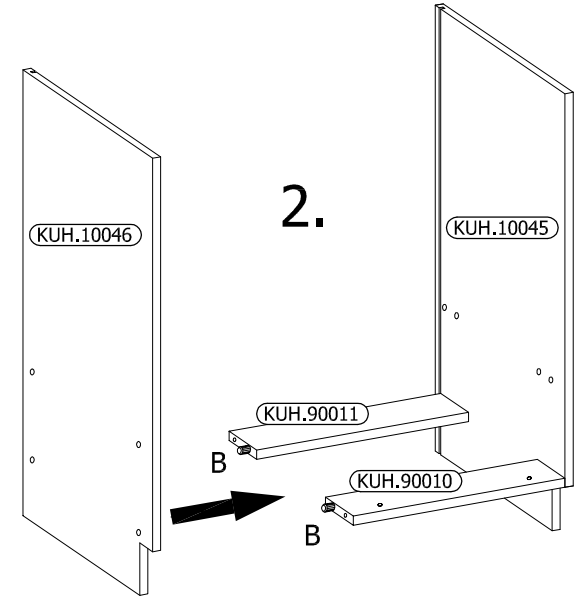
										
8	8	1	8	8	2	4	2	2	2	8



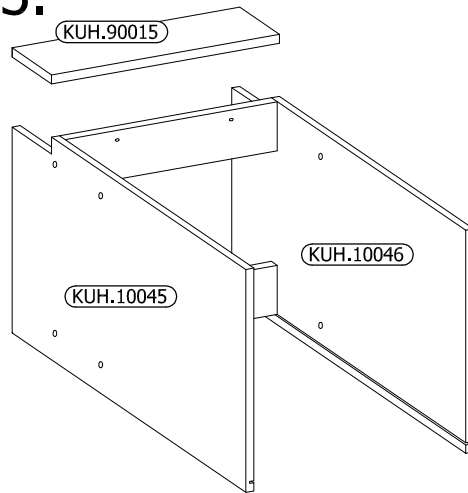
1.



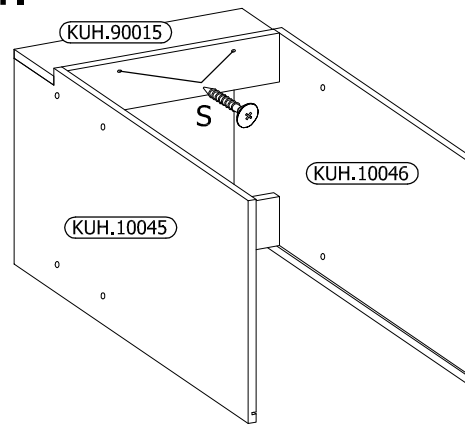
2.



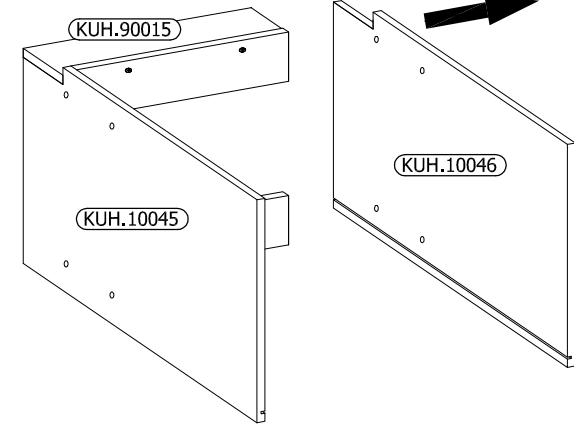
3.



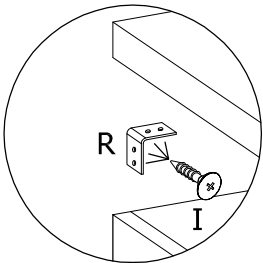
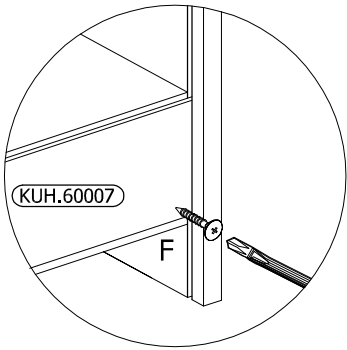
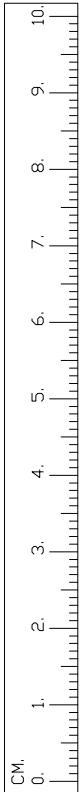
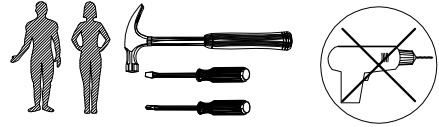
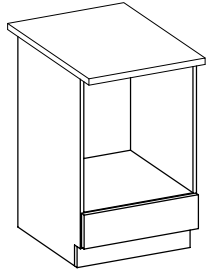
4.



5.



ISM-KUH-00596



6.

