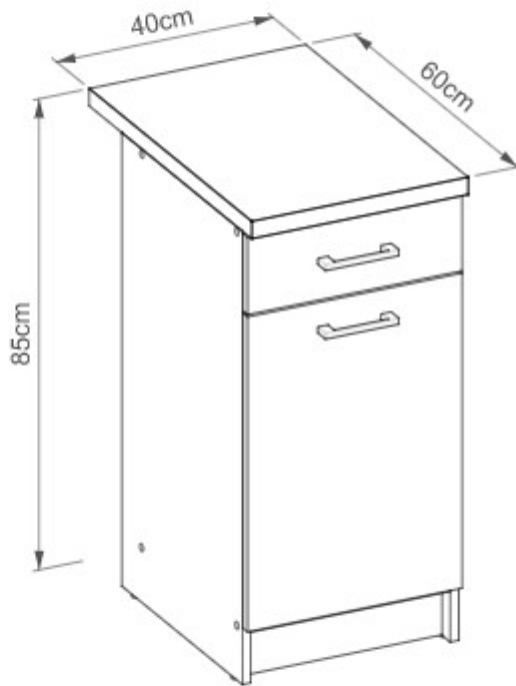
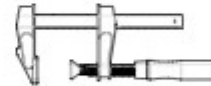


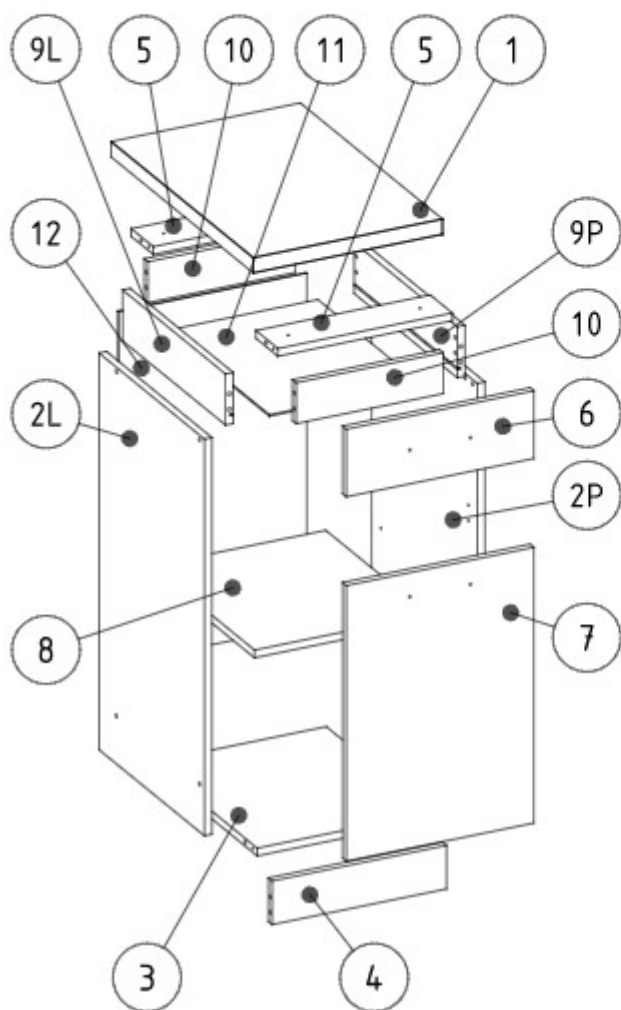


~80 min

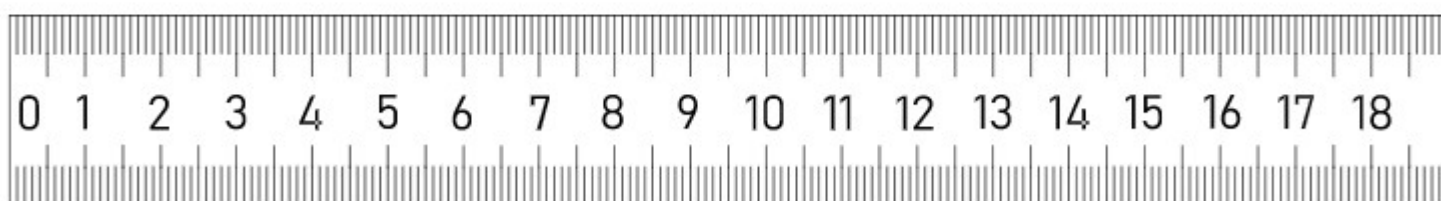
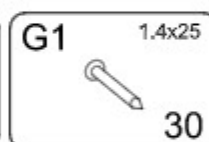
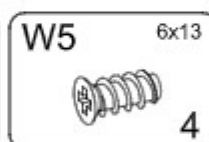
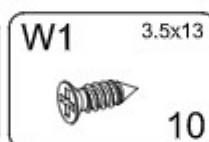
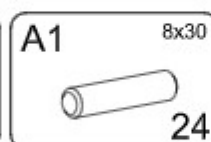
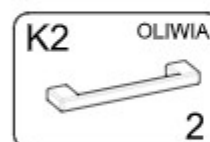
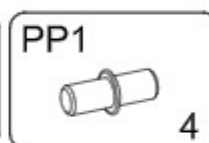
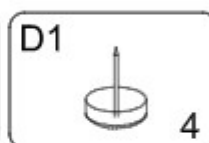
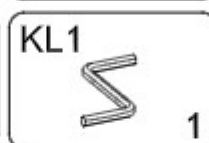
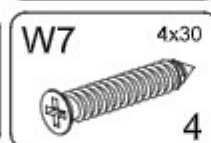
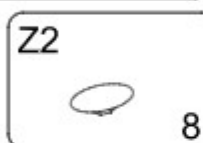
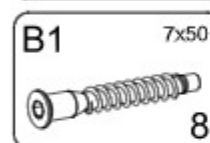
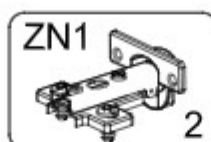
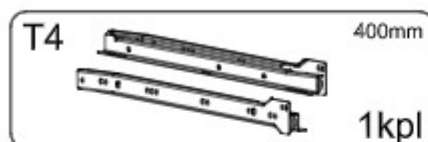


Ø 5mm





1	600x400x32mm	1
2L	820x445x16mm	1
2P	820x445x16mm	1
3	444x368x16mm	1
4	368x90x16mm	1
5	368x93x16mm	2
6	396x140x16mm	1
7	570x396x16mm	1
8	368x435x16mm	1
9L	435x105,5x16mm	1
9P	435x105,5x16mm	1
10	310x84,5x16mm	2
11	435x320x3mm	1
12	728x397x3mm	1

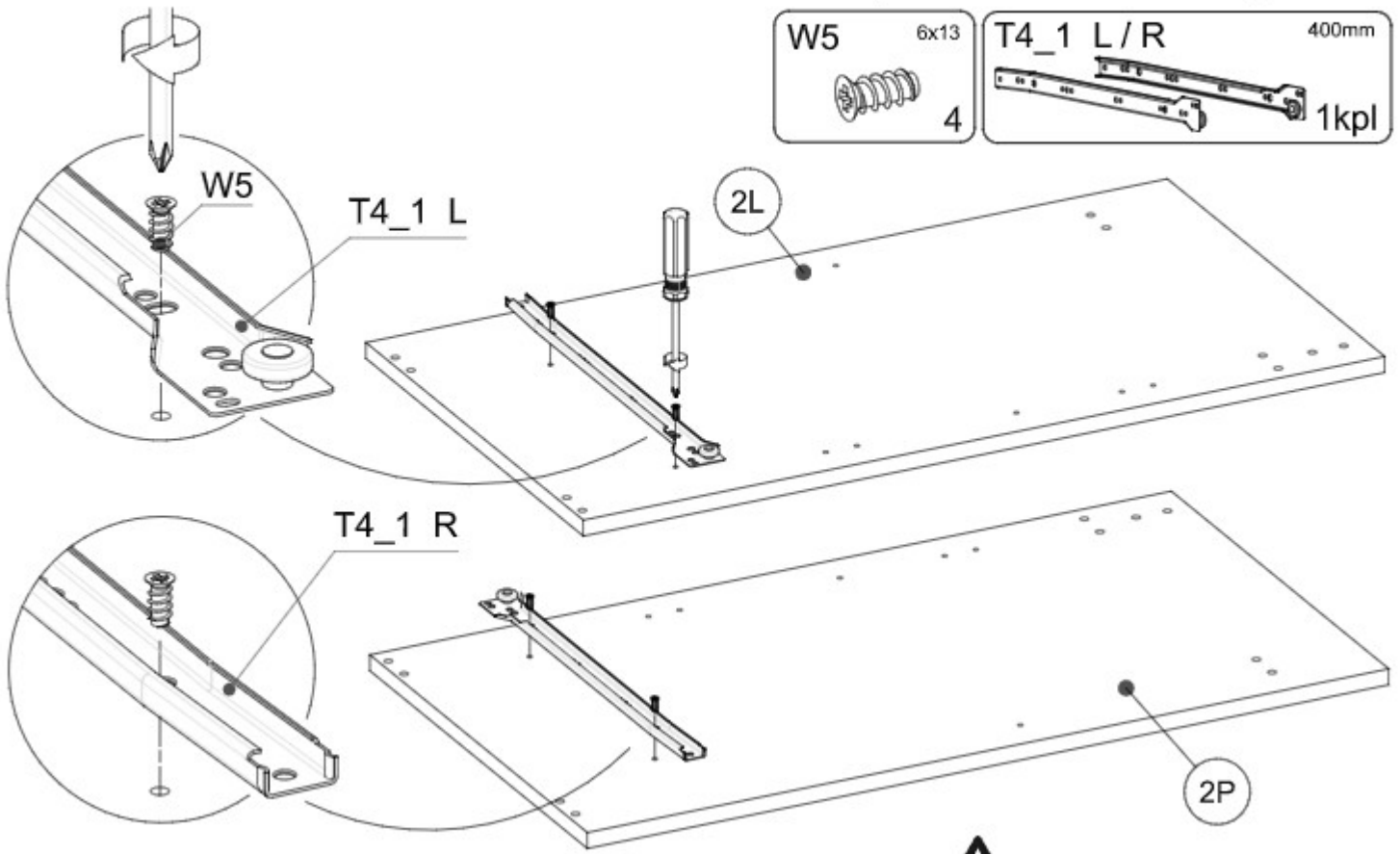


▶ 1



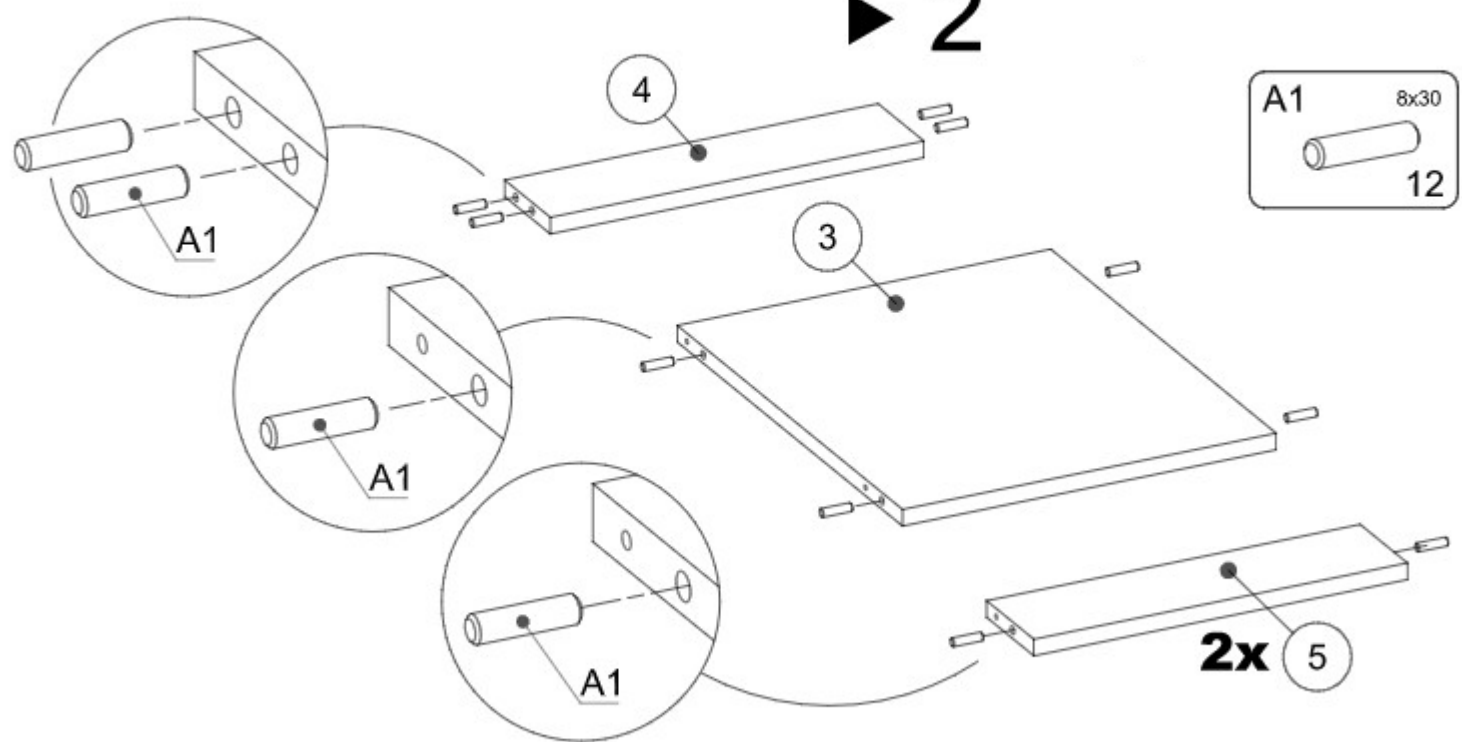
W5 6x13 4

T4_1 L/R 400mm 1kpl

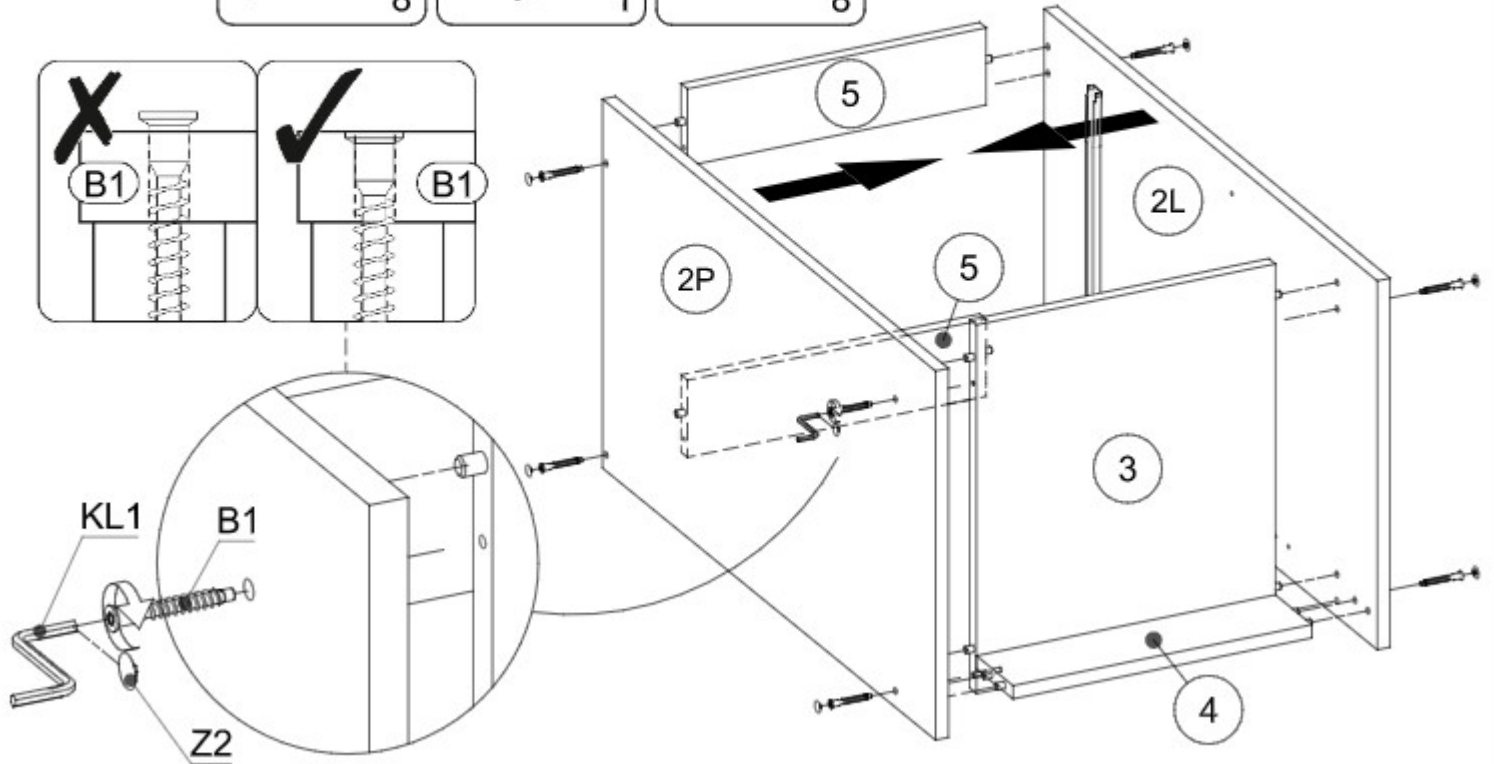
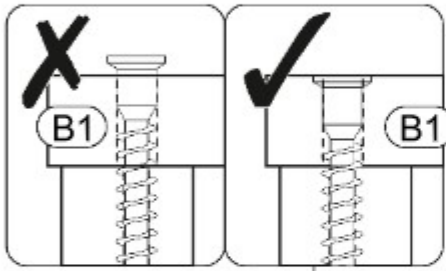
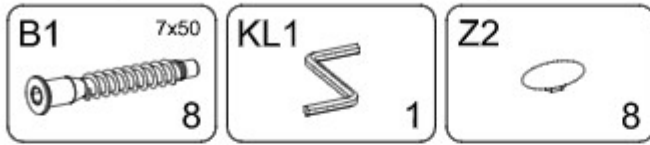


▶ 2

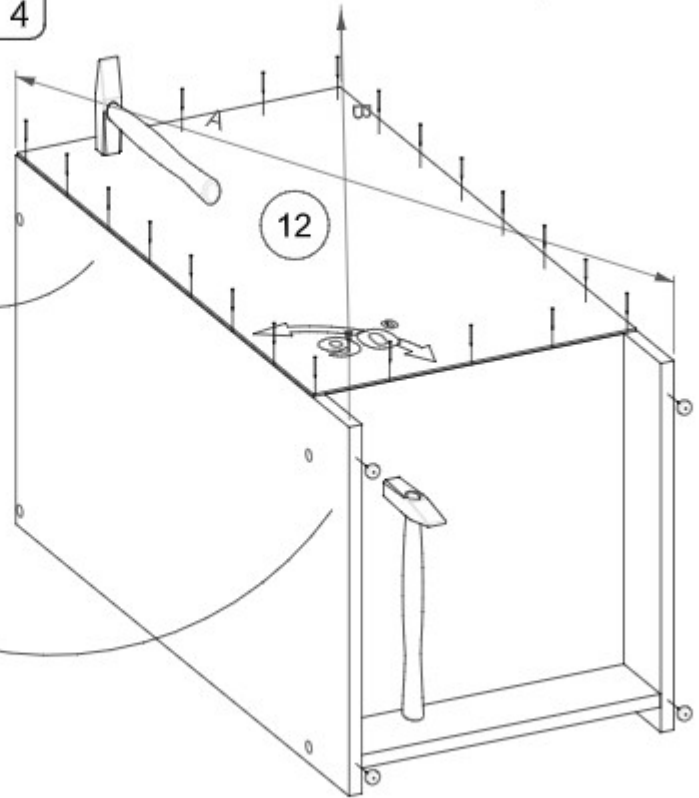
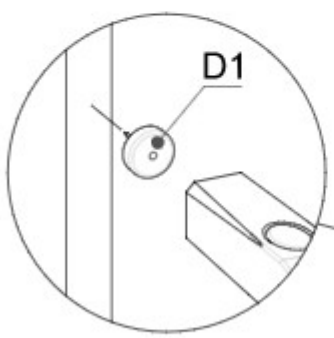
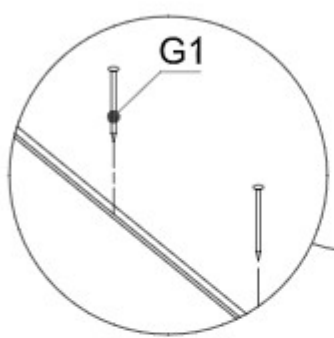
A1 8x30 12



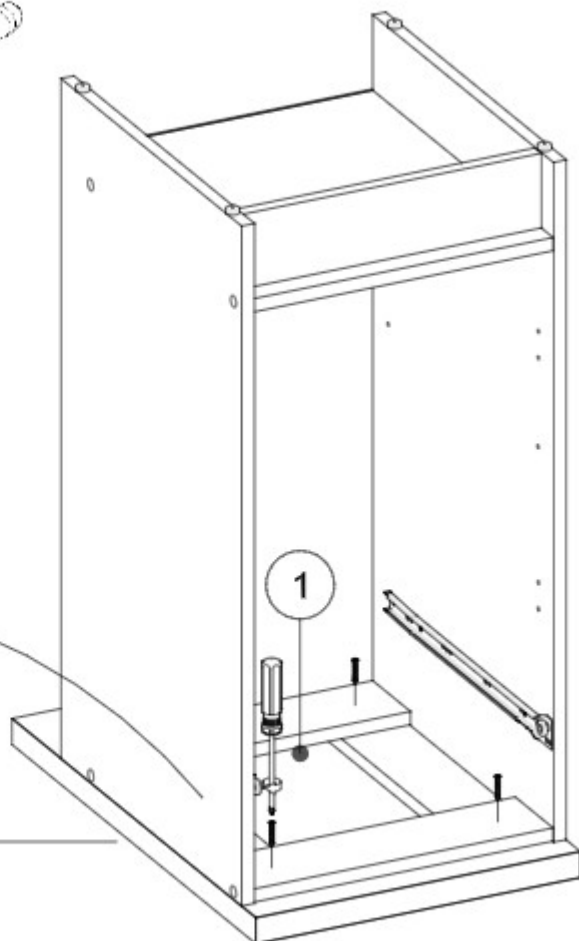
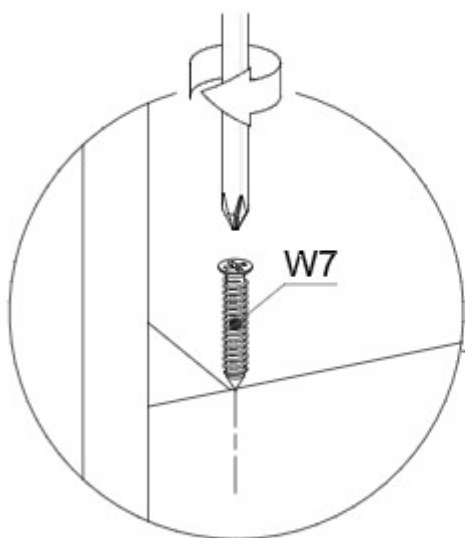
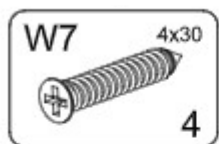
▶ 3



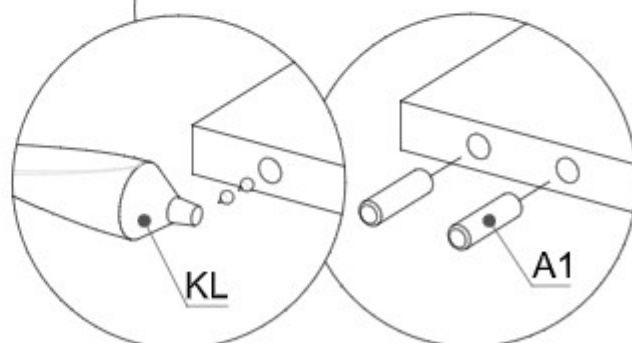
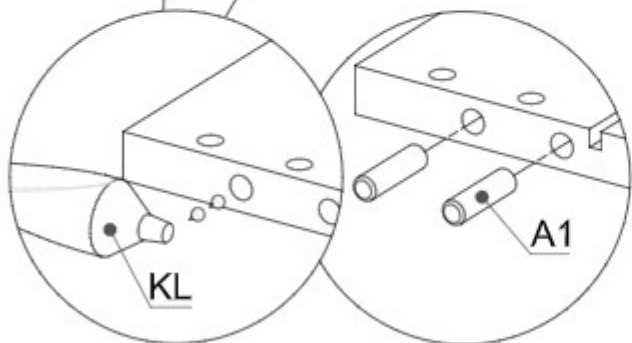
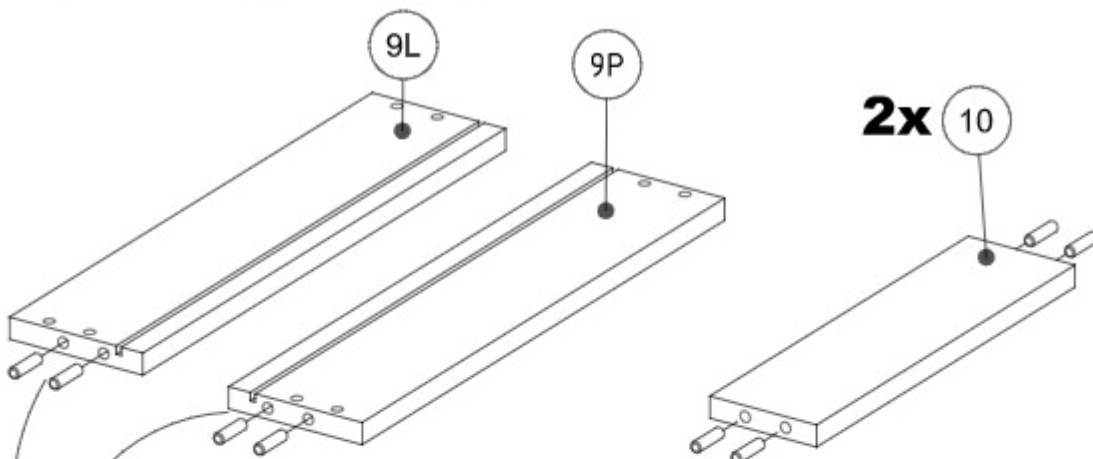
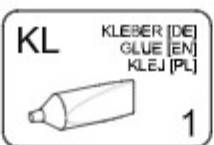
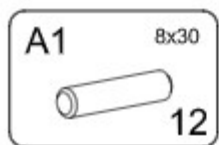
▶ 4

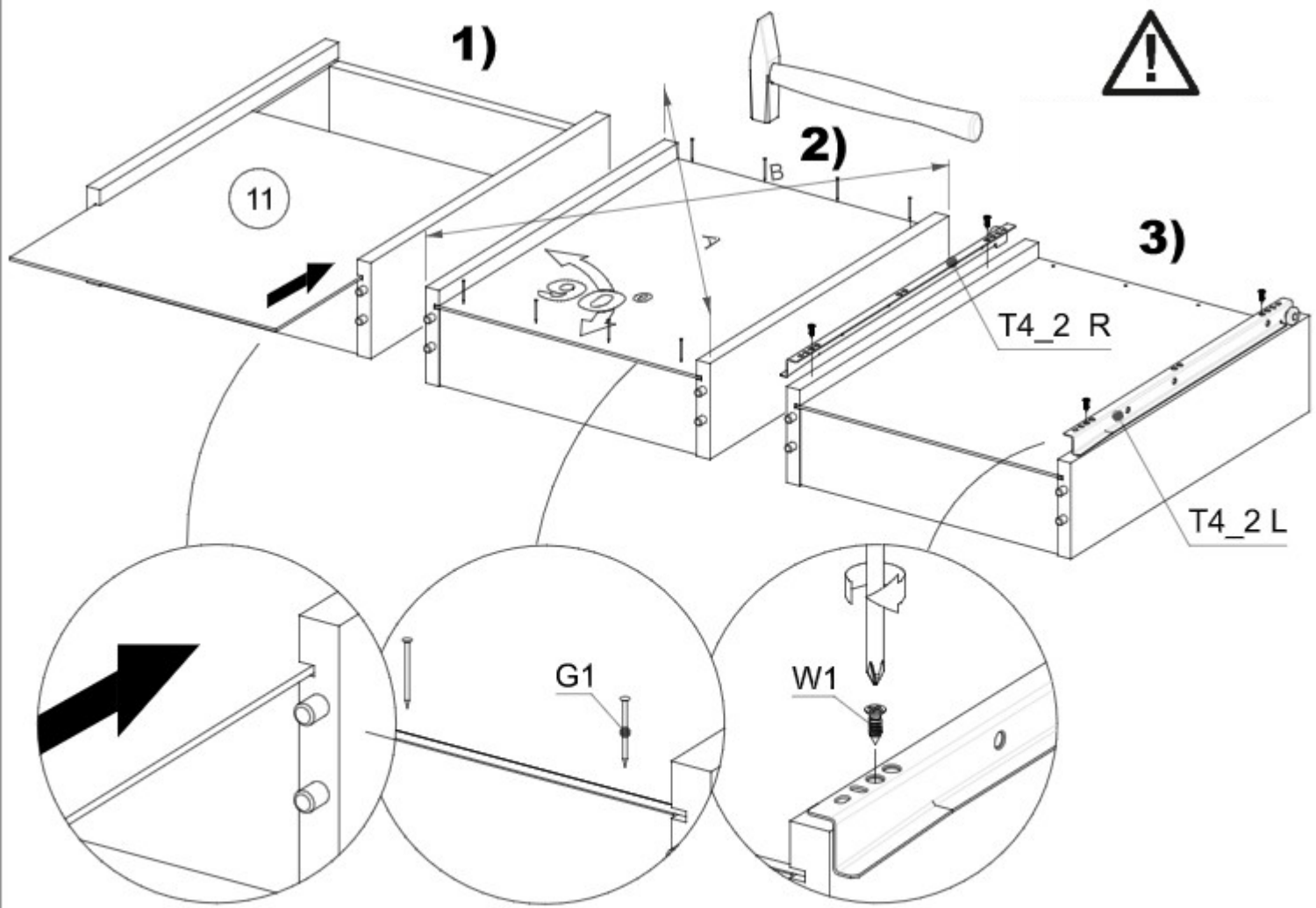
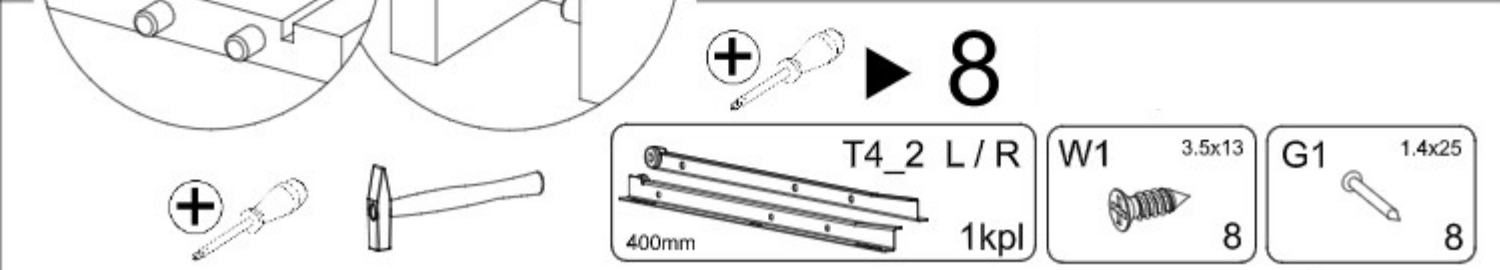
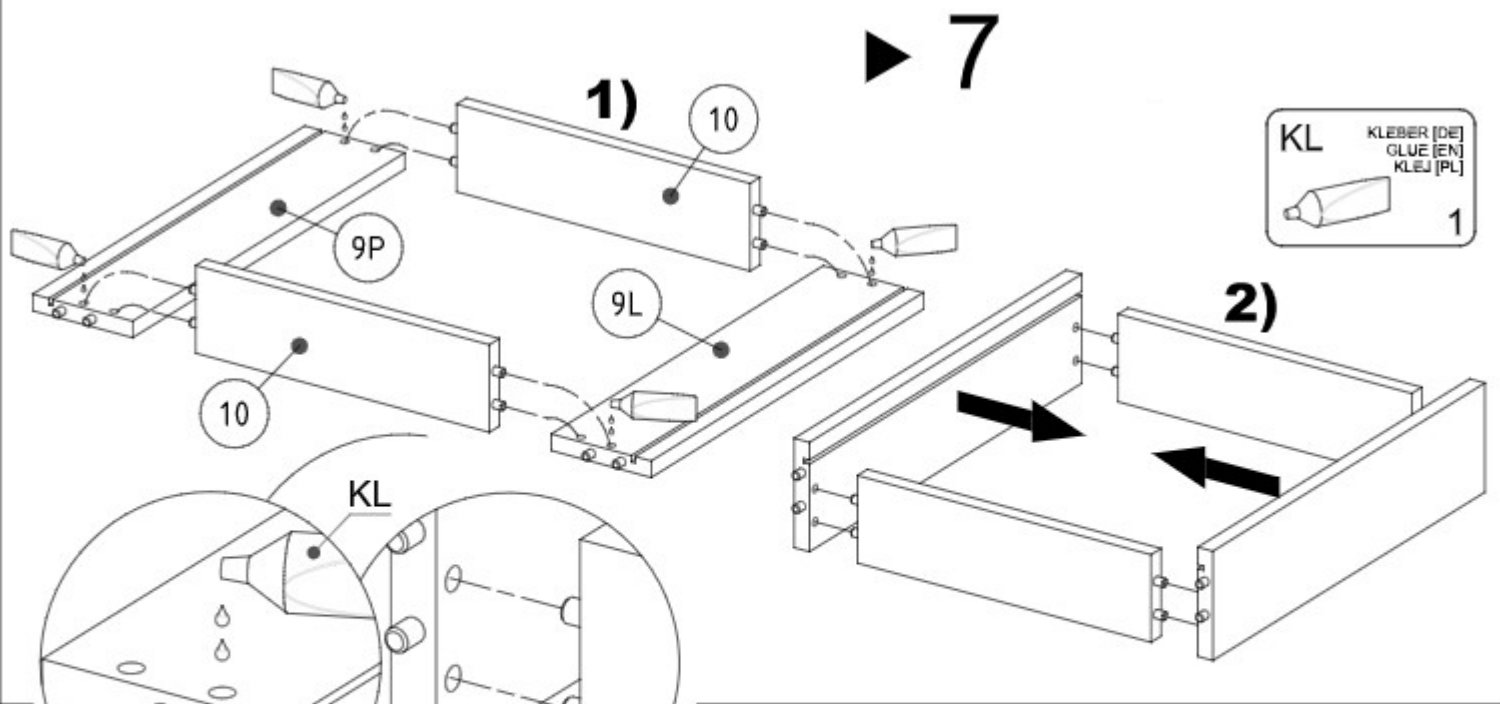


► 5

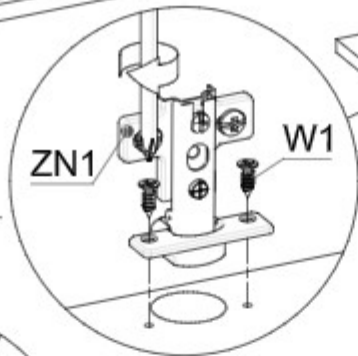
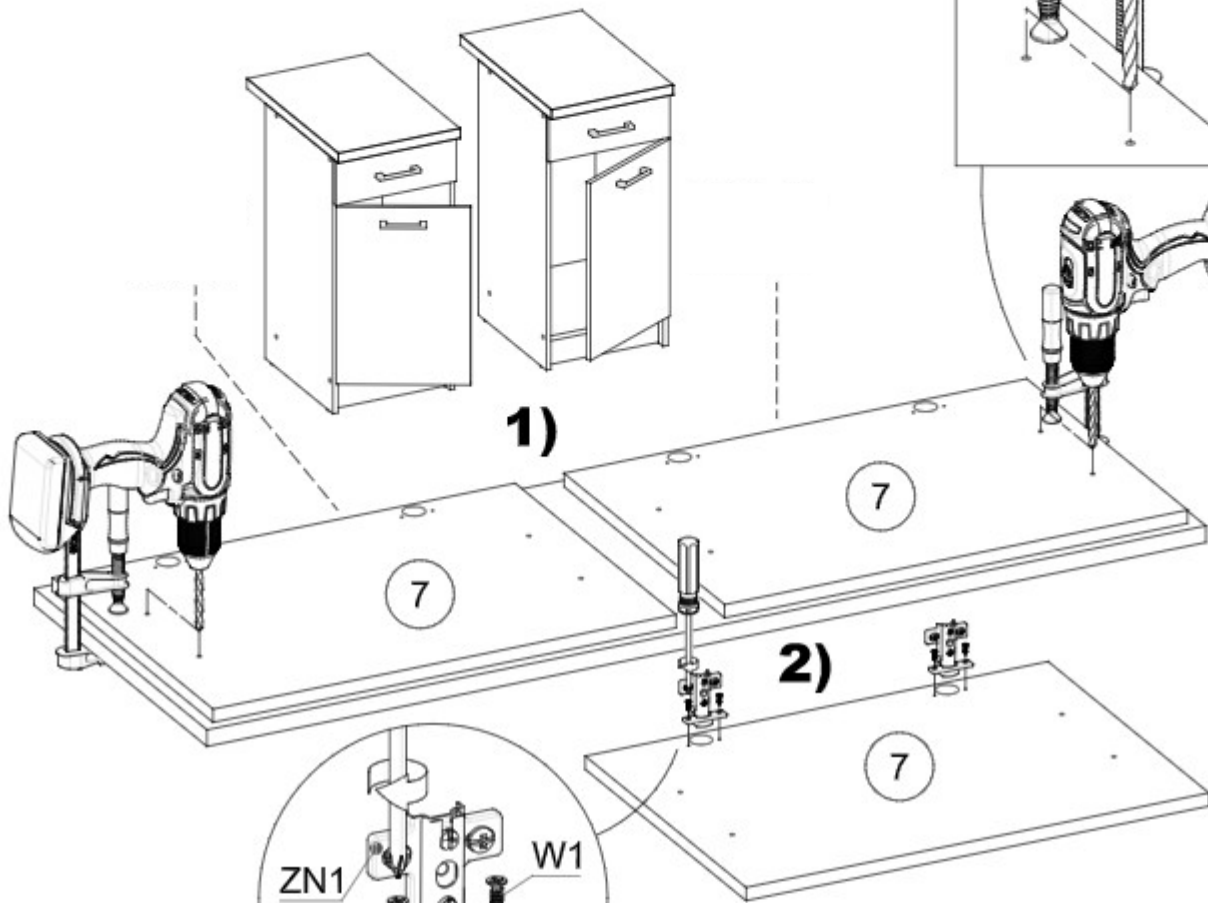
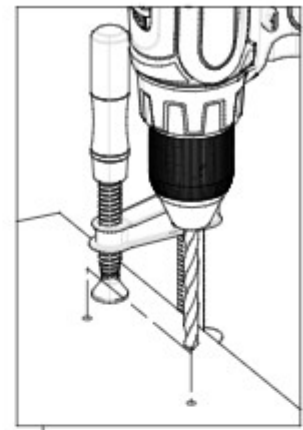
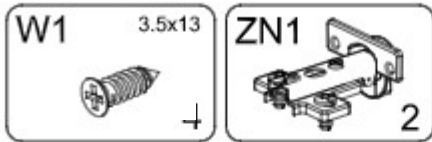


► 6

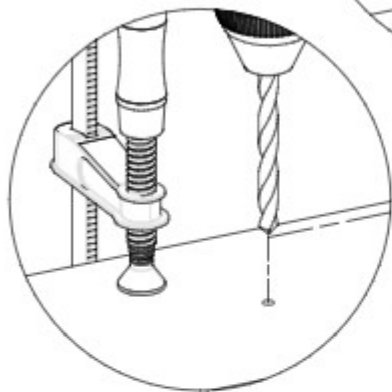




▶ 9

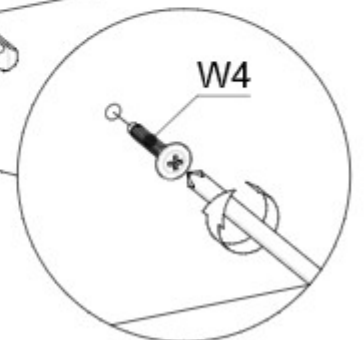
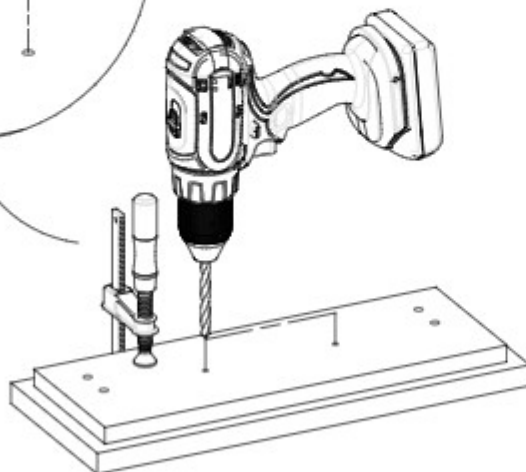


▶ 10

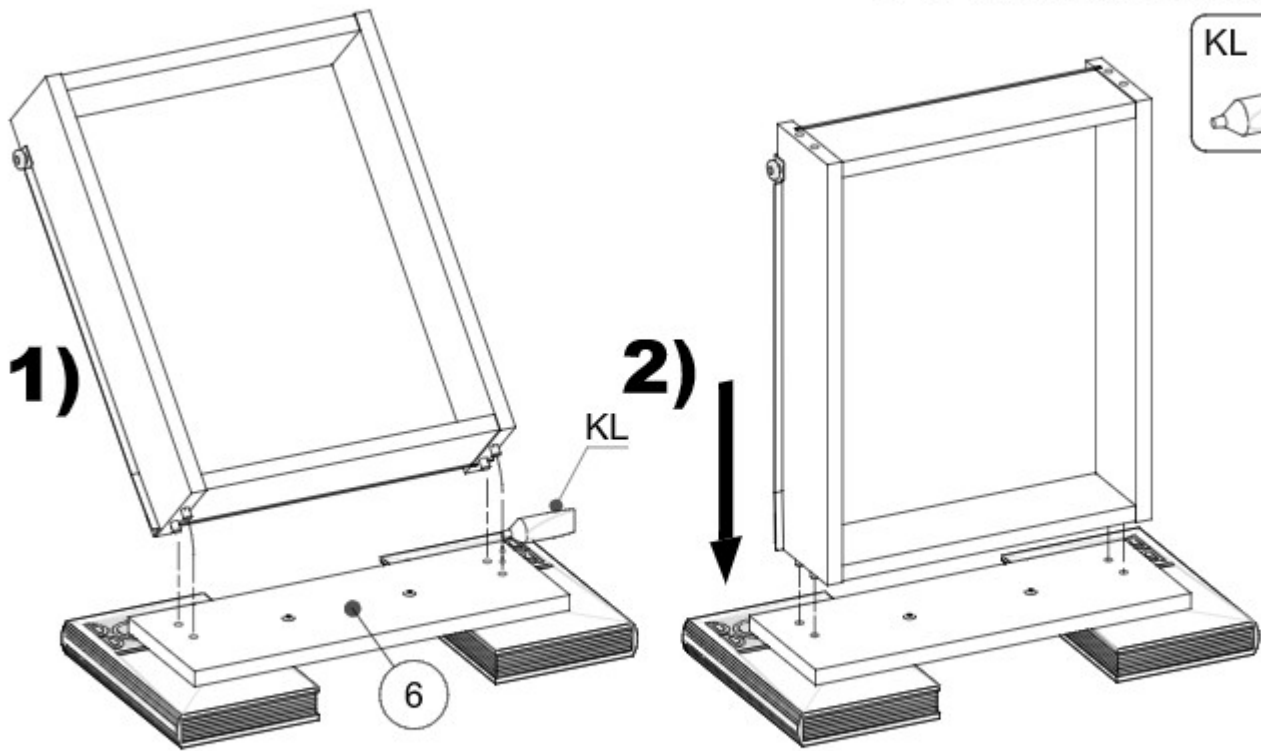


1)

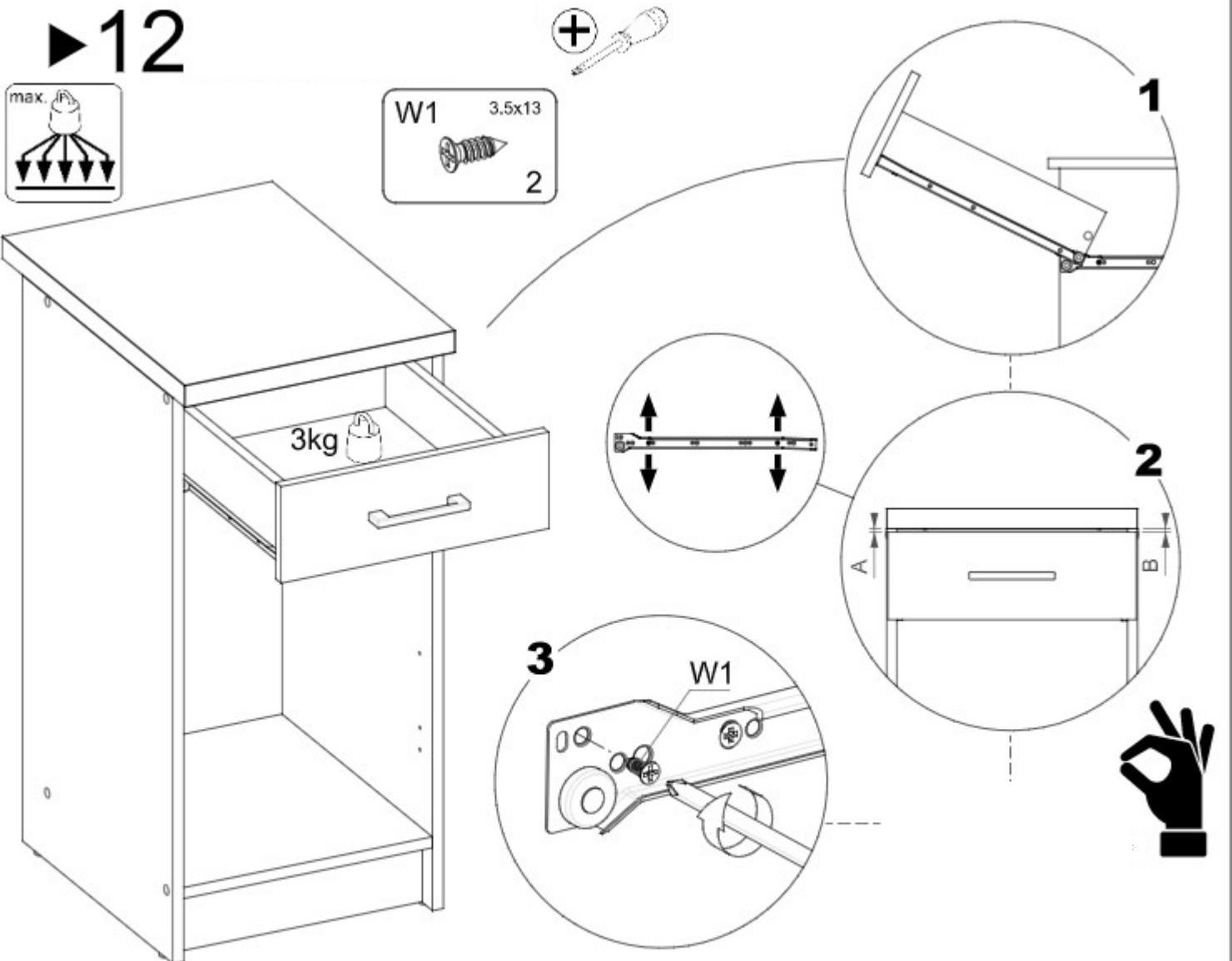
2)



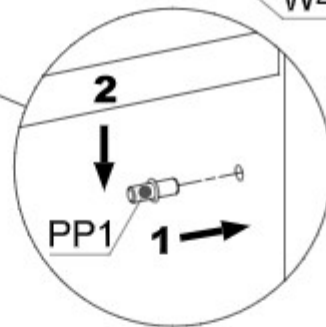
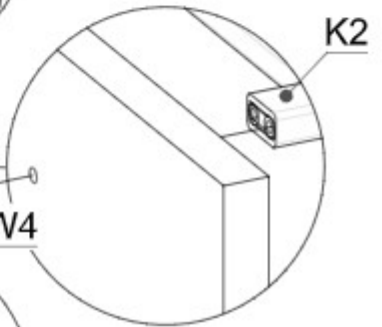
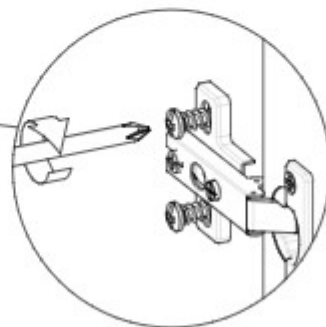
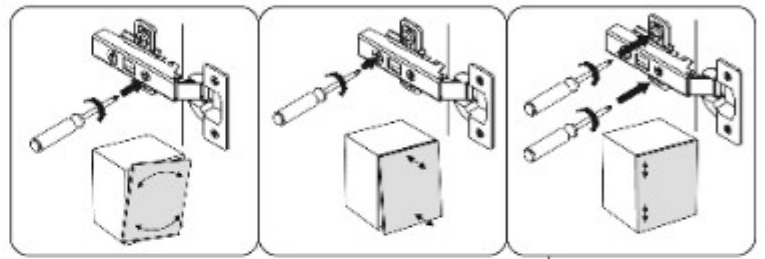
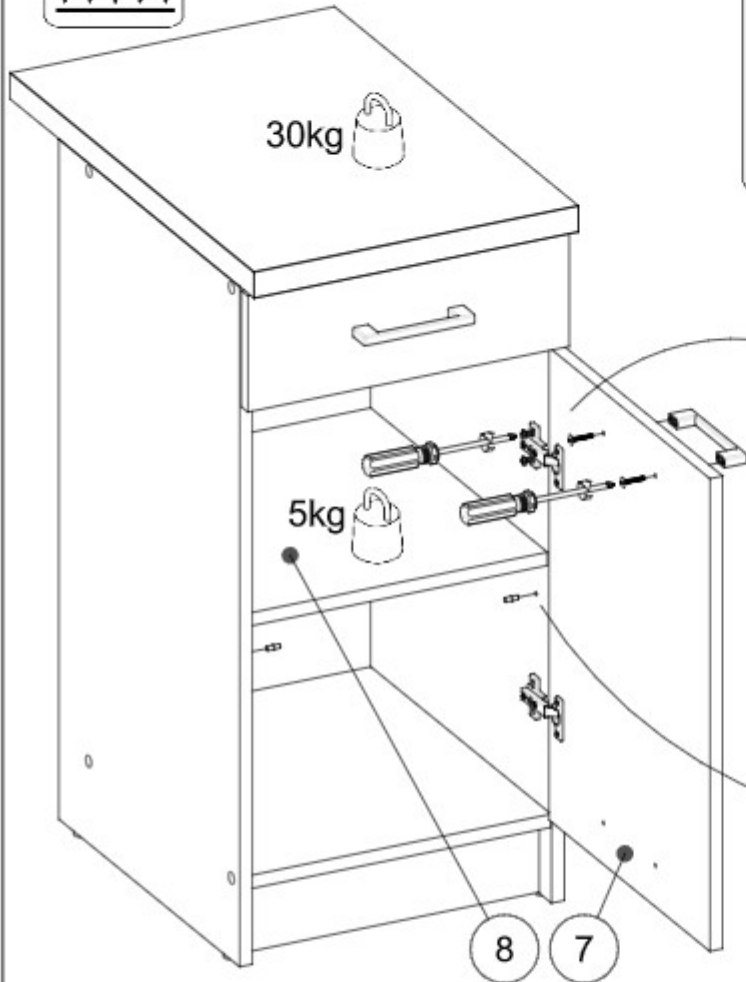
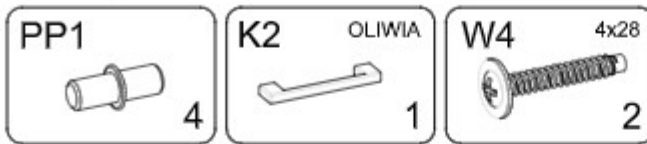
▶ 11



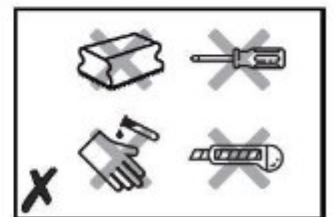
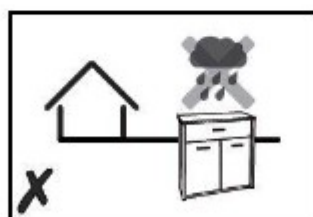
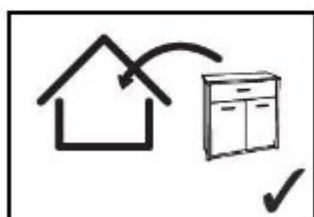
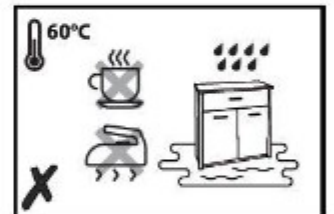
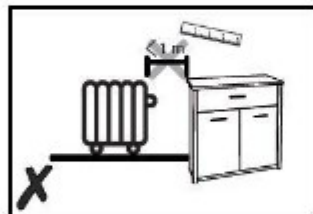
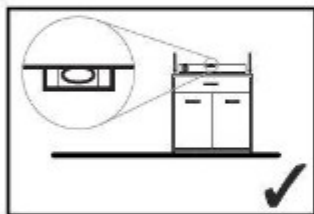
▶ 12



▶ 13



✓! X

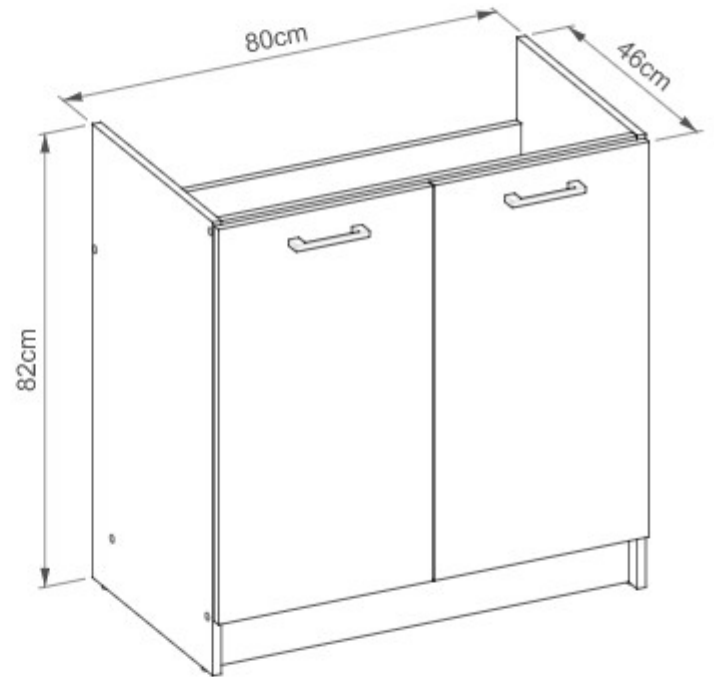
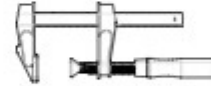




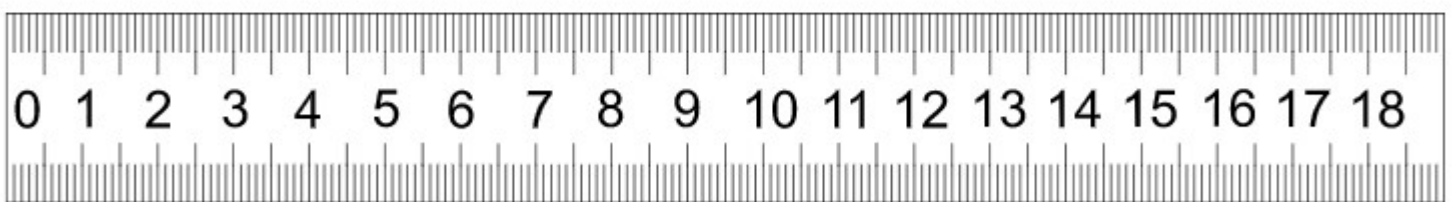
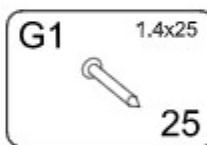
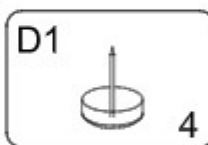
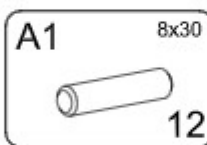
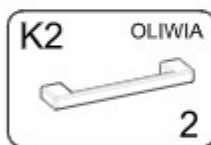
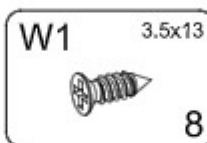
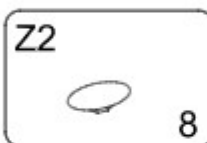
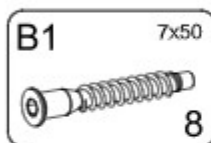
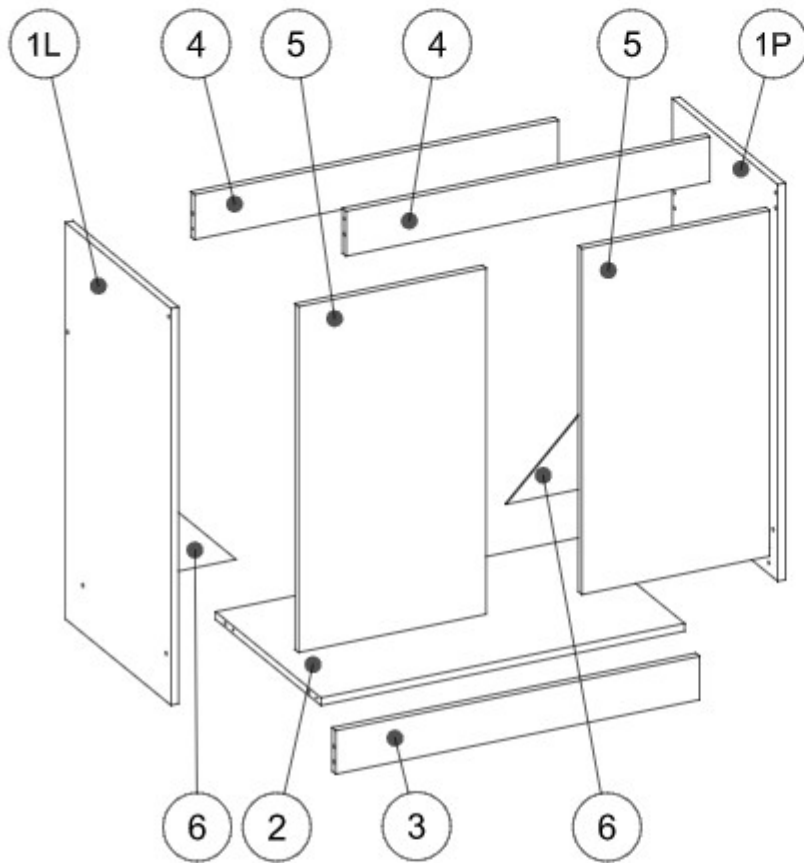
~70 min



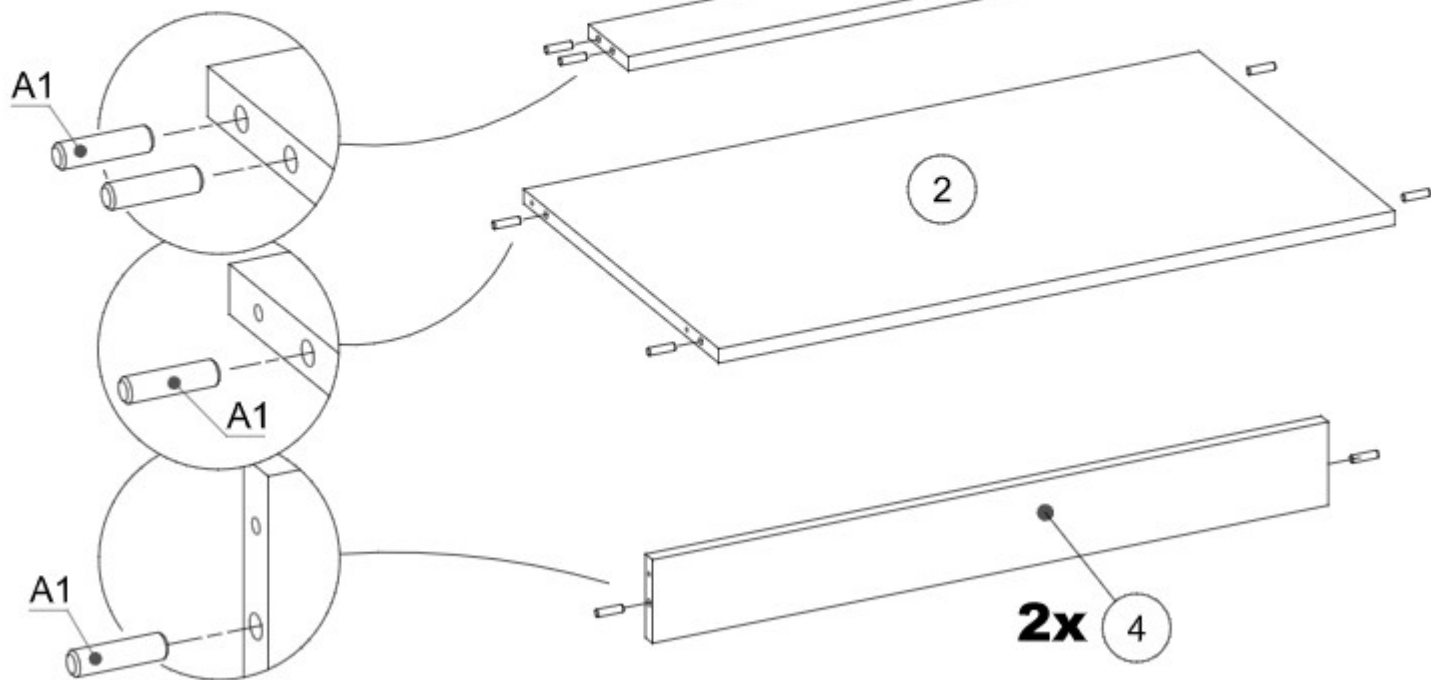
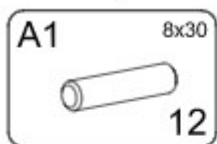
Ø 5mm



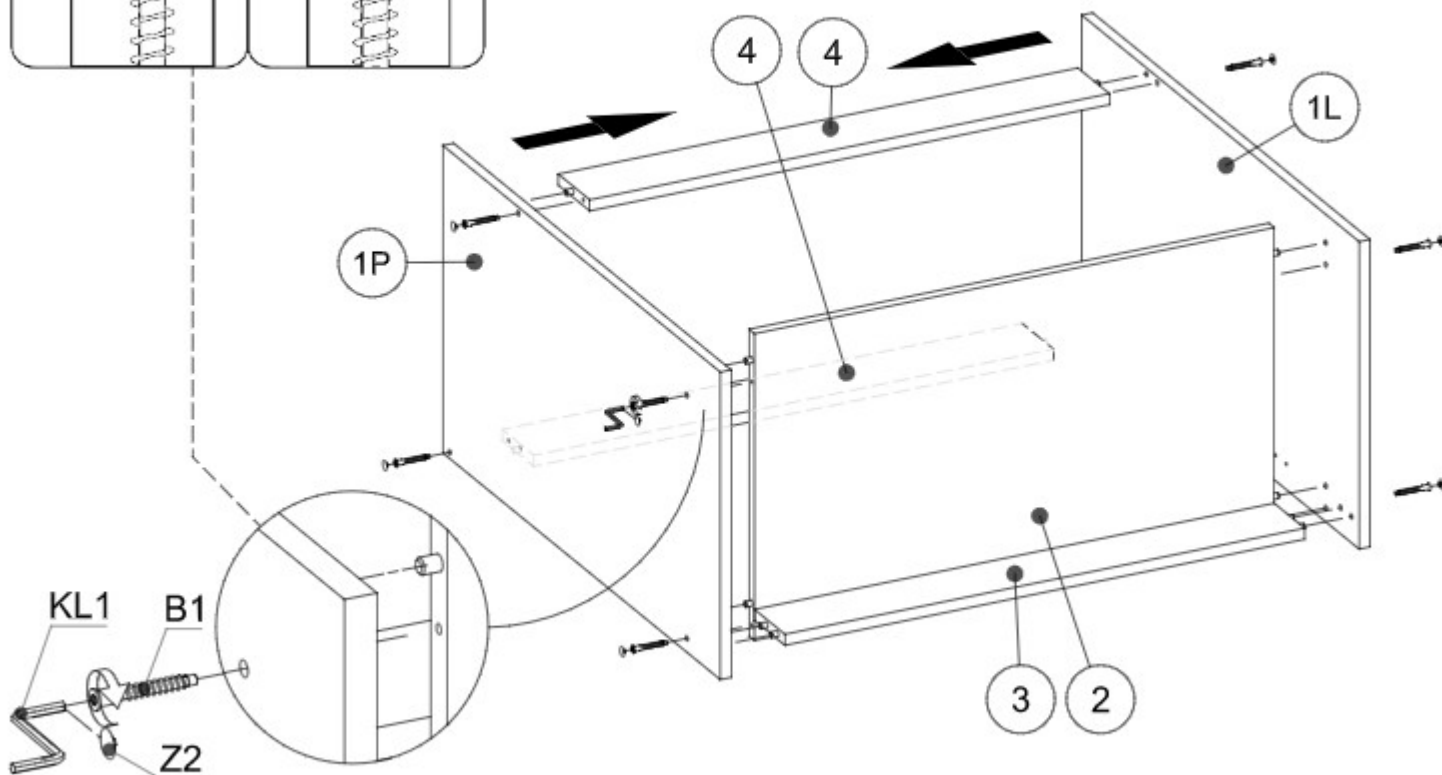
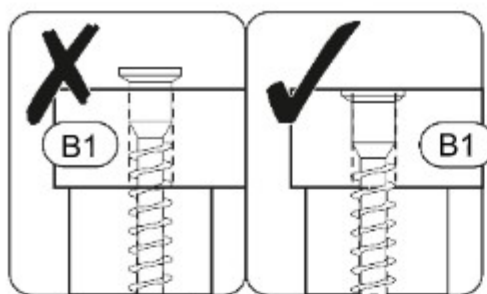
1L	820x445x16mm	1
1P	820x445x16mm	1
2	768x444x16mm	1
3	768x90x16mm	1
4	768x93x16mm	2
5	715x396x16mm	2
6	250x250x3mm	2



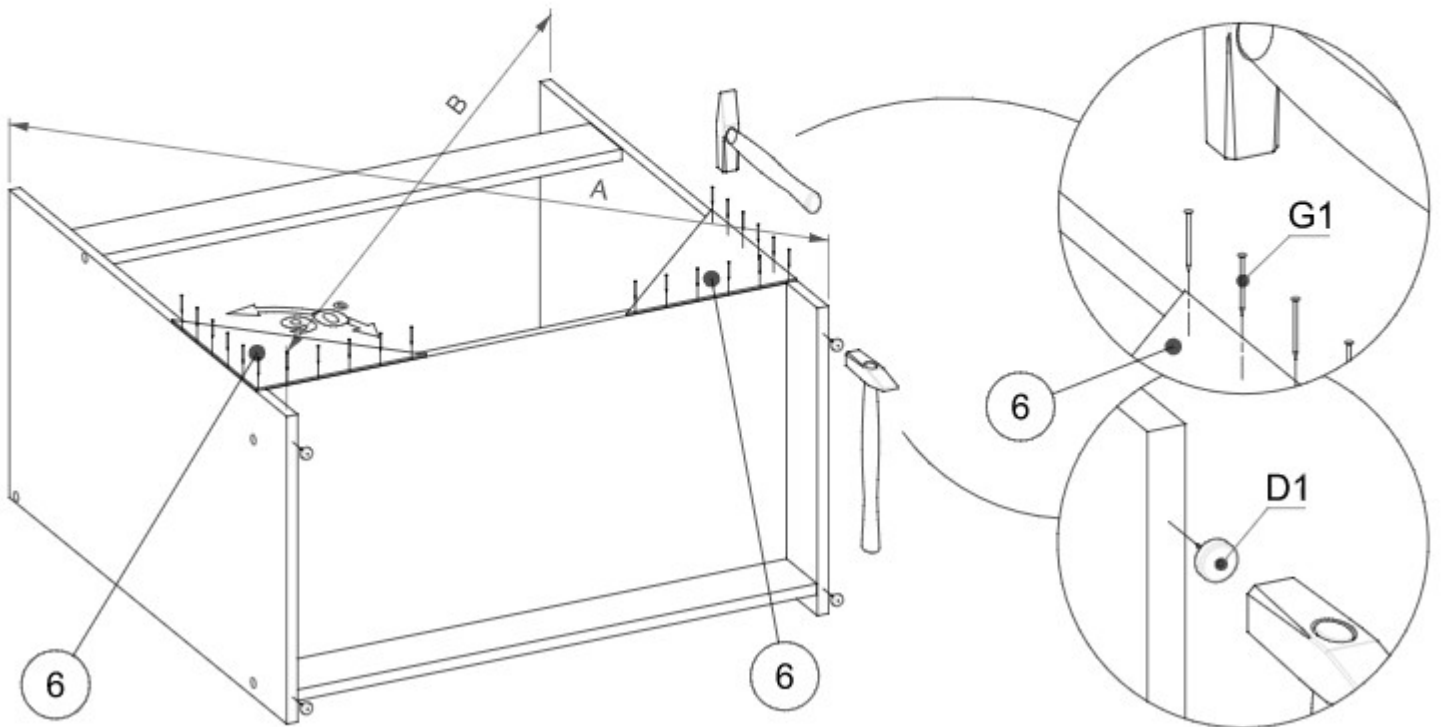
▶ 1



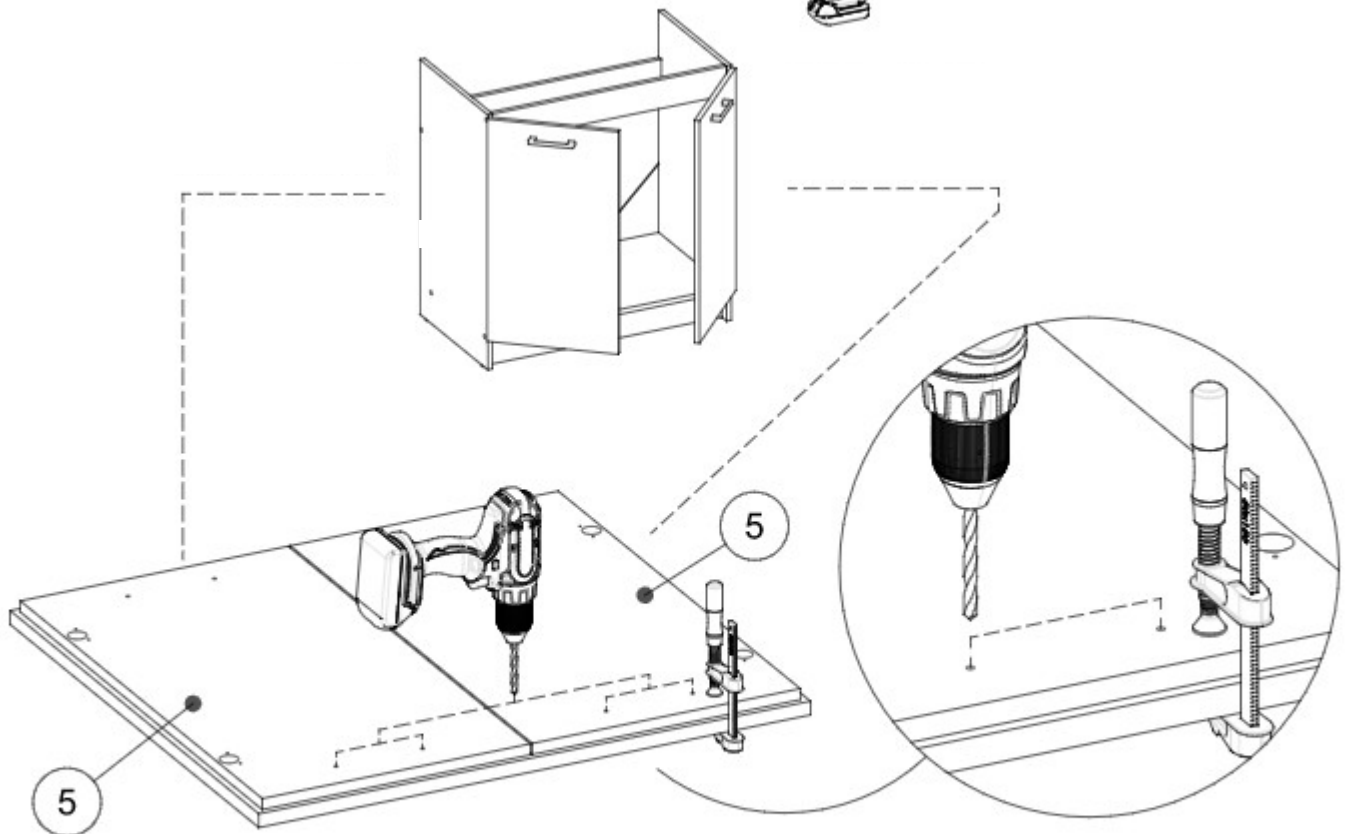
▶ 2

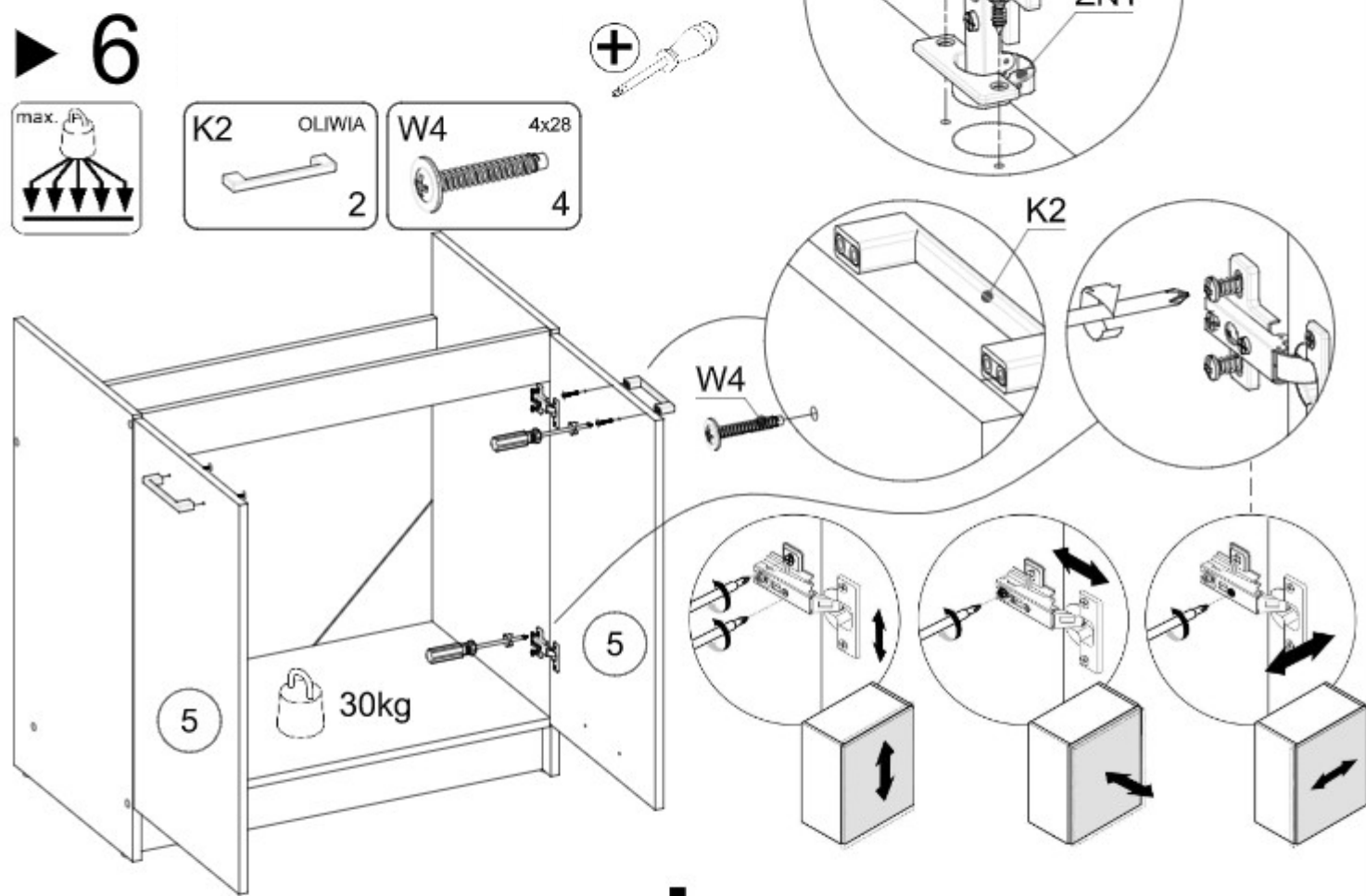
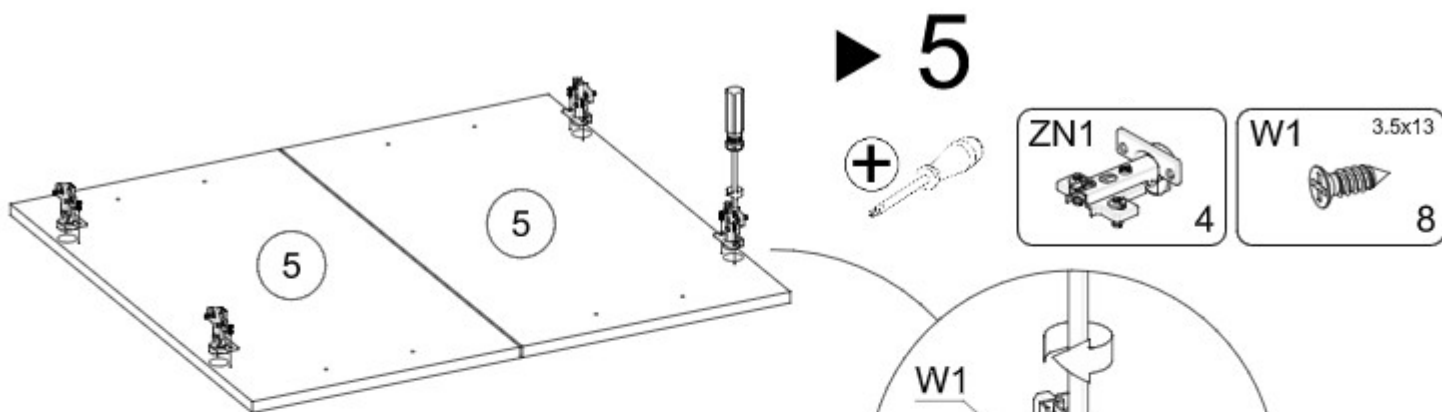


▶ 3

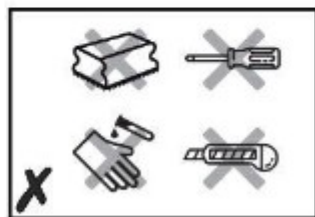
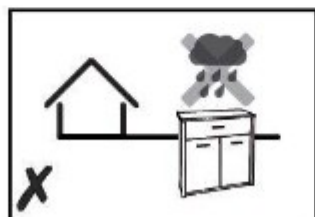
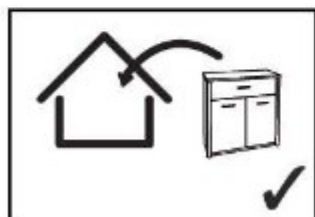
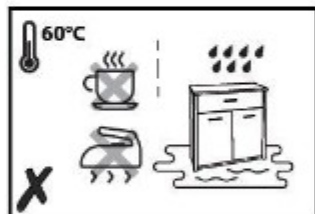
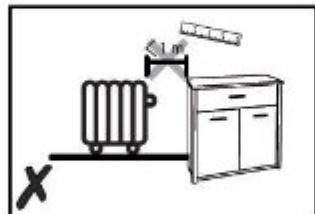
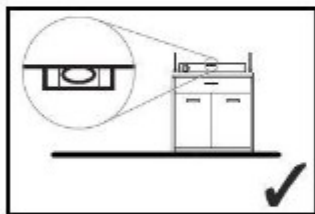


▶ 4





✓ ! ✗

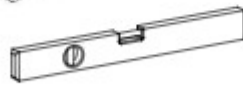
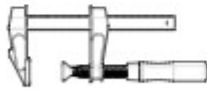




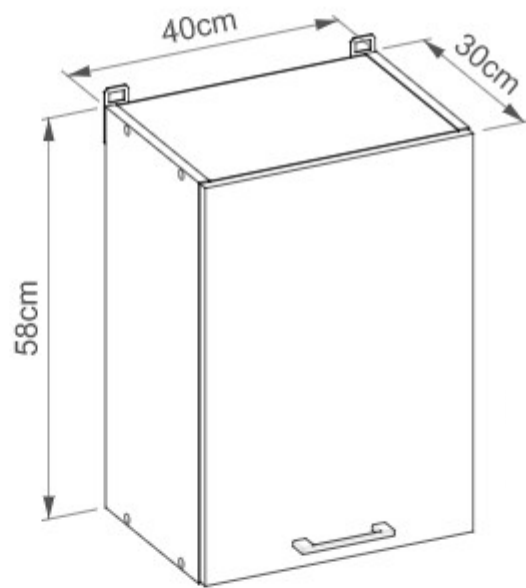
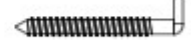
~90 min

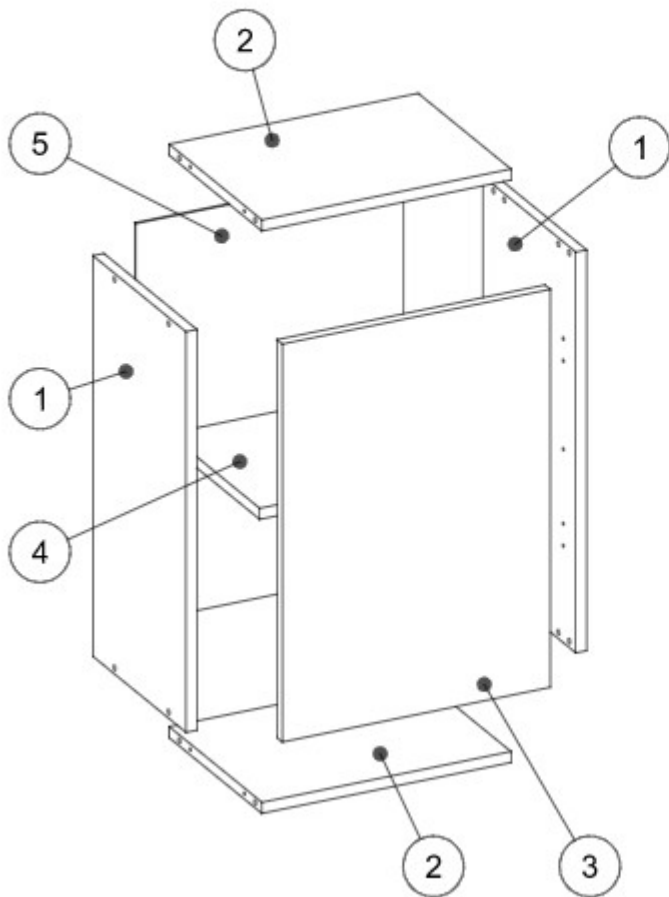


x2

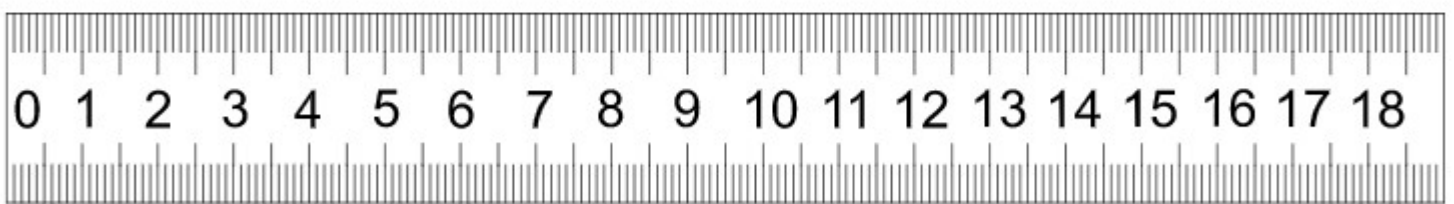
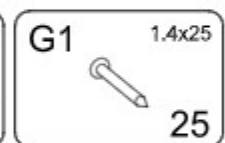
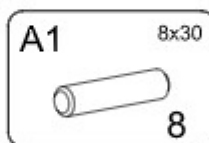
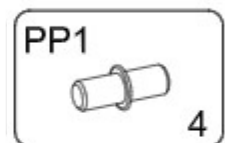
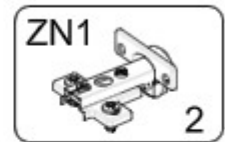
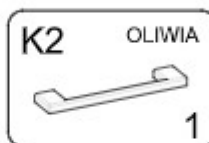
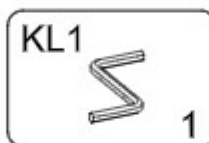
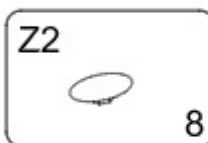
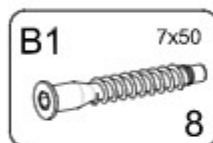


Ø 5mm

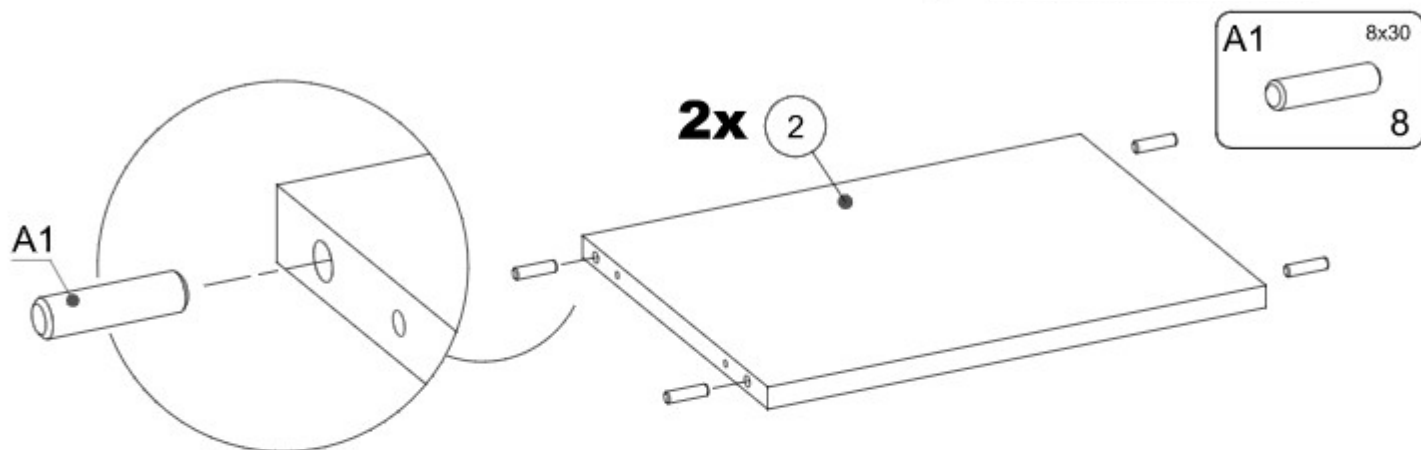




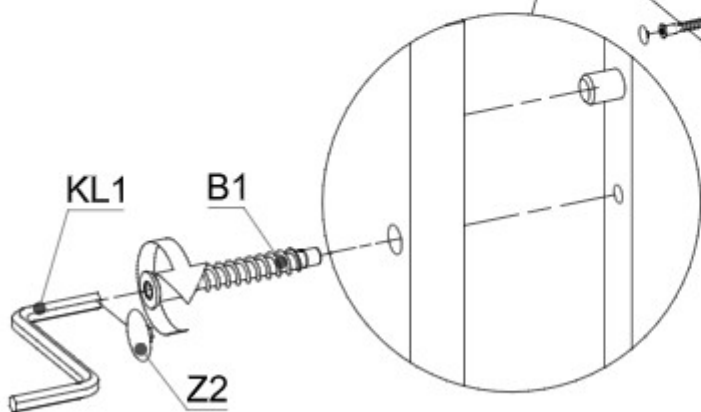
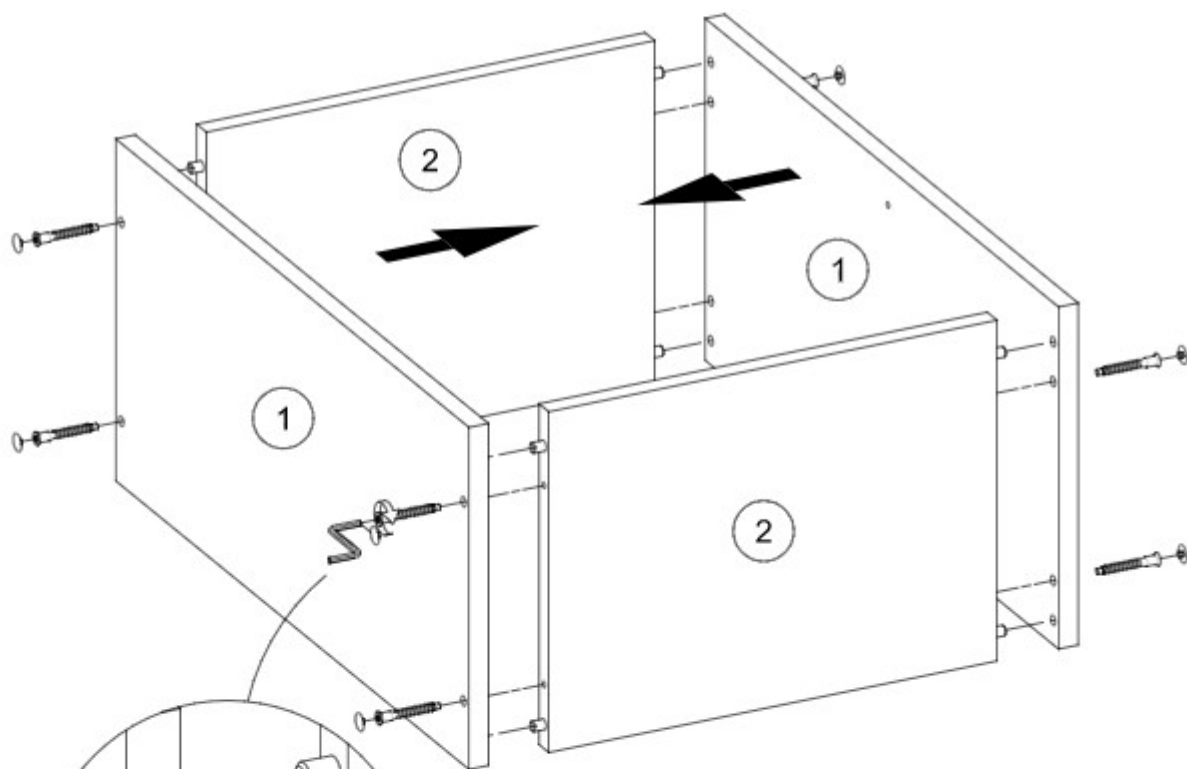
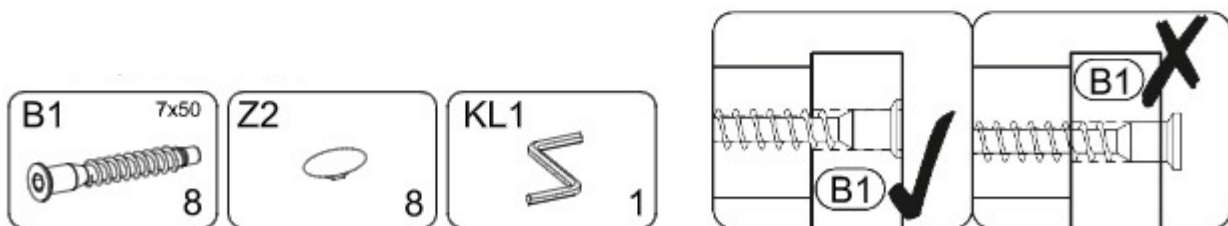
1	580x275x16mm	2
2	274x368x16mm	2
3	576x396x16mm	1
4	368x270x16mm	1
5	578x396x3mm	1



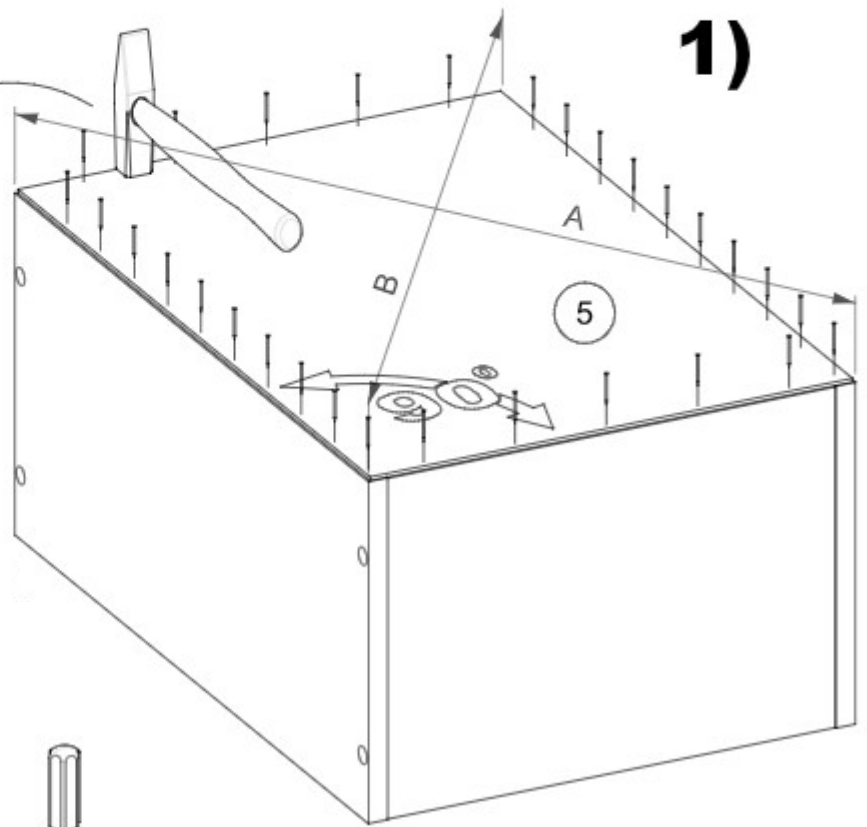
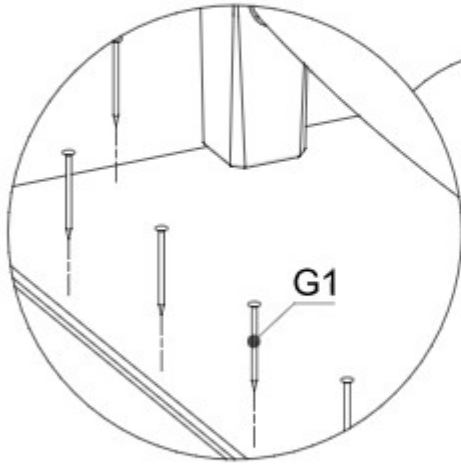
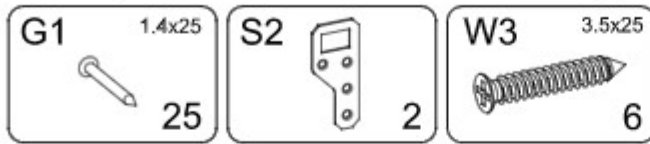
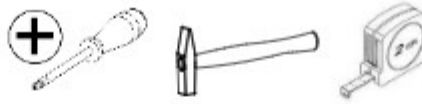
▶ 1



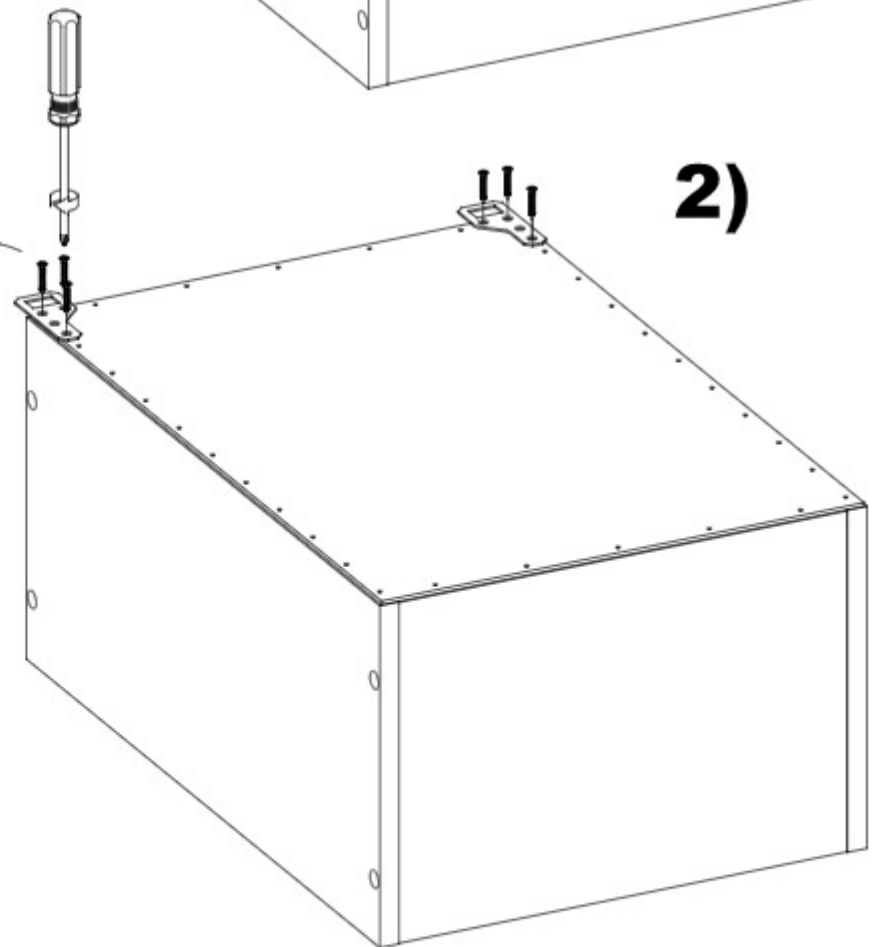
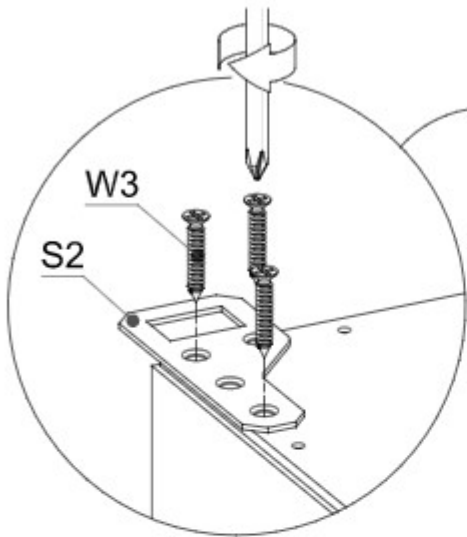
▶ 2



▶ 3

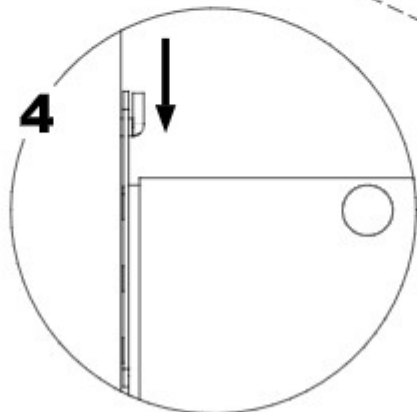
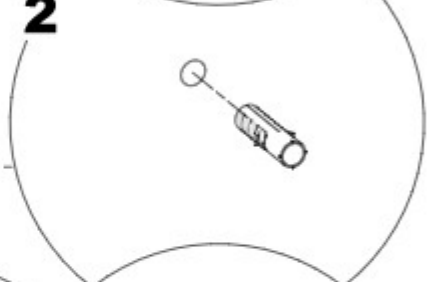
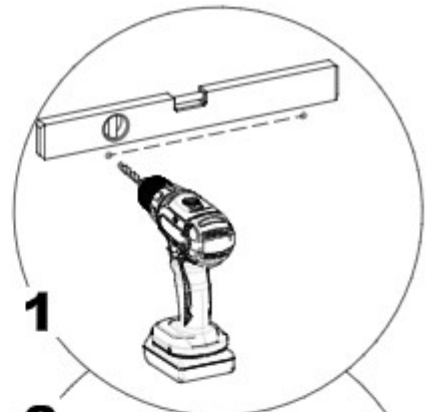
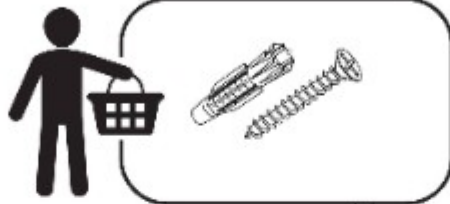
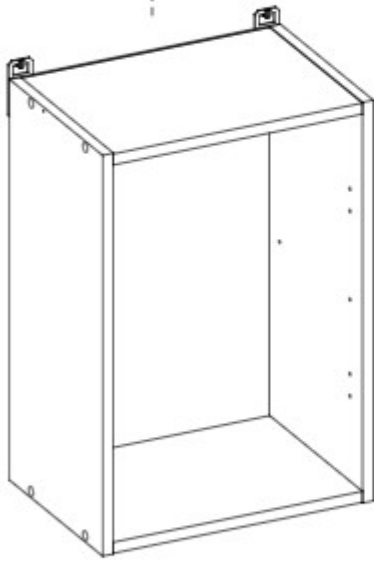
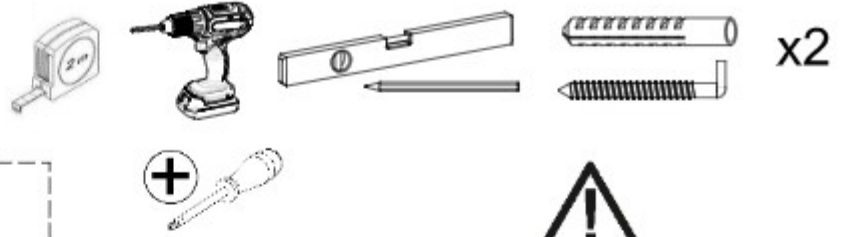


1)

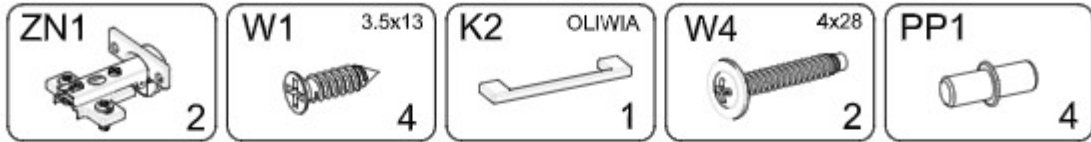


2)

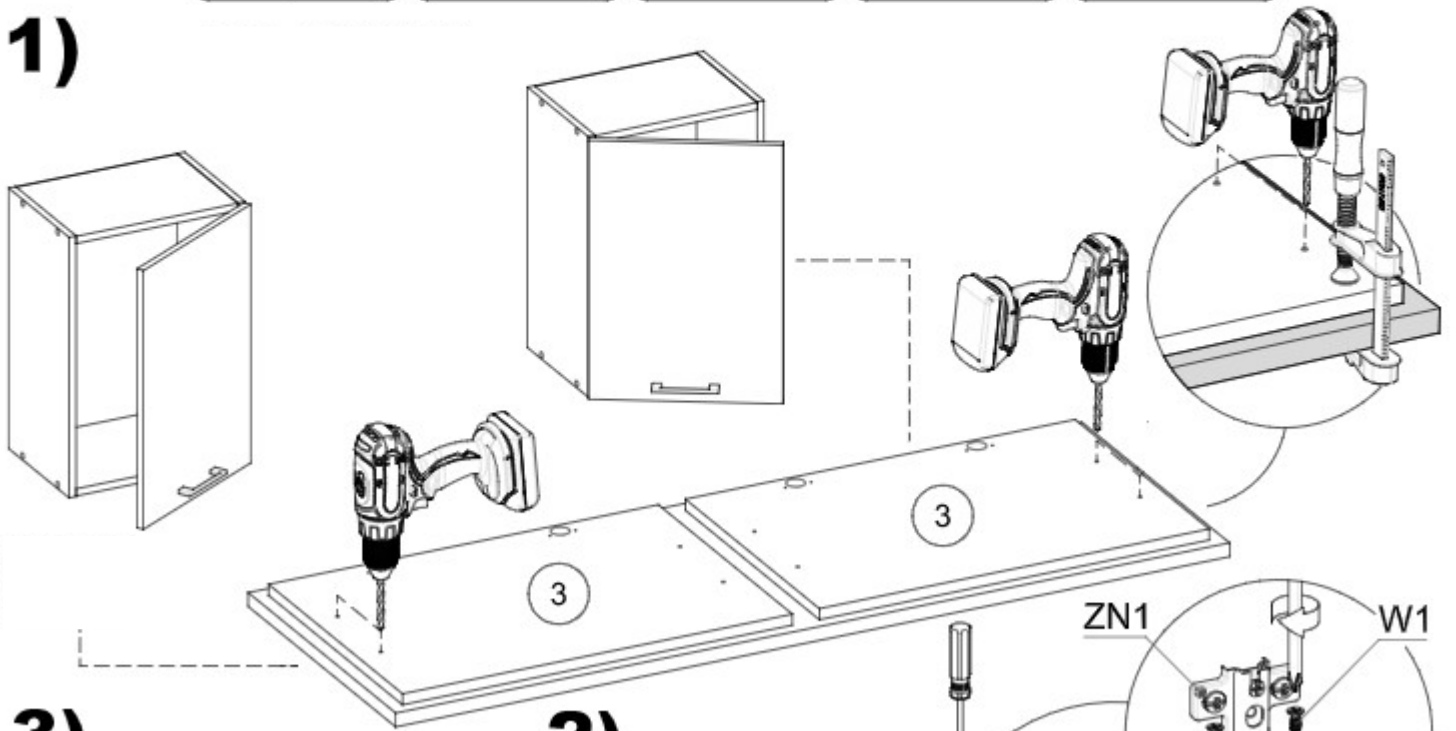
▶ 4



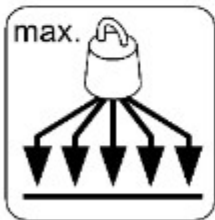
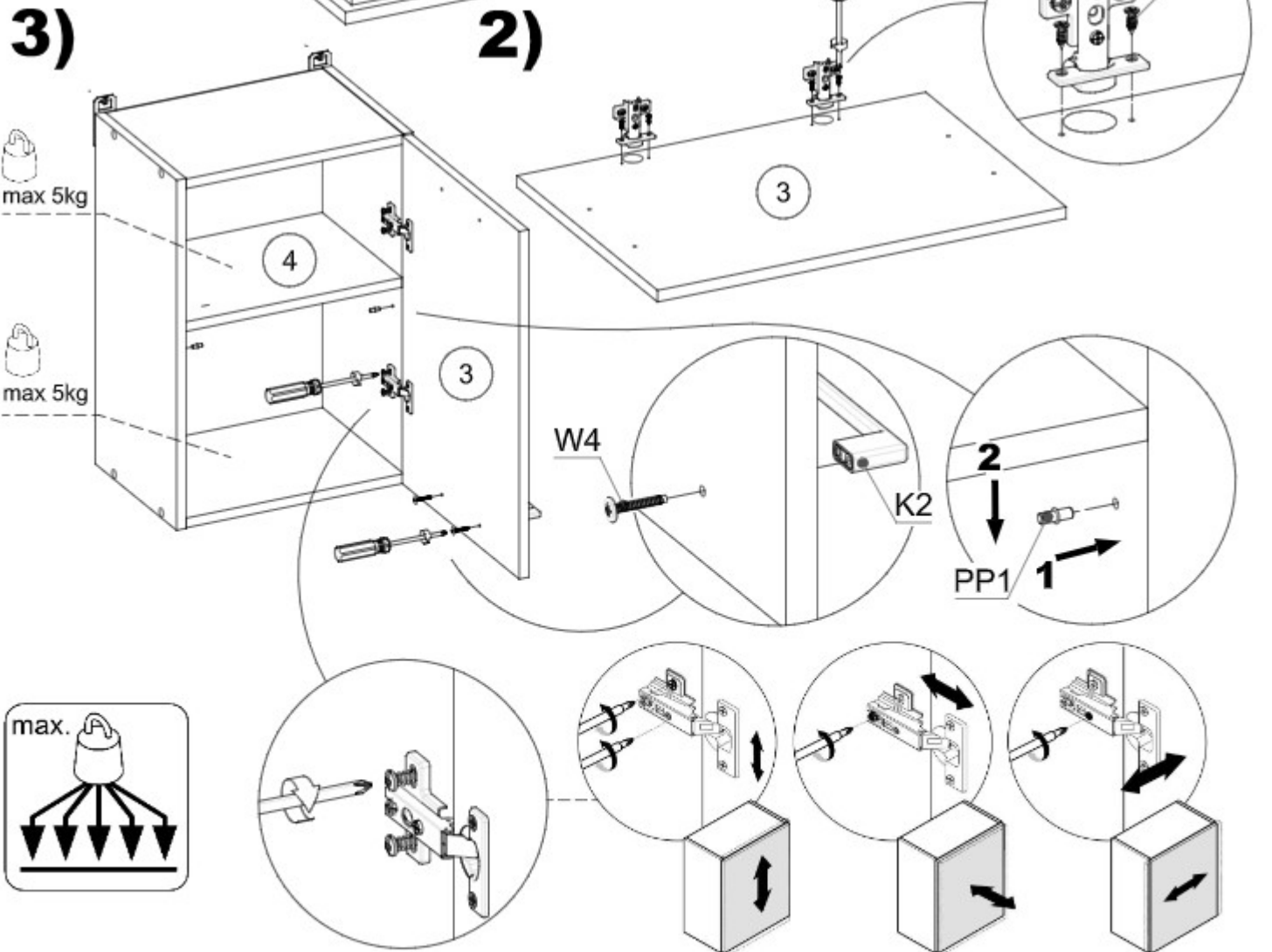
▶ 6



1)

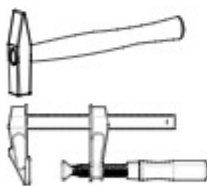
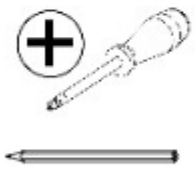


3)

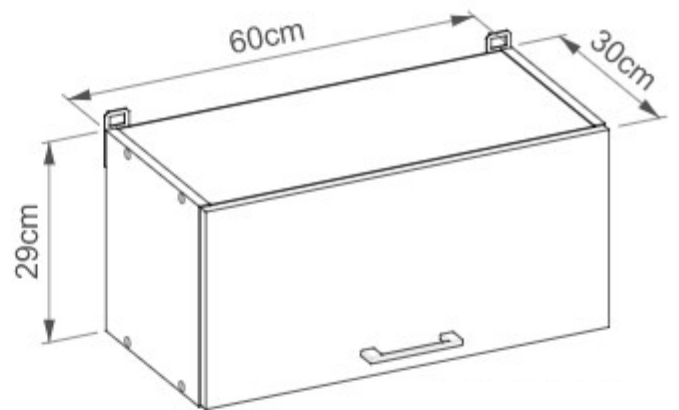




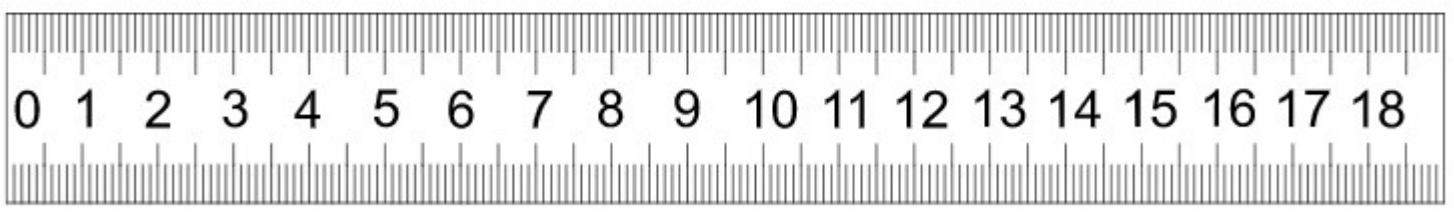
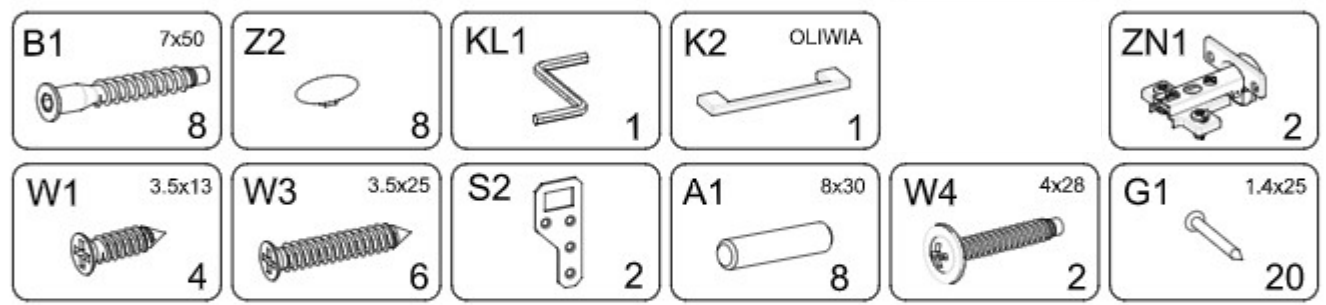
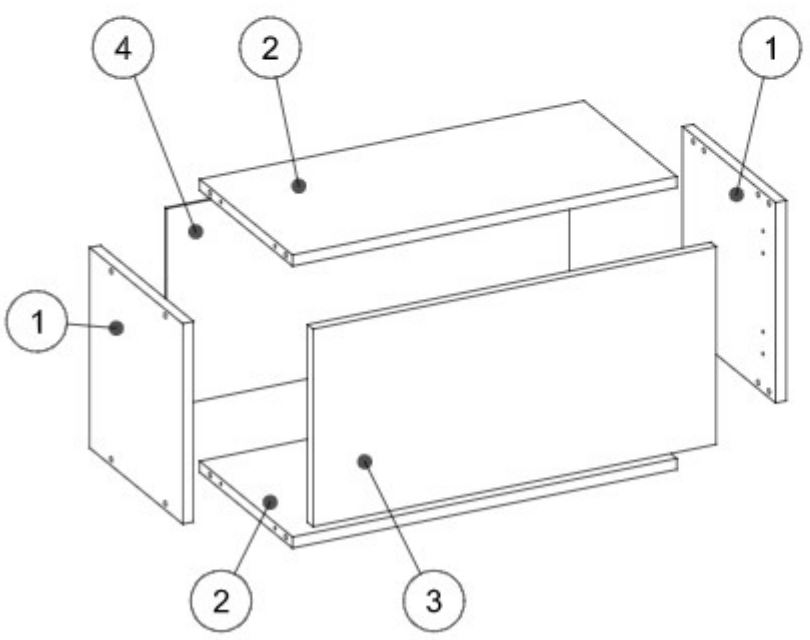
~90 min



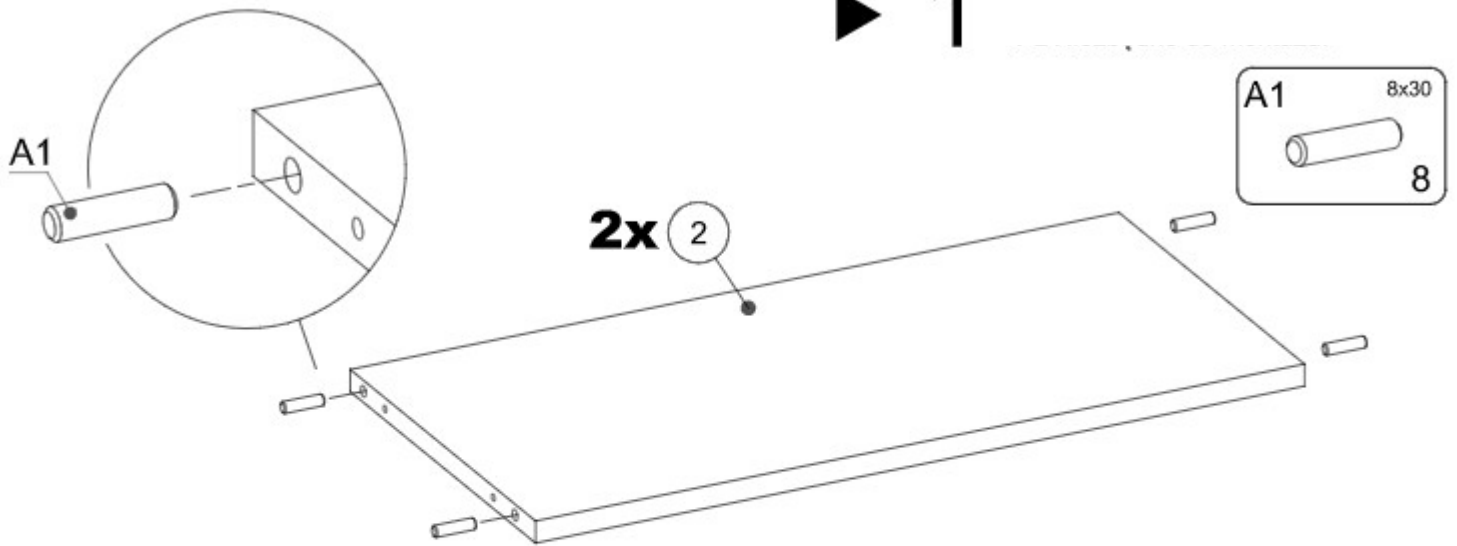
x2



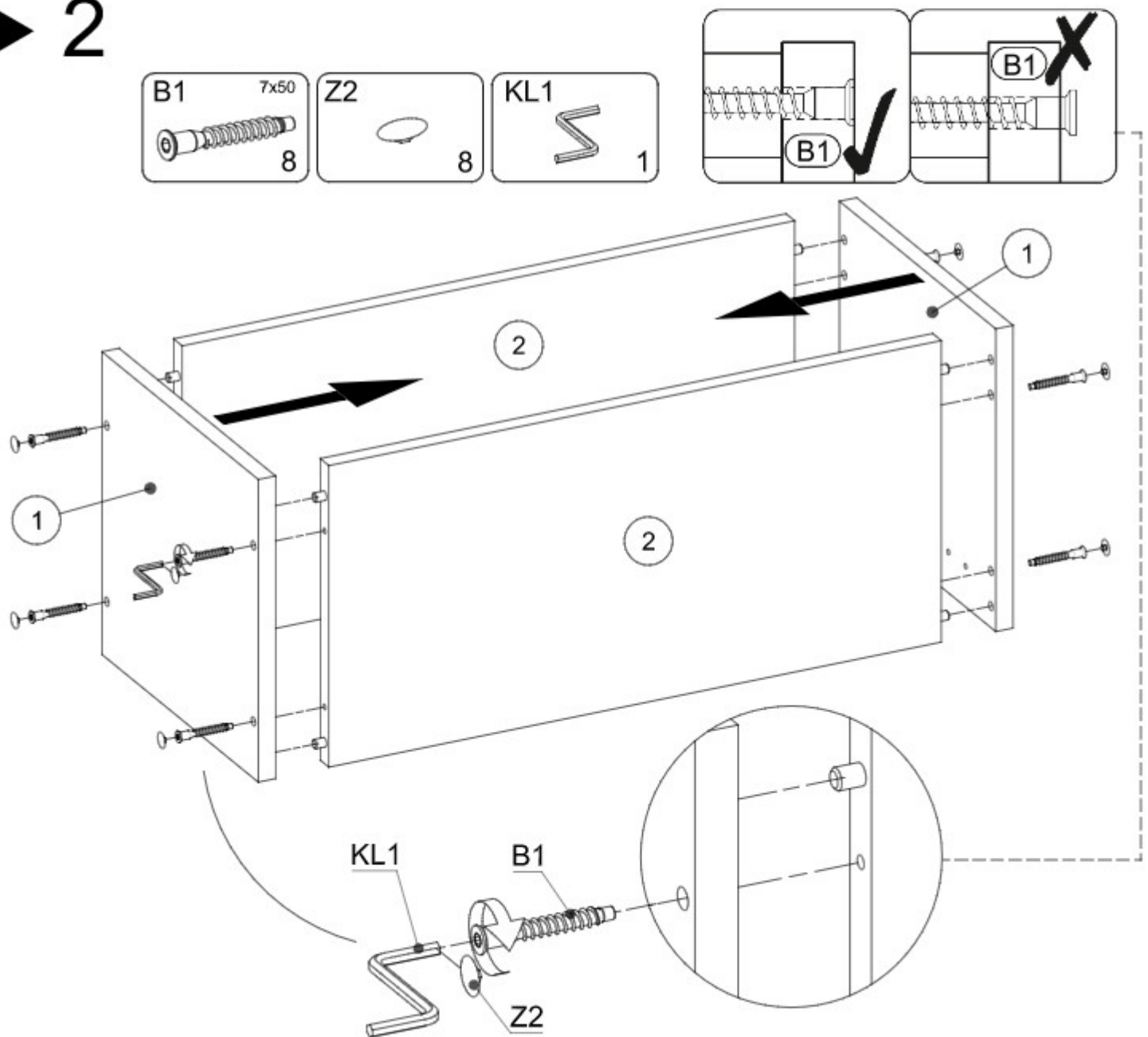
1	290x275x16mm	2
2	274x568x16mm	2
3	286x596x16mm	1
4	288x596x3mm	1



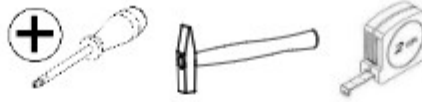
▶ 1






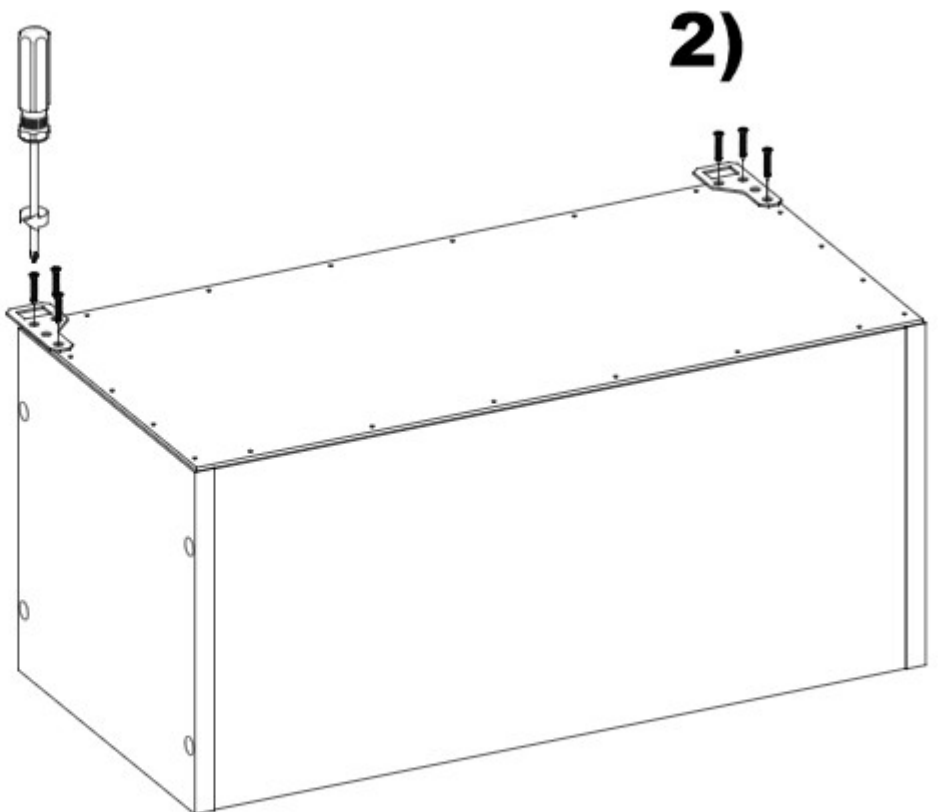
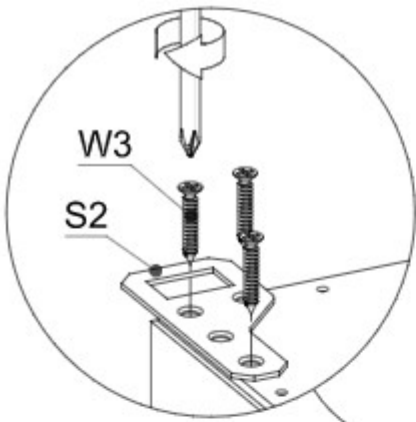
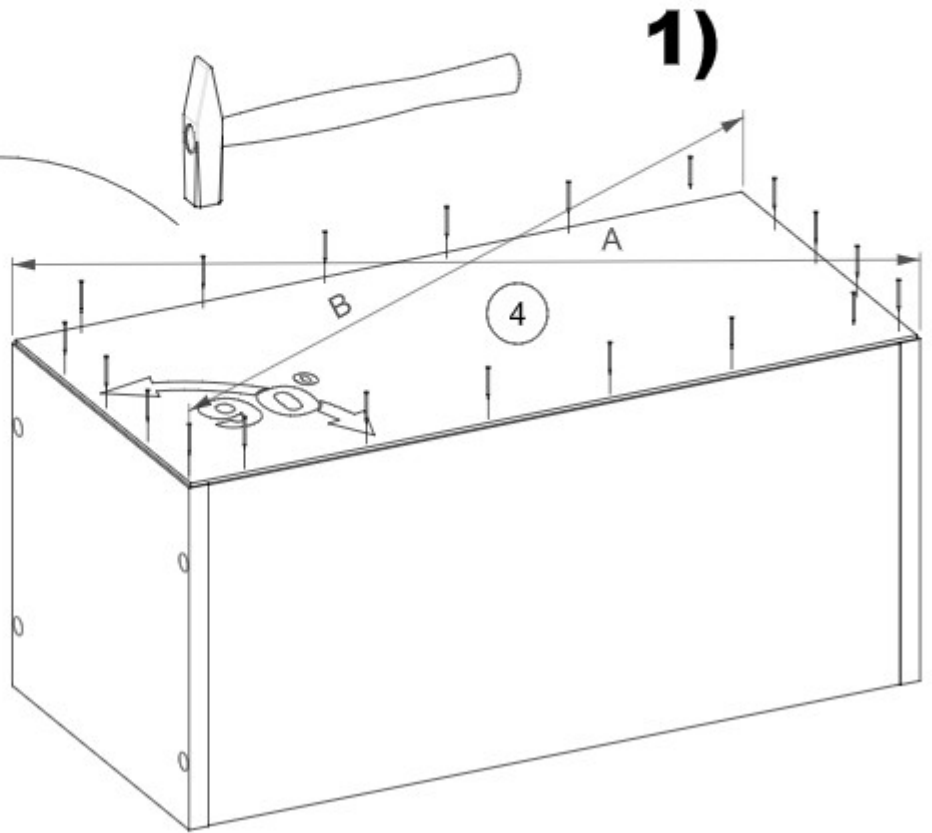
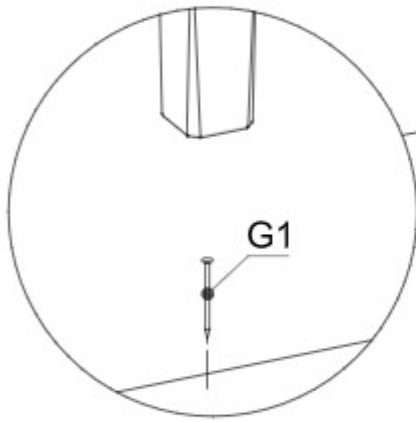
▶ 2



▶ 3



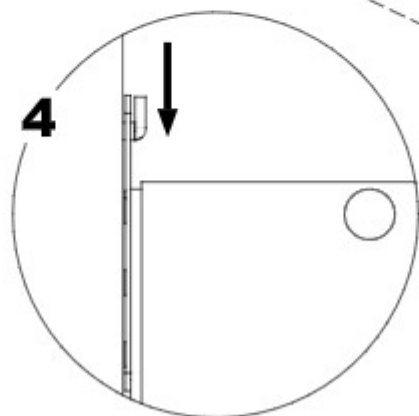
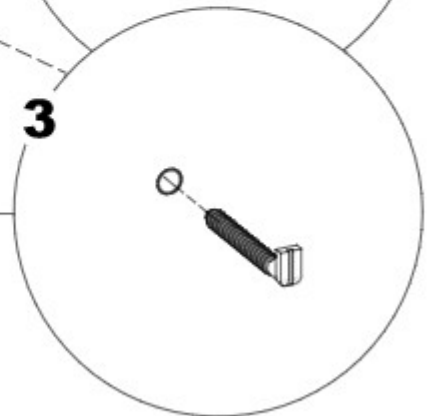
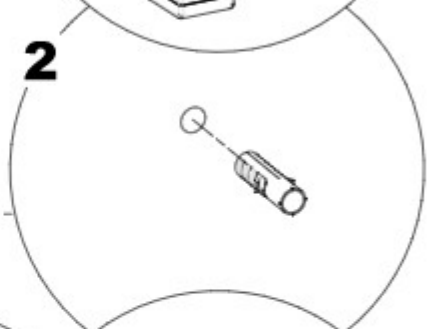
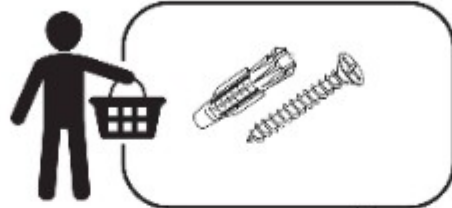
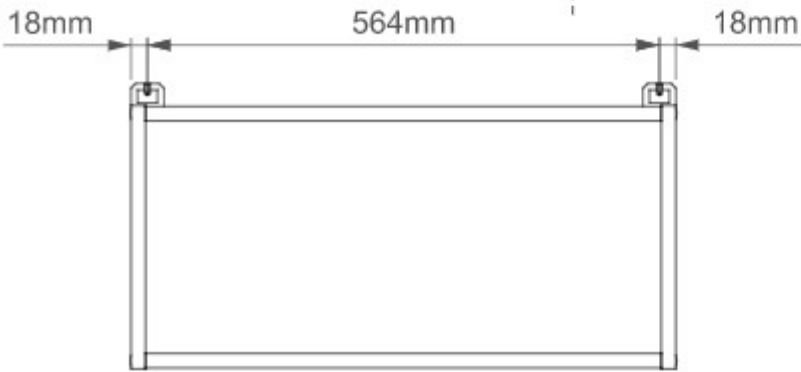
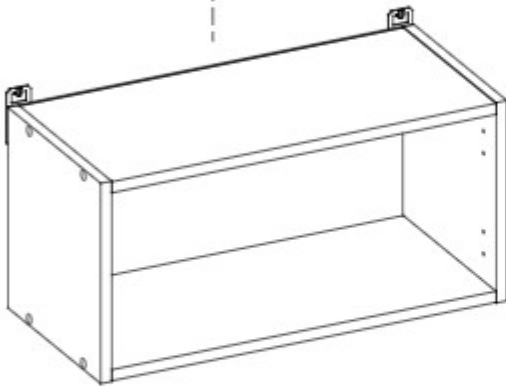
G1	1.4x25	S2	2	W3	3.5x25
	20		2		6

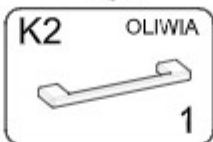
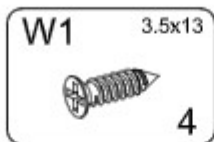
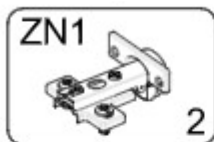


▶ 4

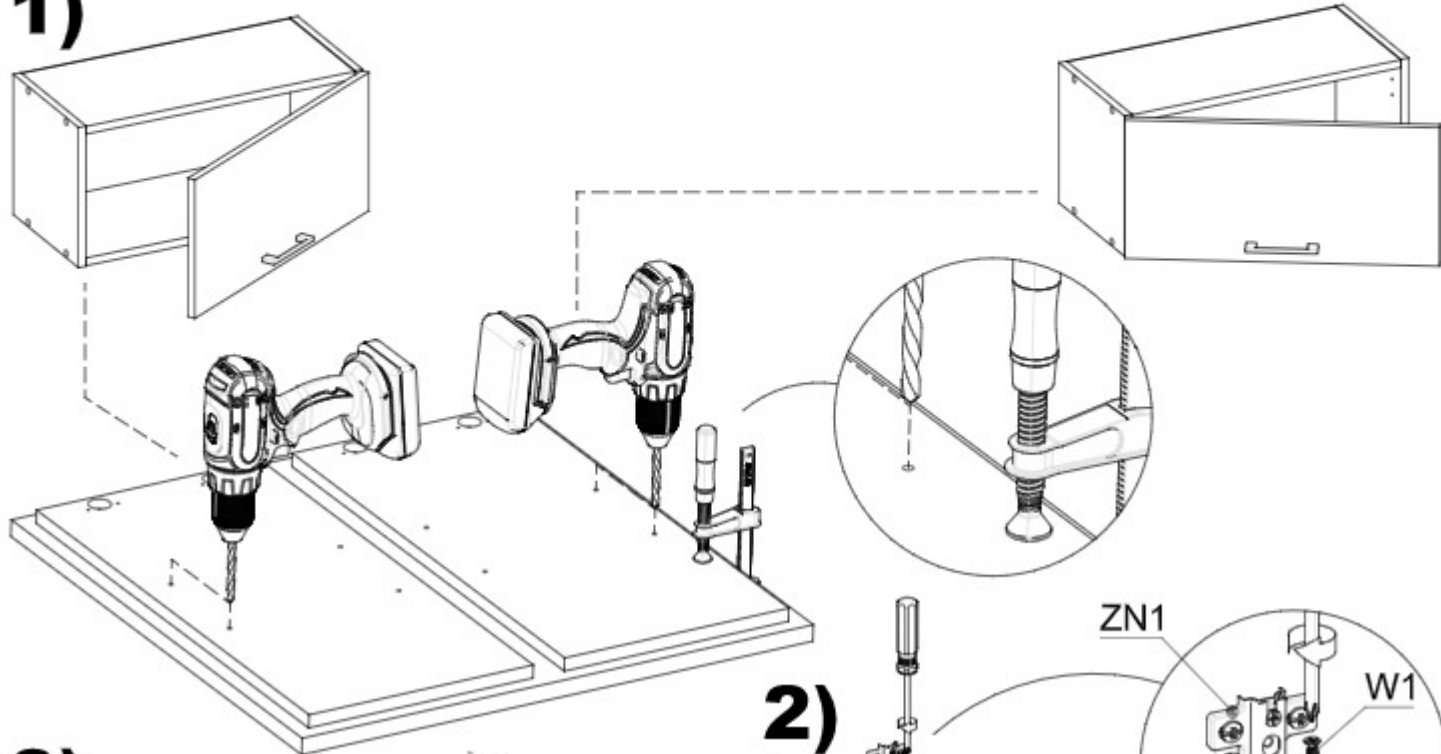


x2

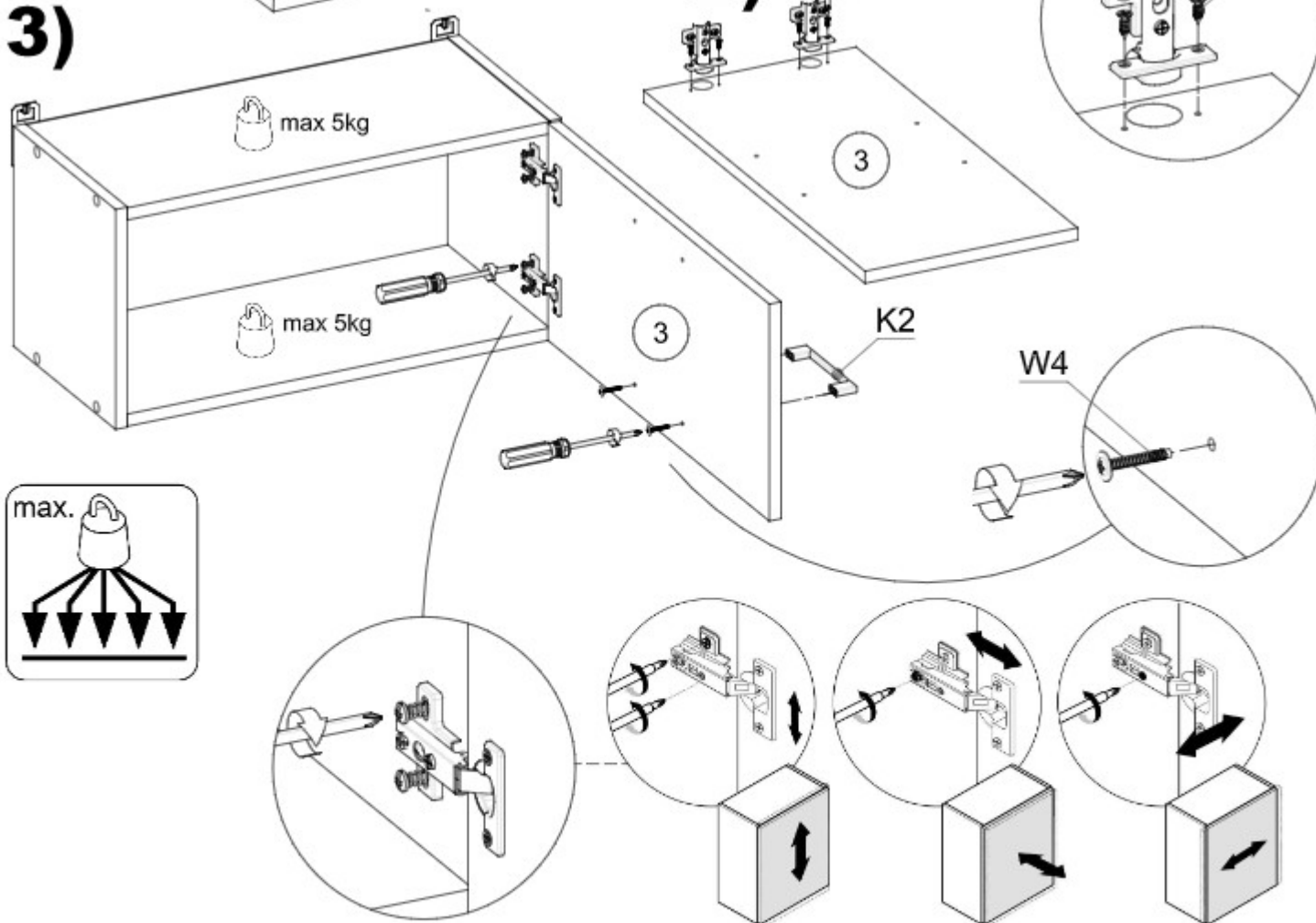




1)

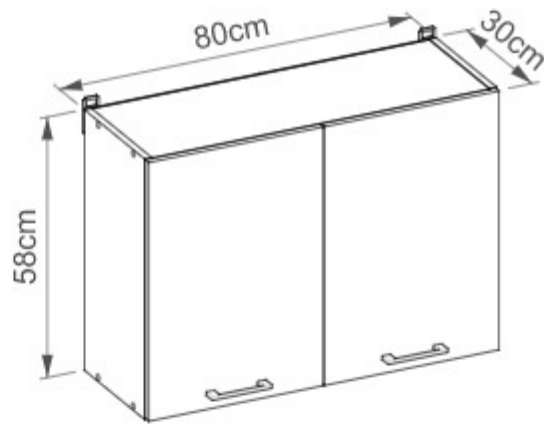


3)

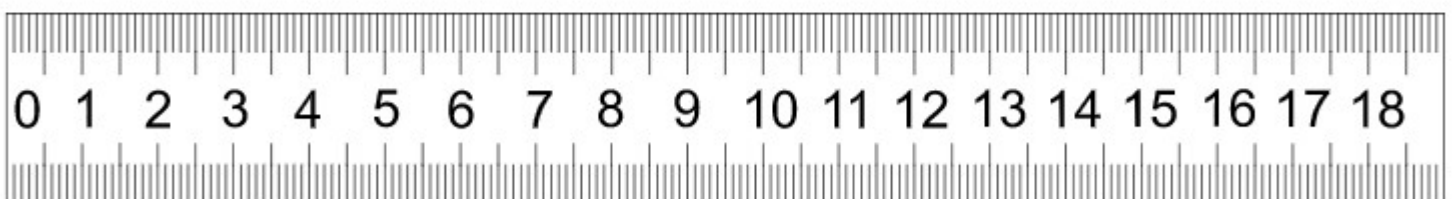
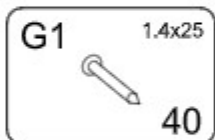
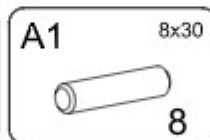
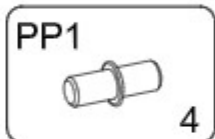
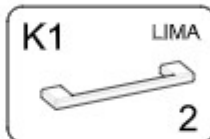
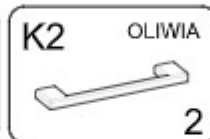
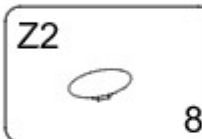
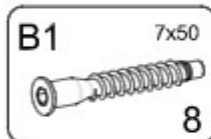
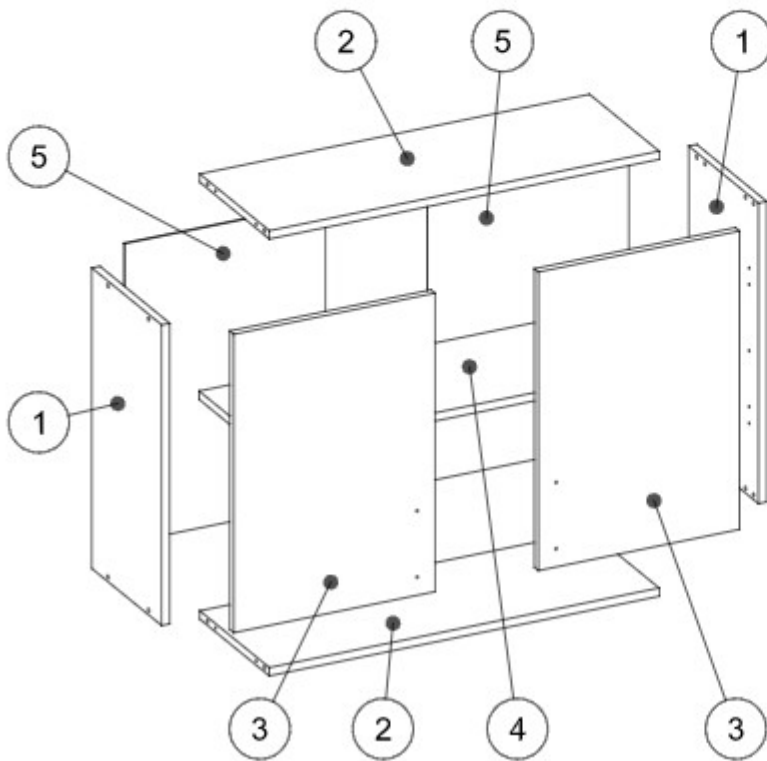




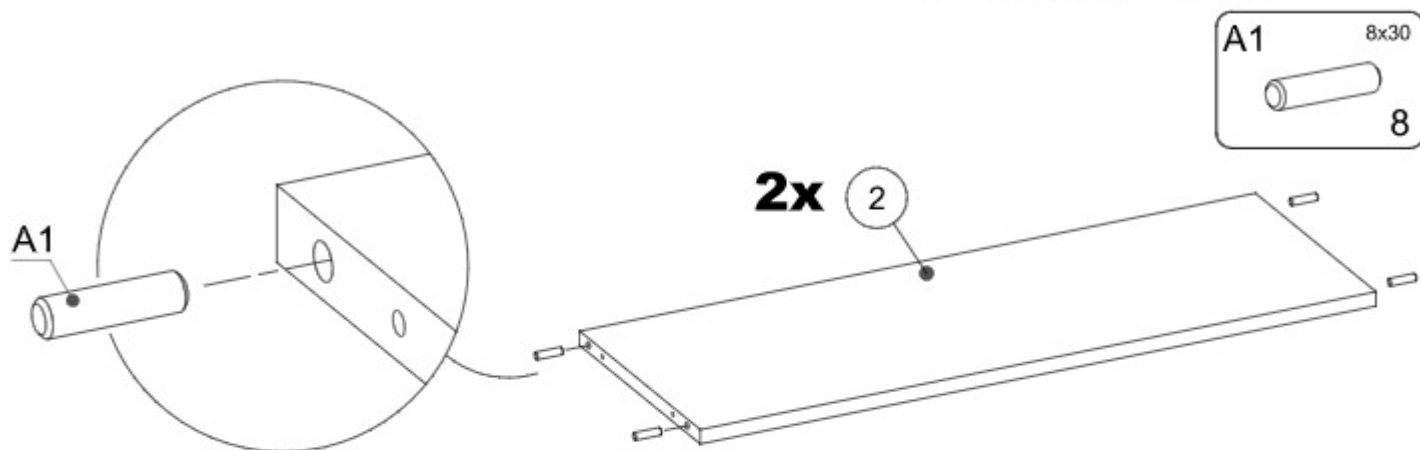
~90 min



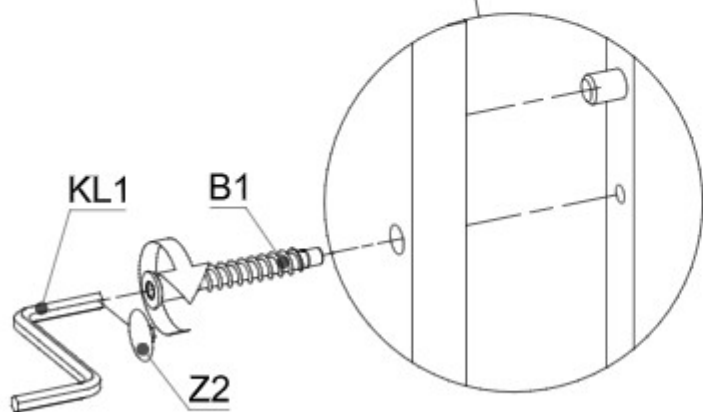
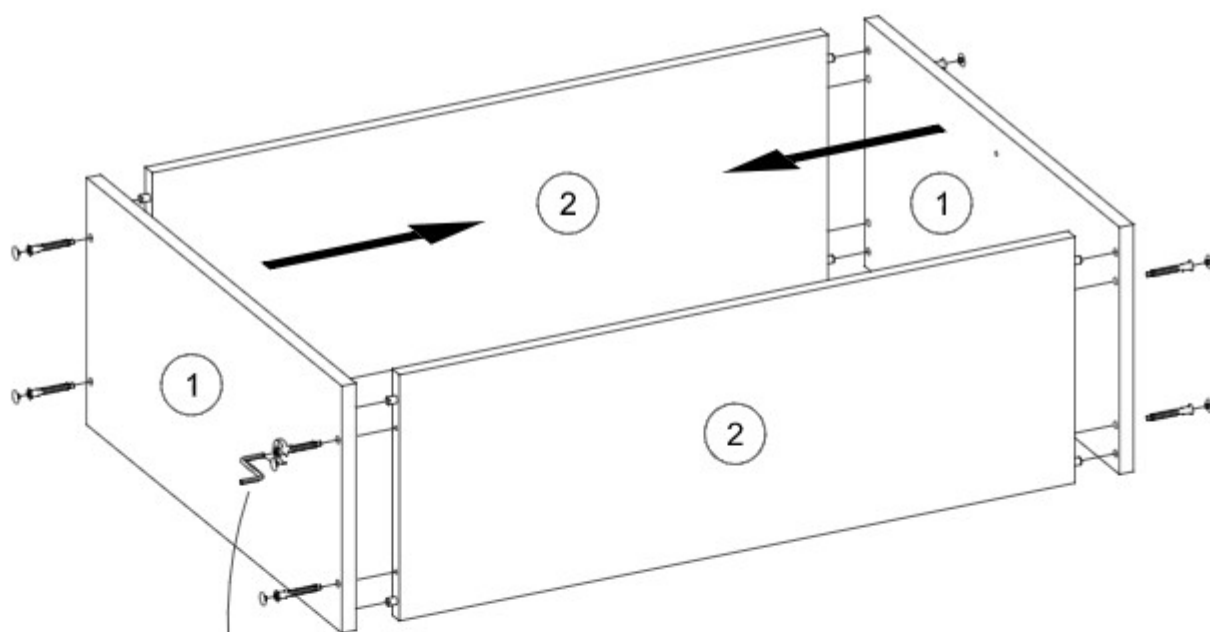
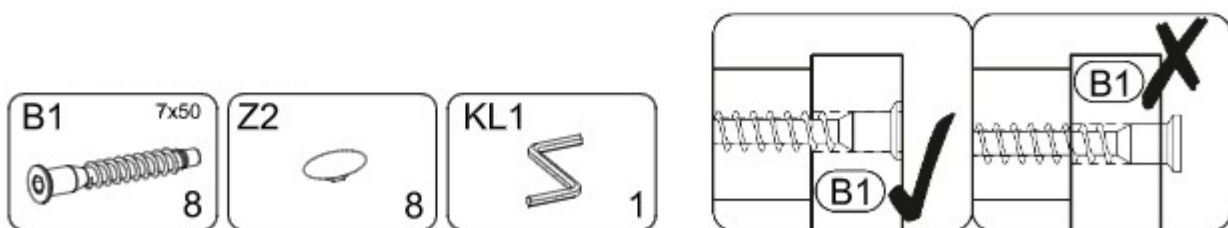
1	580x275x16mm	2
2	274x768x16mm	2
3	576x396x16mm	2
4	768x270x16mm	1
5	578x396x3mm	2



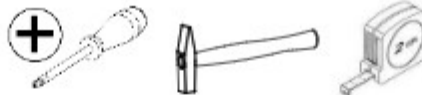
▶ 1



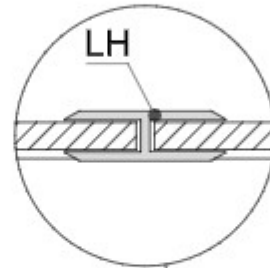
▶ 2



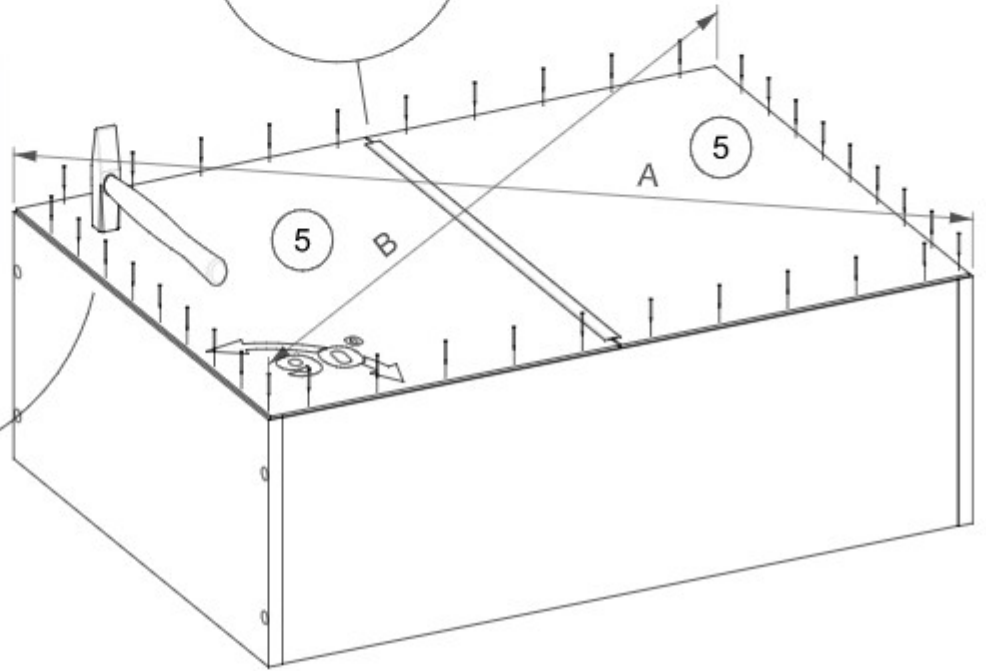
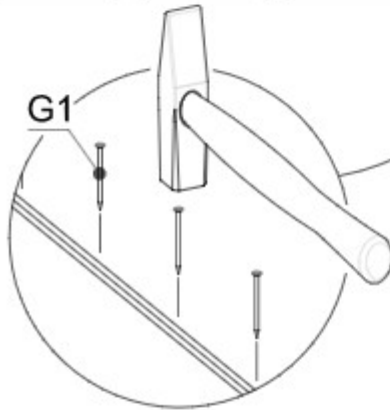
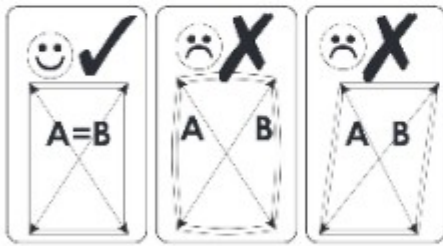
▶ 3



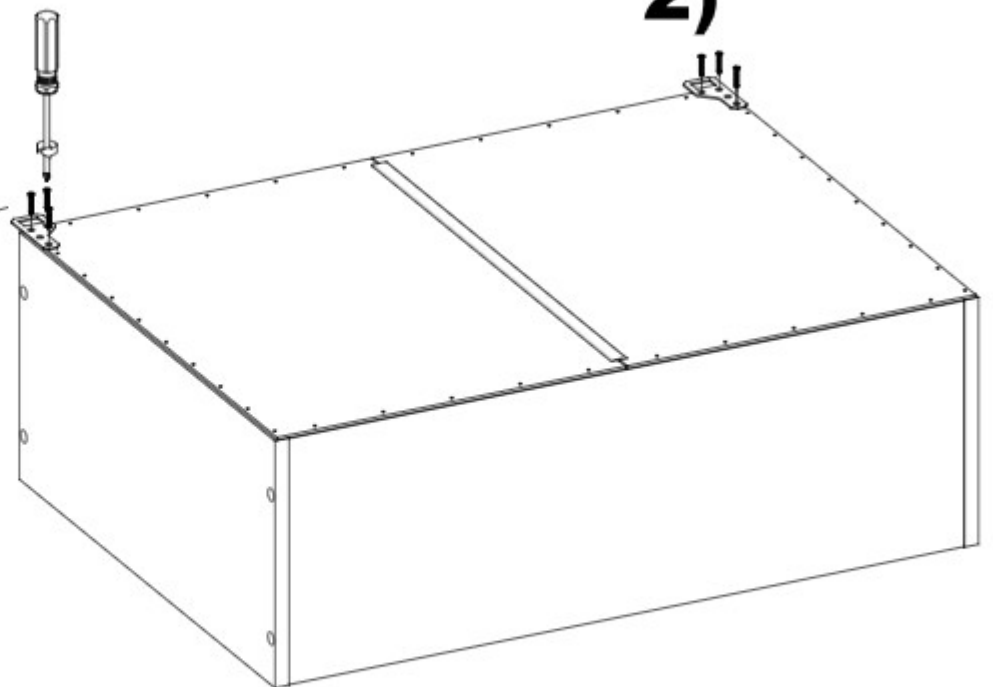
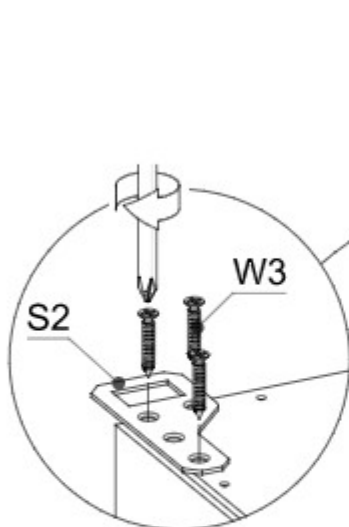
G1	1.4x25	S2	W3	3.5x25	LH	545mm
	40			6		1



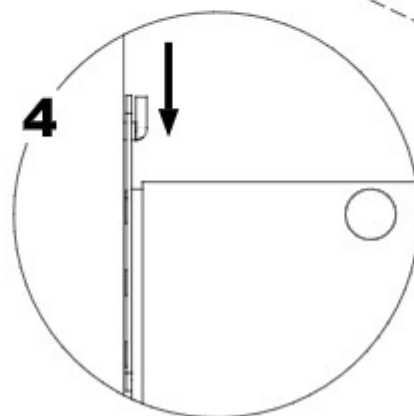
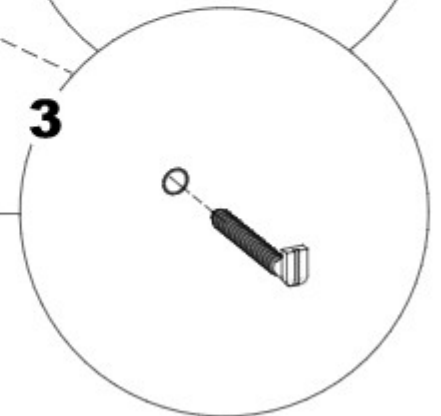
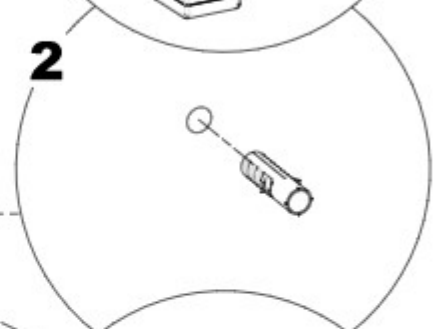
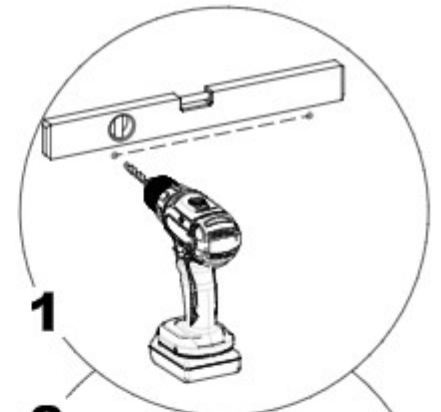
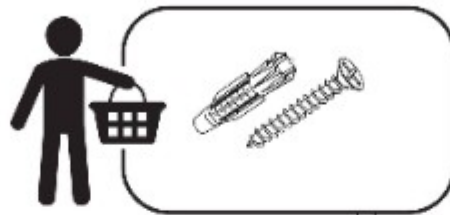
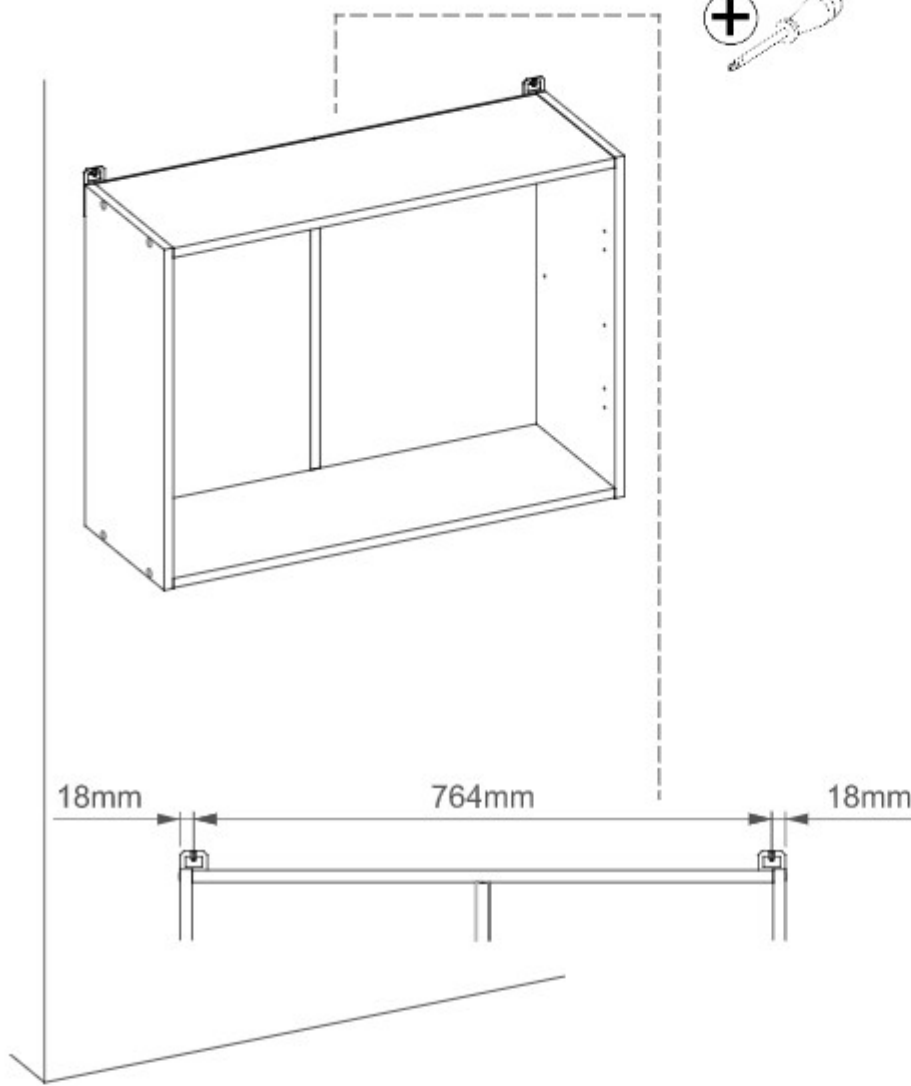
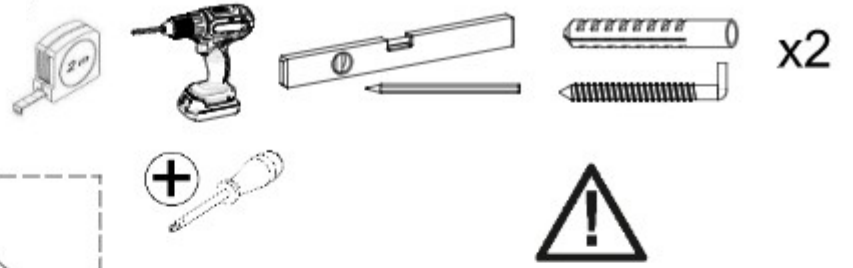
1)








2)



▶ 4





- | | | | | |
|--|--|--|---|--|
| ZN1

4 | W1 3.5x13

8 | K2 OLIVIA

2 | W4 4x28

4 | PP1

4 |
|--|--|--|---|--|

