
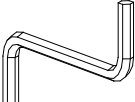
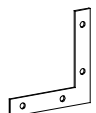
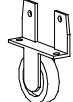
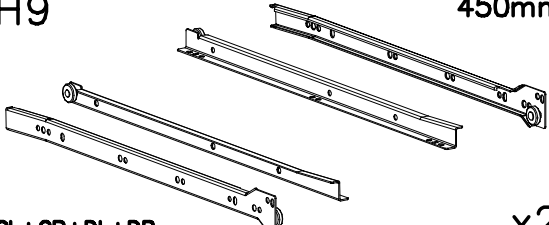


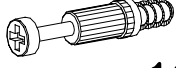
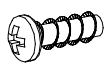


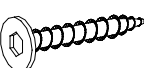
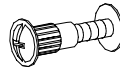

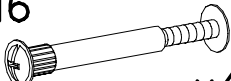
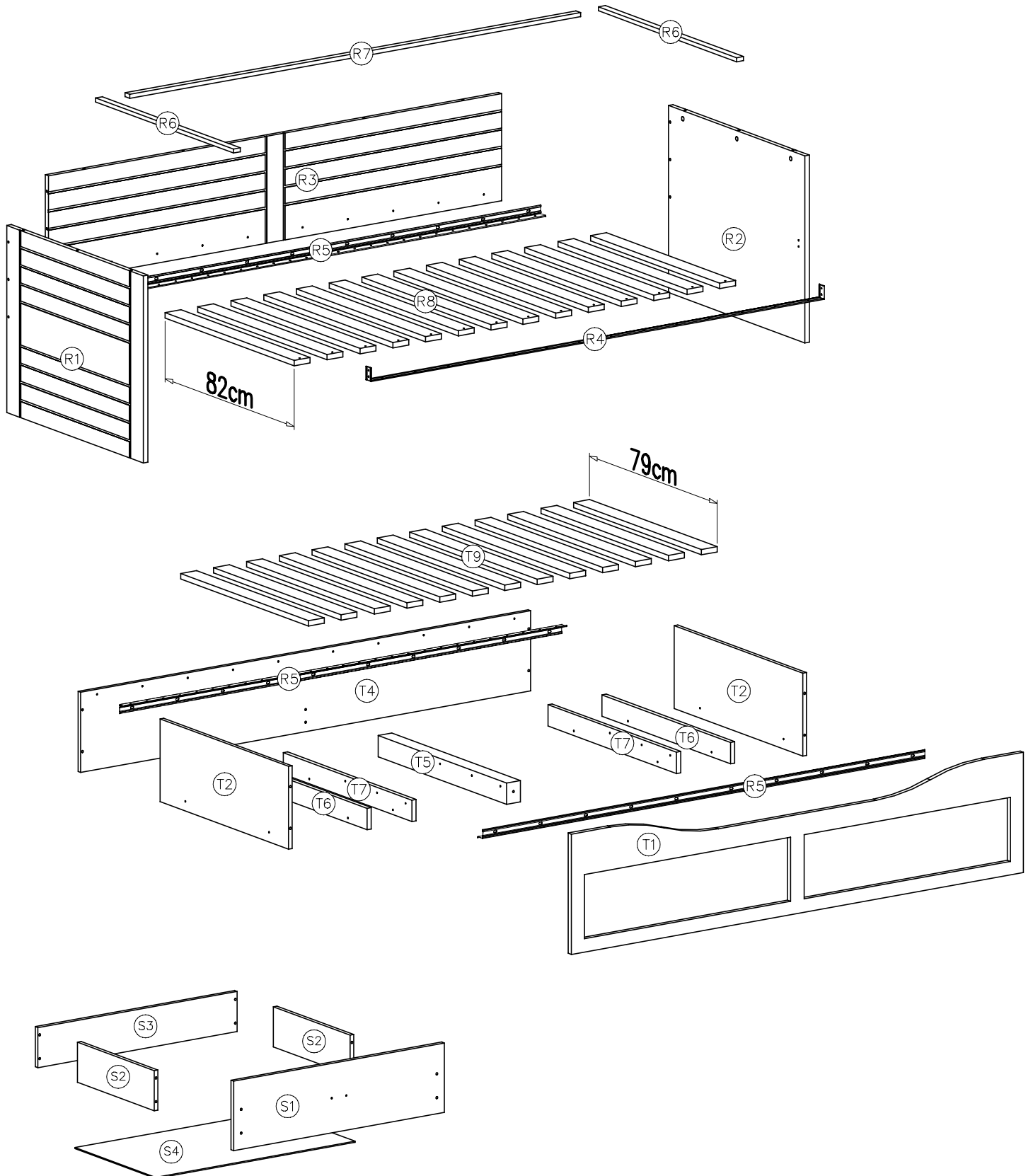
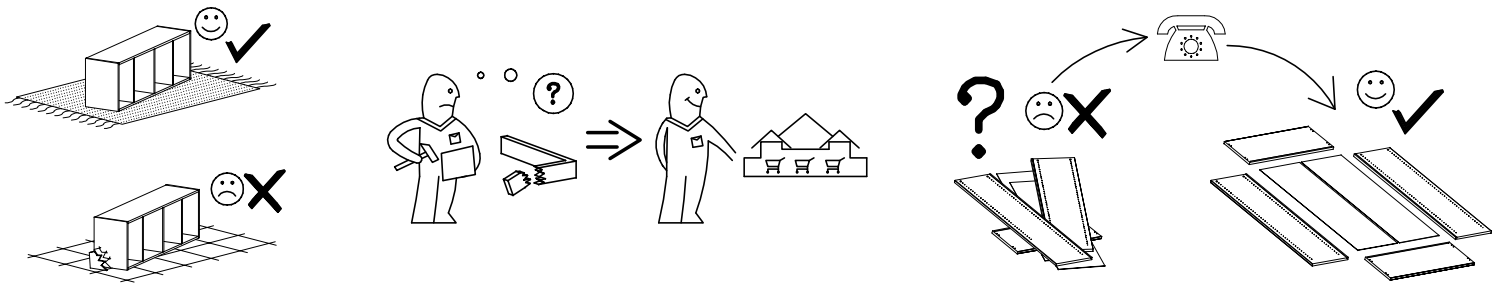
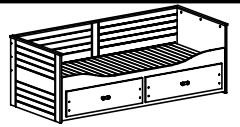
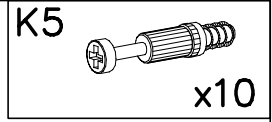
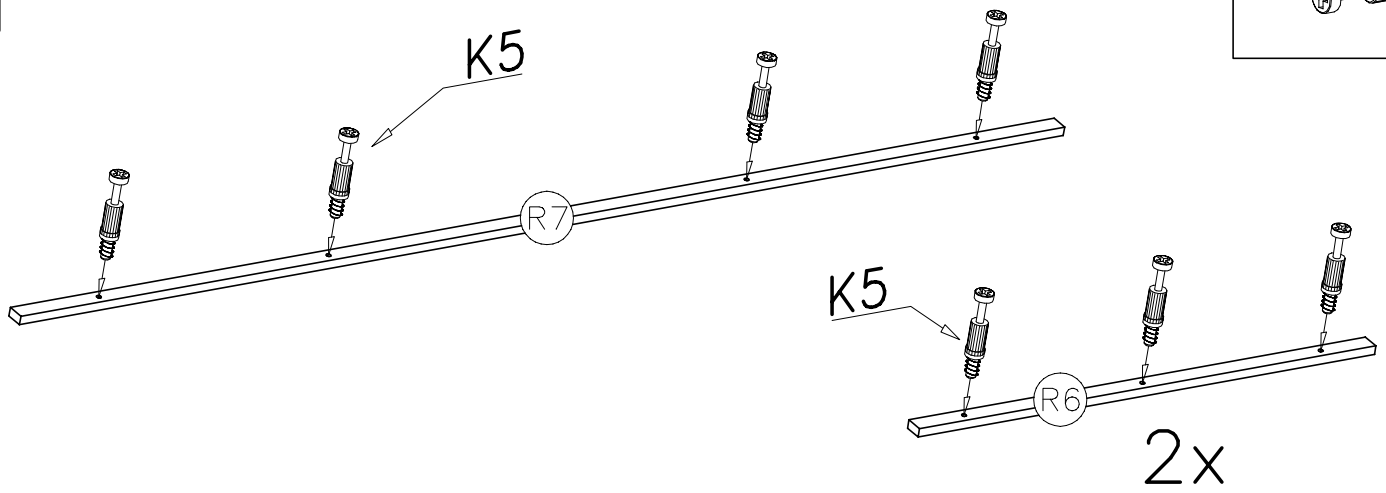


	G34  3,5x16 x44	W2  x1	M21  x2	P13  x6
H9  450mm CL+CR+DL+DR x2	I7  ø15 x10	K1  x10	K5  x10	E  6x13 x84
W4  x24	G10  6x13 x12	A4  6x50 x33	N5  x4	G8  4x30 x4
			N6  x4	

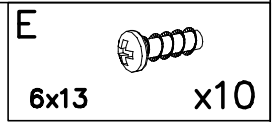
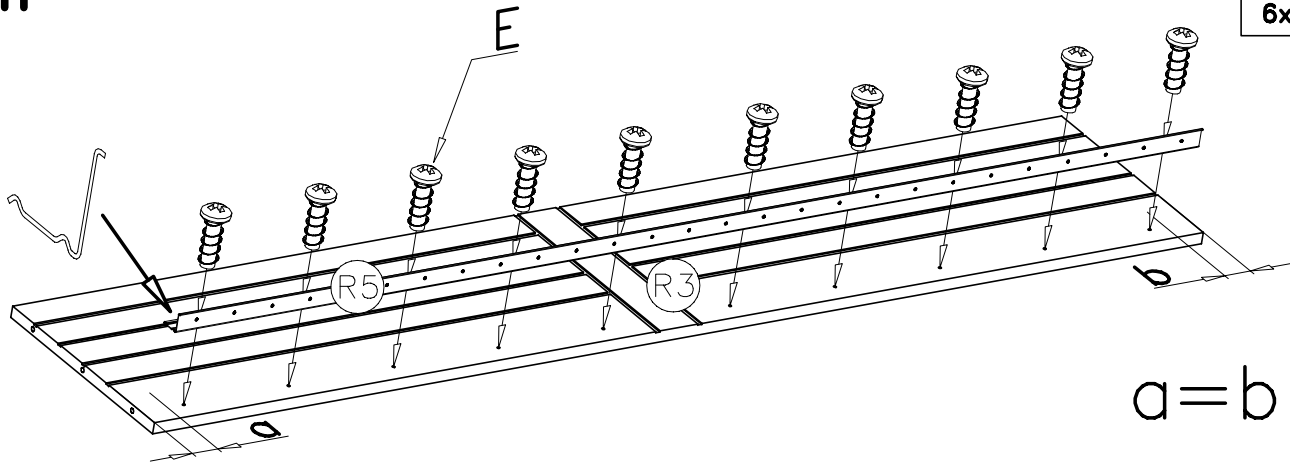




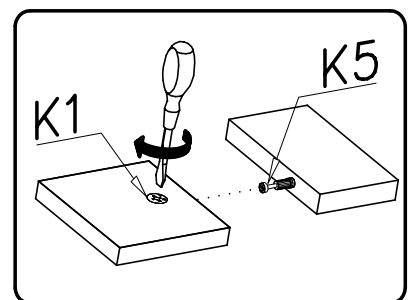
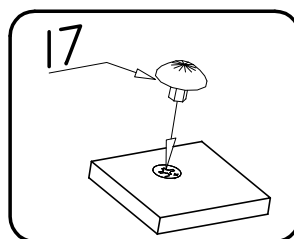
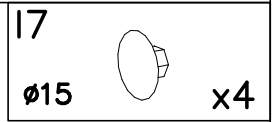
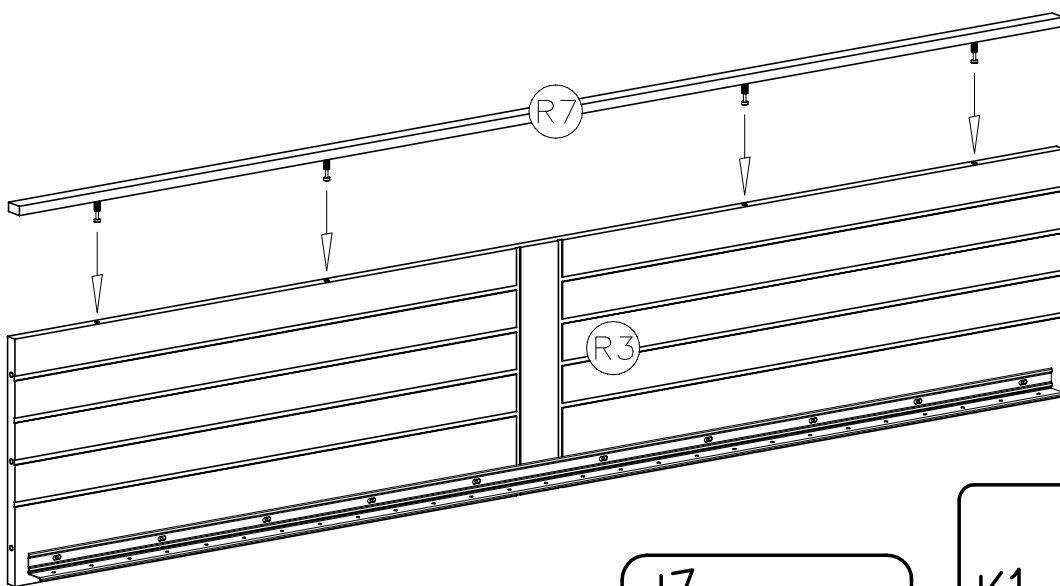
I

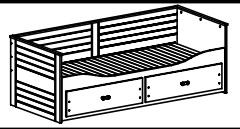


II




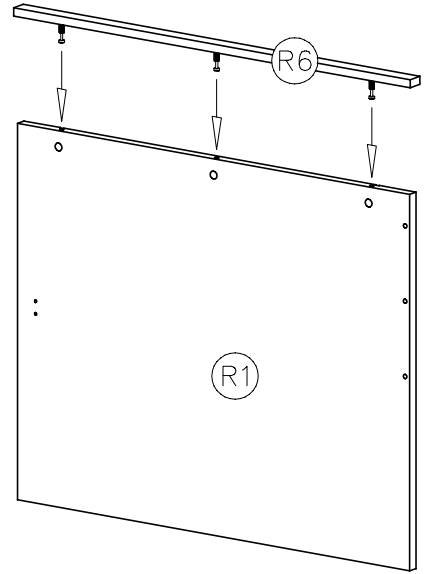
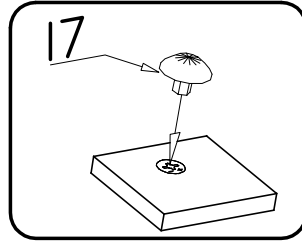
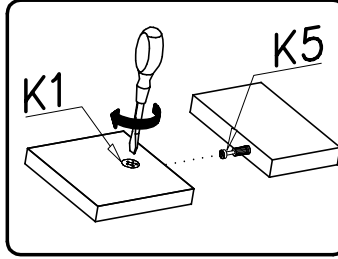
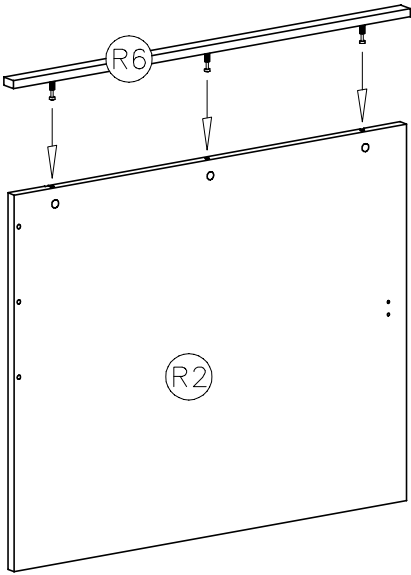
III



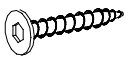


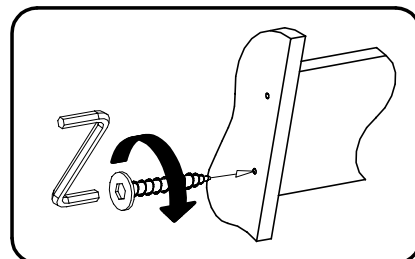
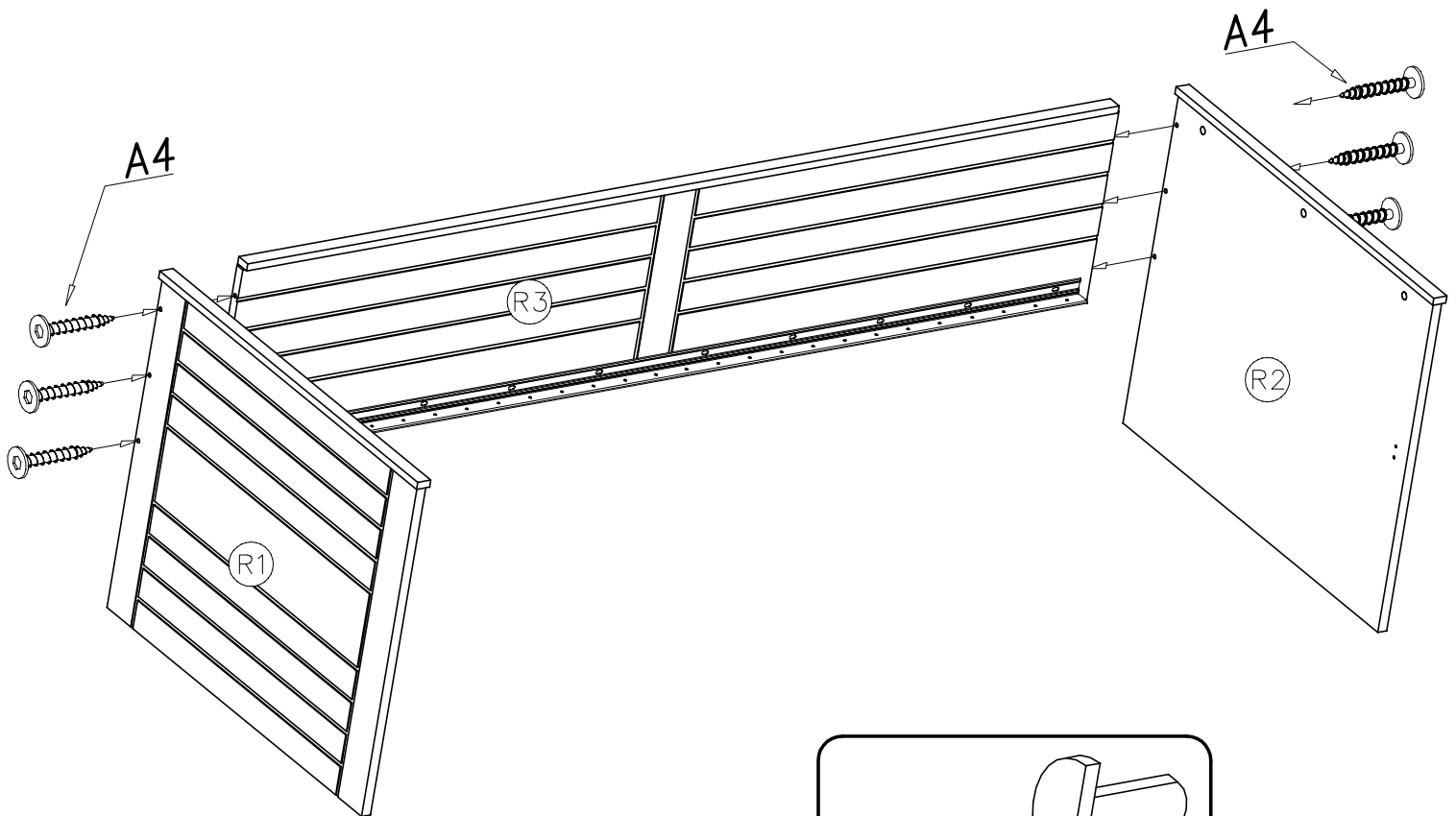
IV

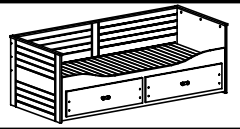
17  x6
ø15



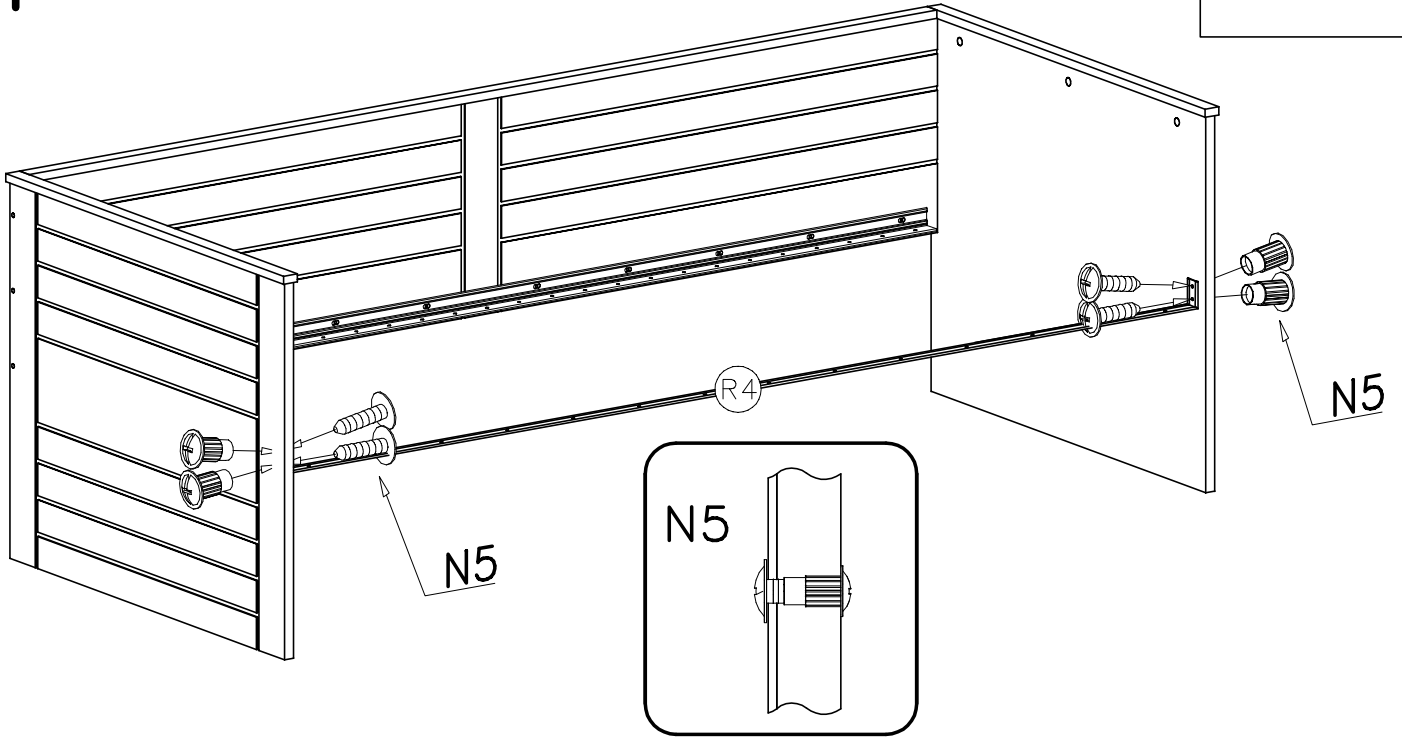
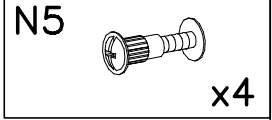
V

A4  x6
6x50

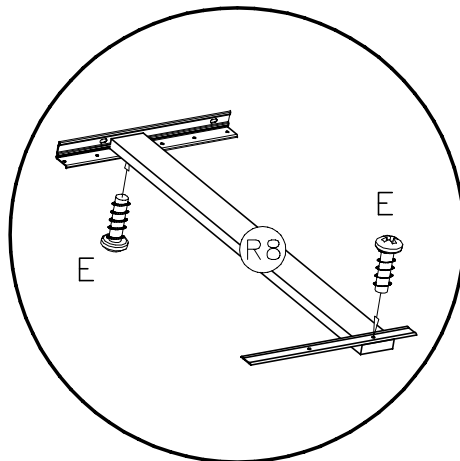
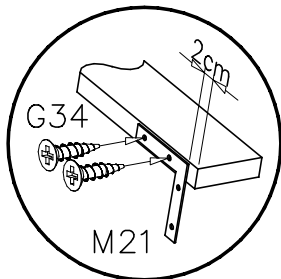
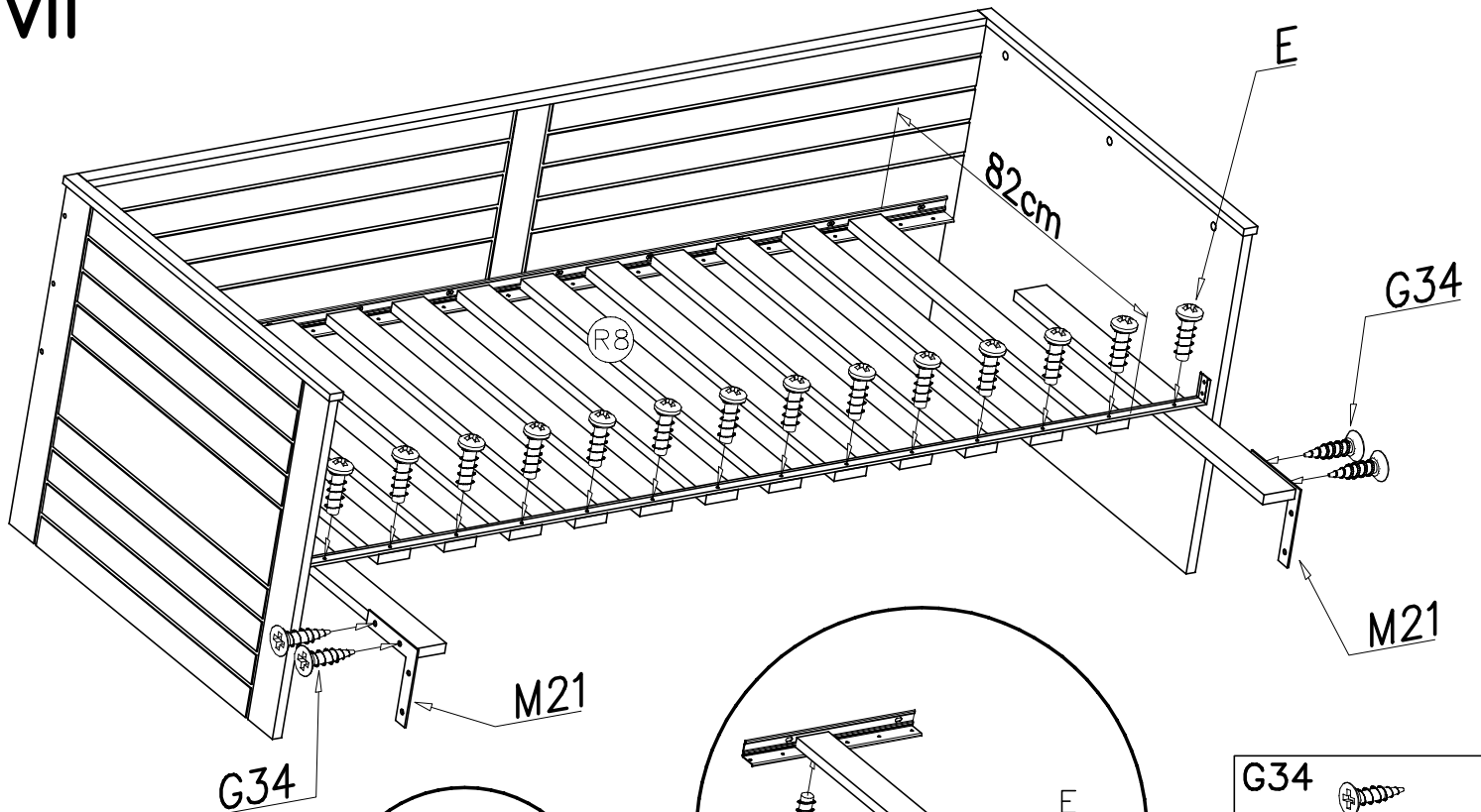




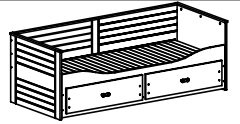
VI



VII



G34		x4
3,5x16		
E		x28
6x13		
M21		x2

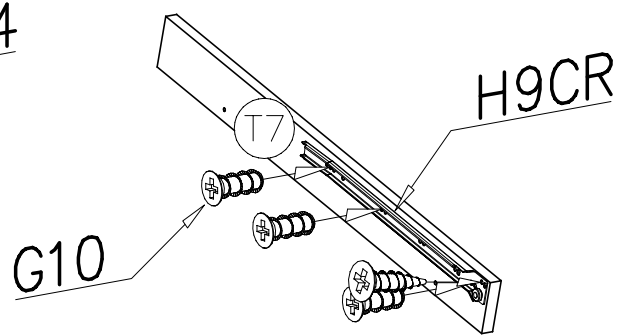
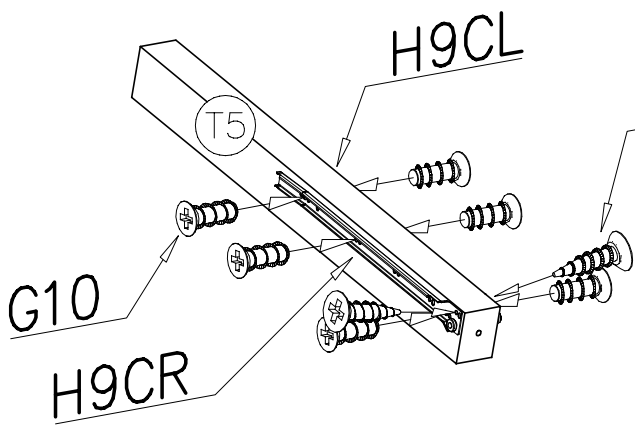
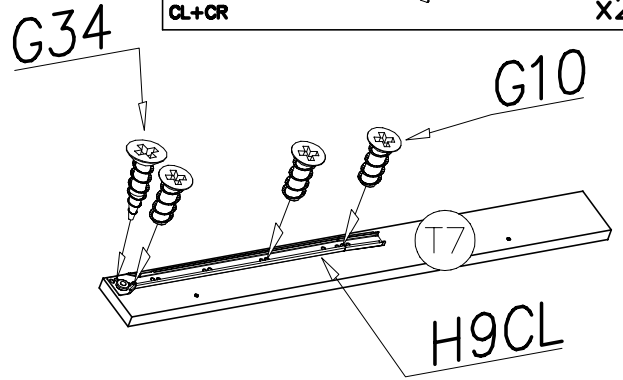
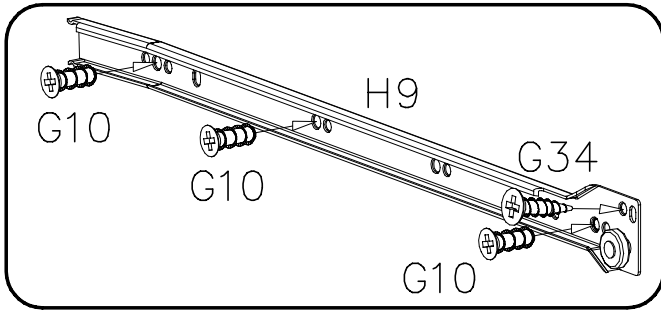


VIII

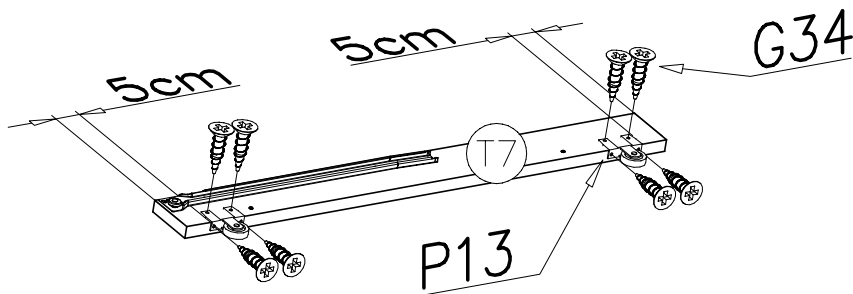
G10
6x13 x12

G34
3,5x16 x4

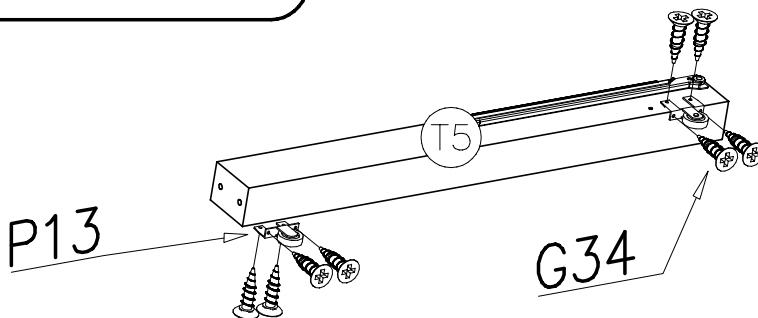
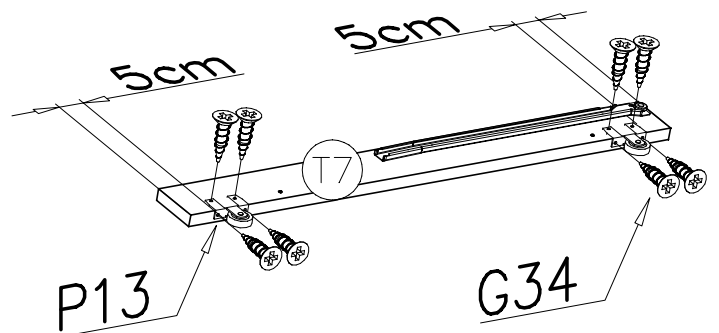
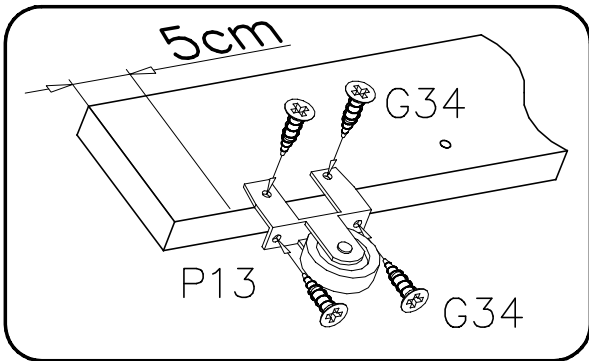
H9
450mm
CL+CR
x2

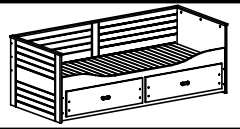


IX

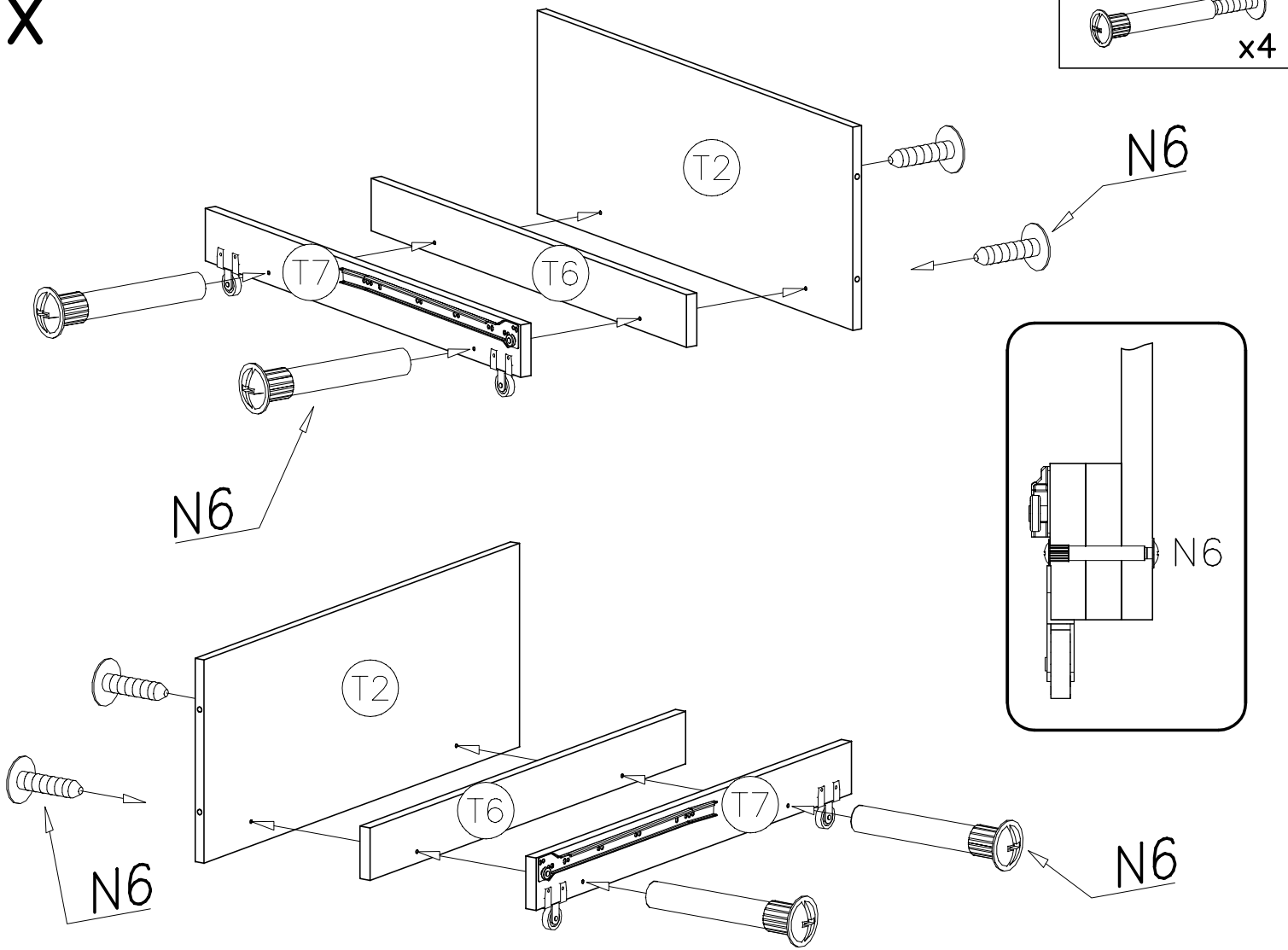


G34
3,5x16 x24
P13
x6

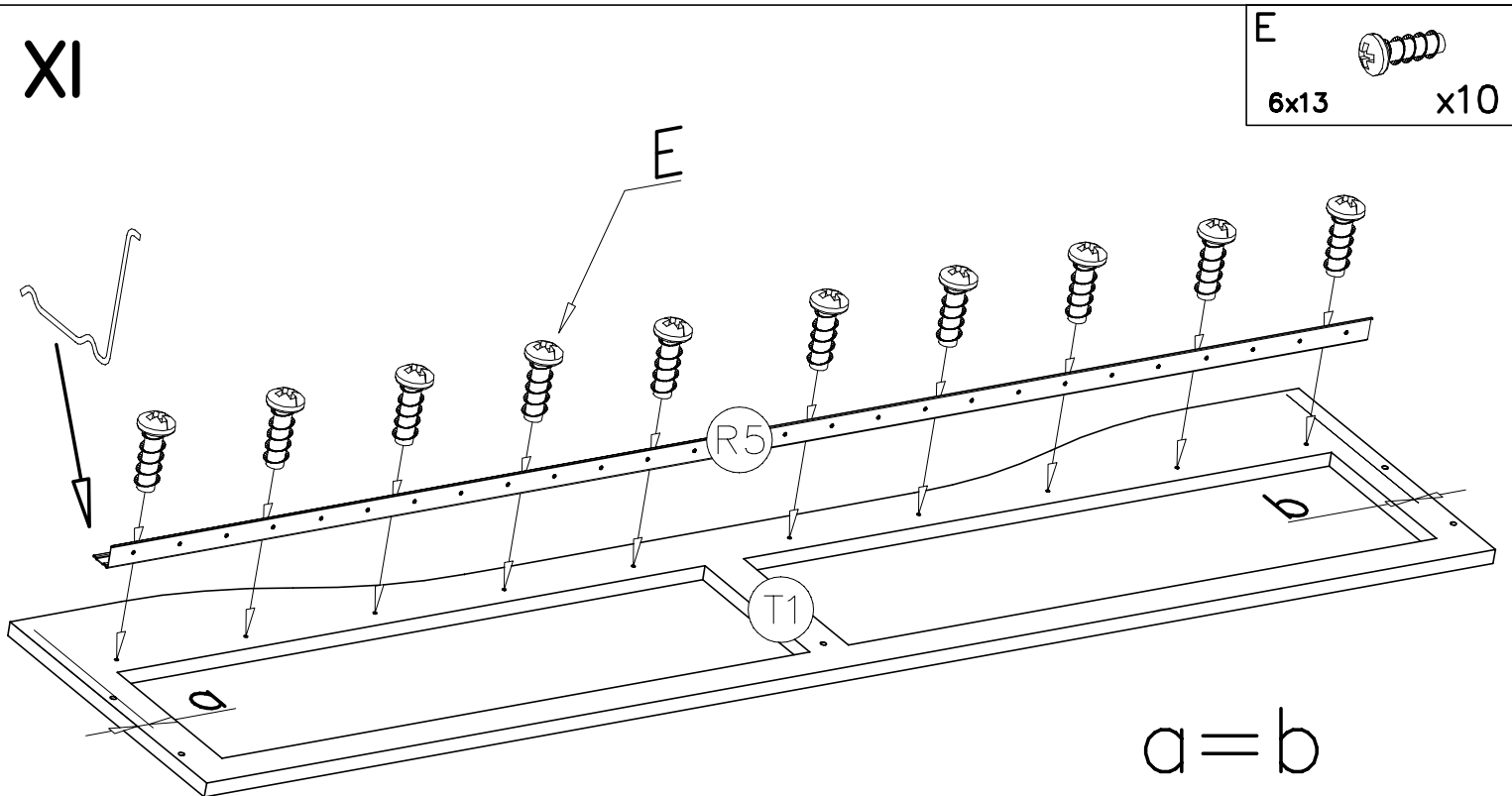


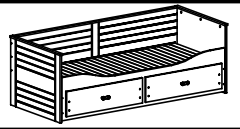


X



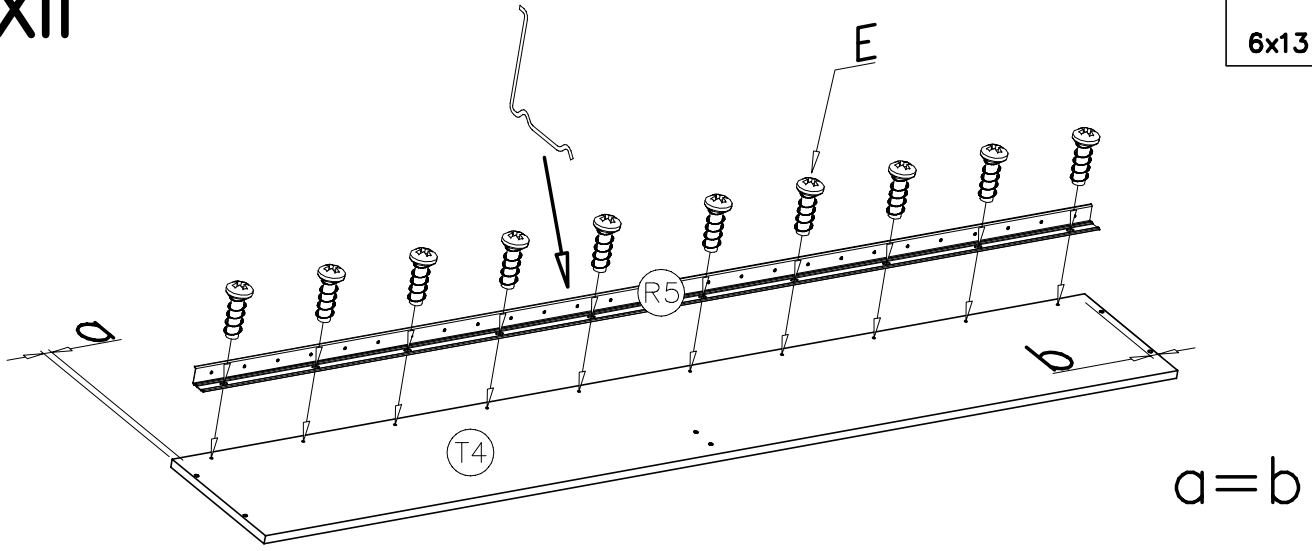
XI





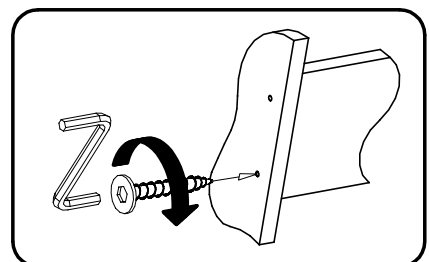
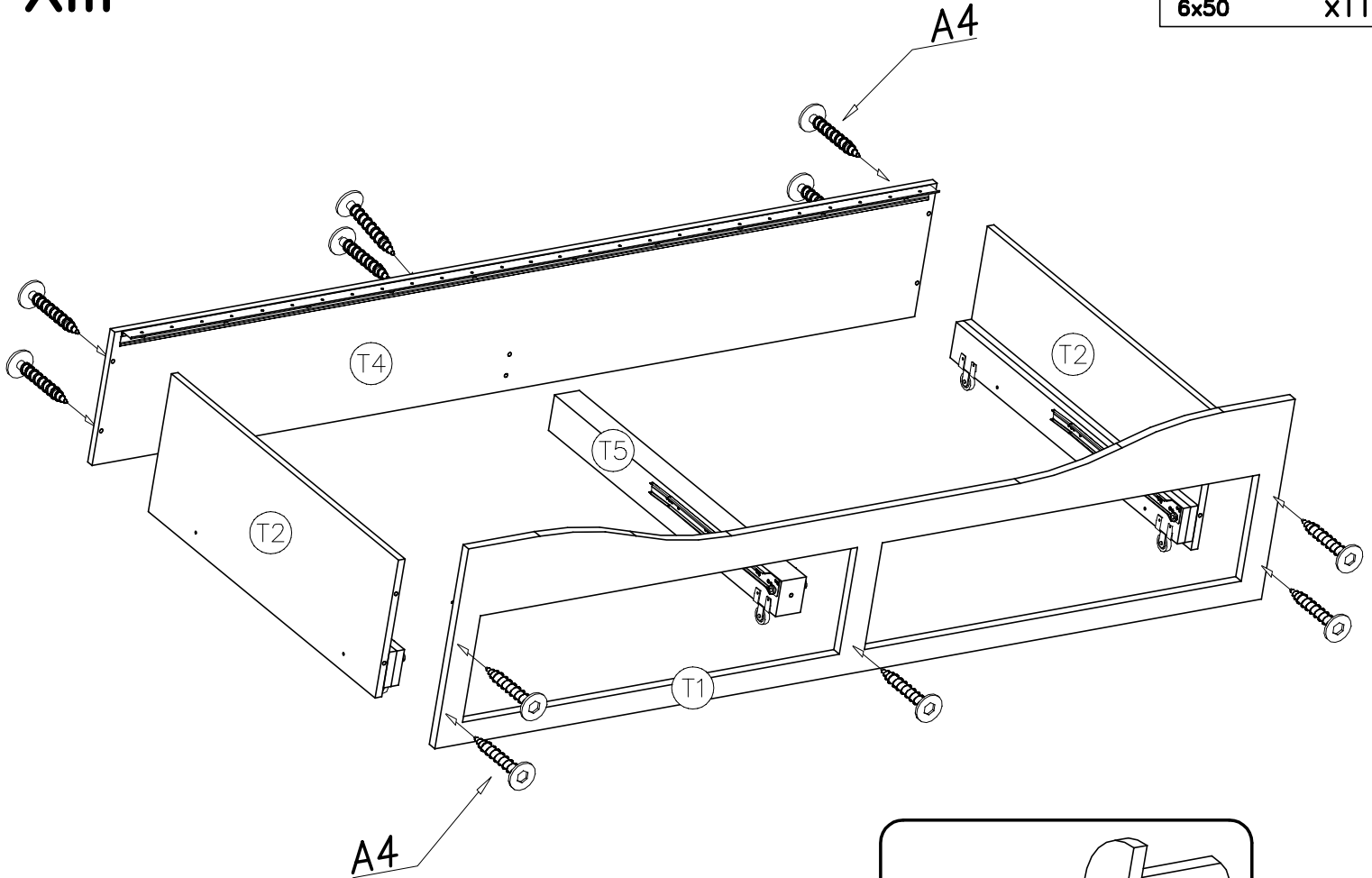
XII

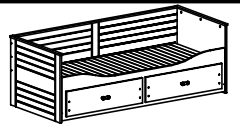
E
6x13 x10




XIII

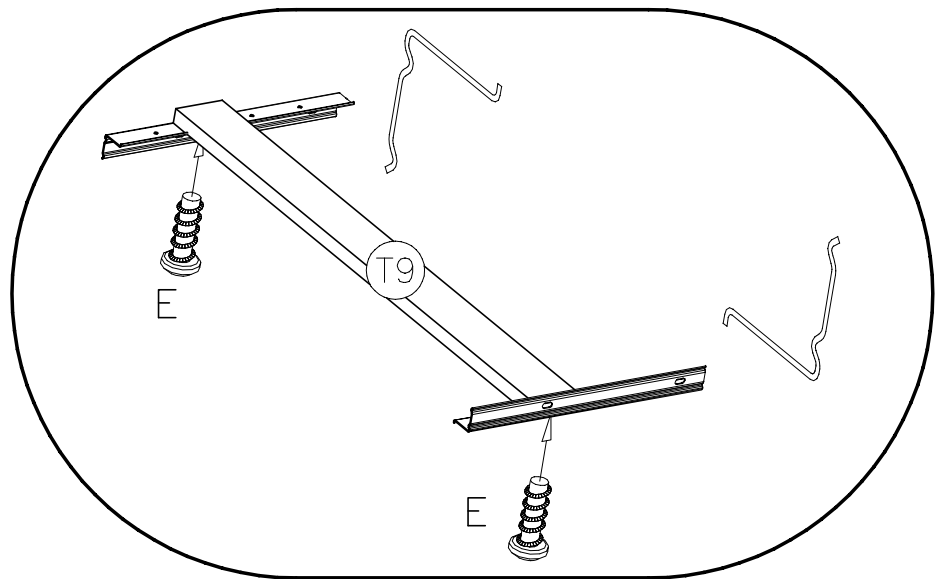
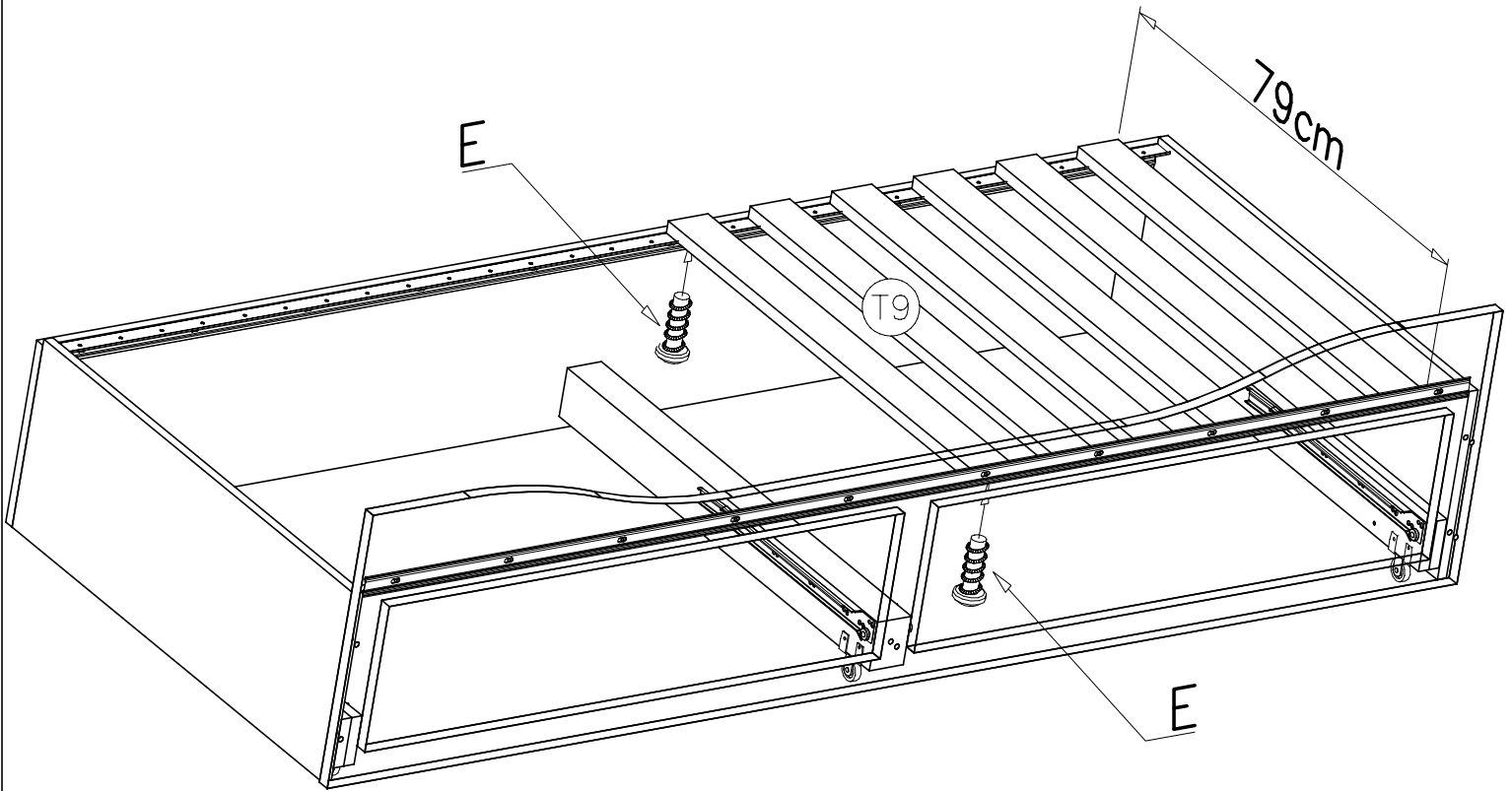
A4
6x50 x11

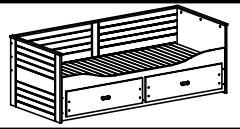




XIV

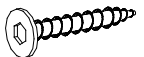
E  6x13 x26

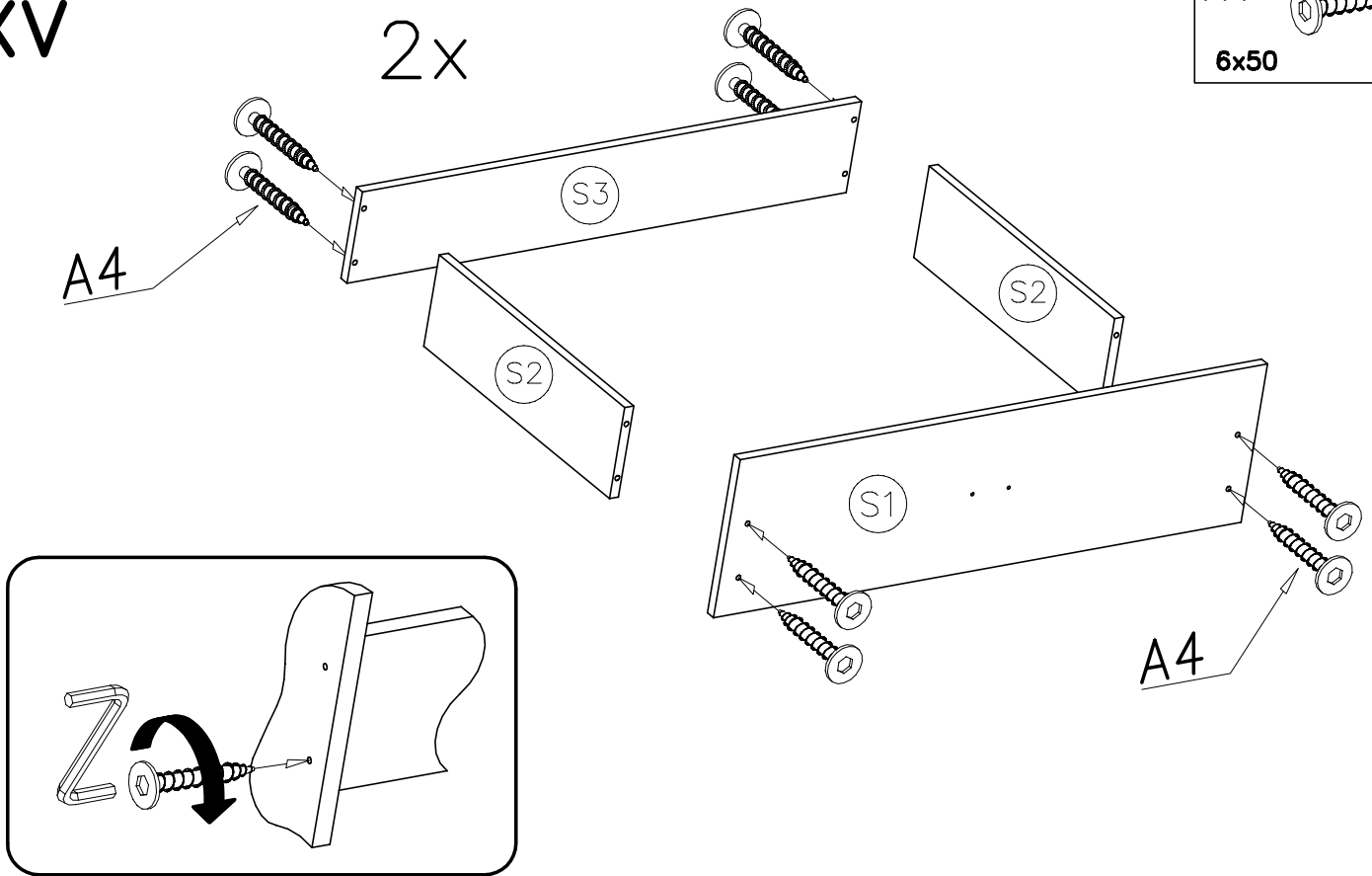




XV


2x

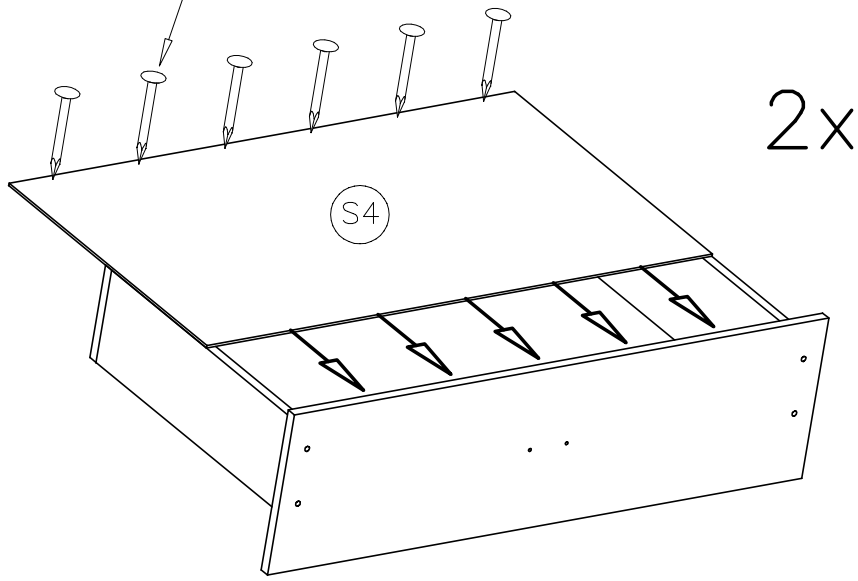
A4 
6x50 x16



XVI

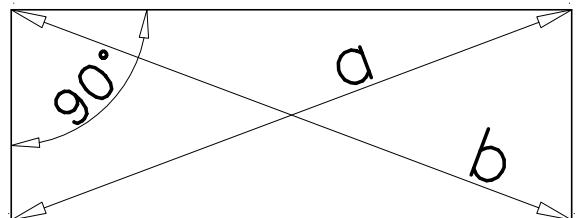
W4

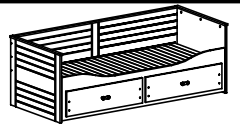
W4 
x24



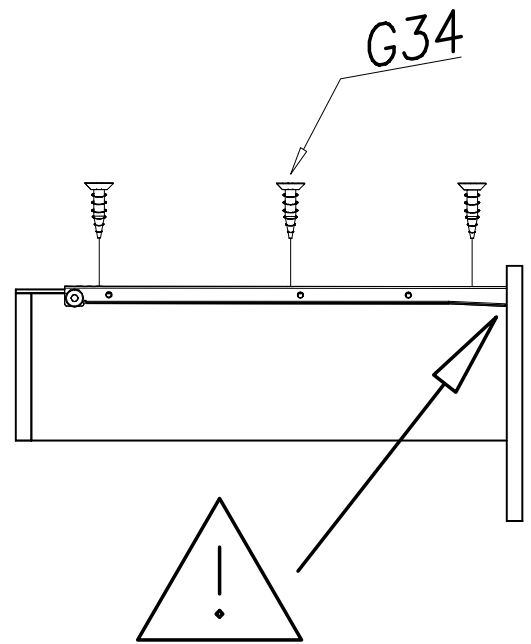
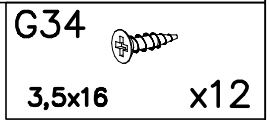
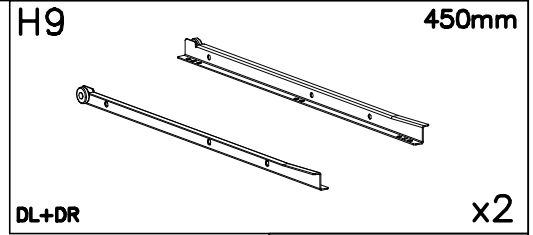
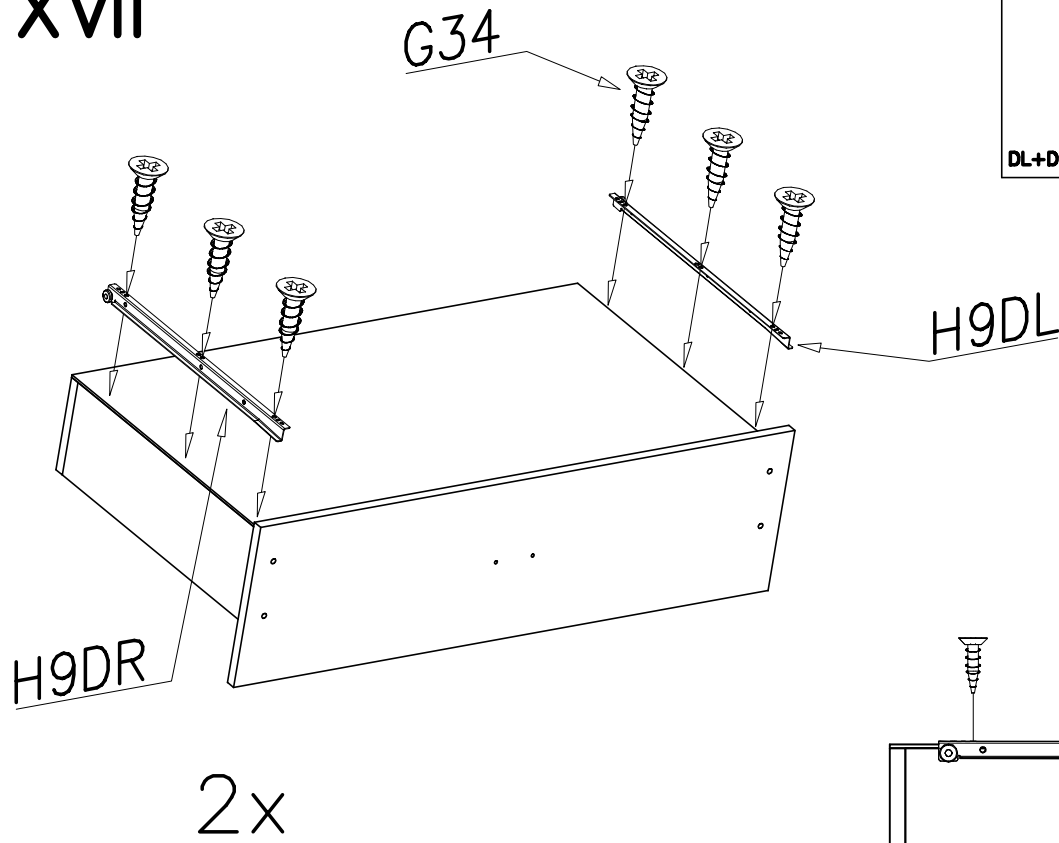
2x

$a=b$

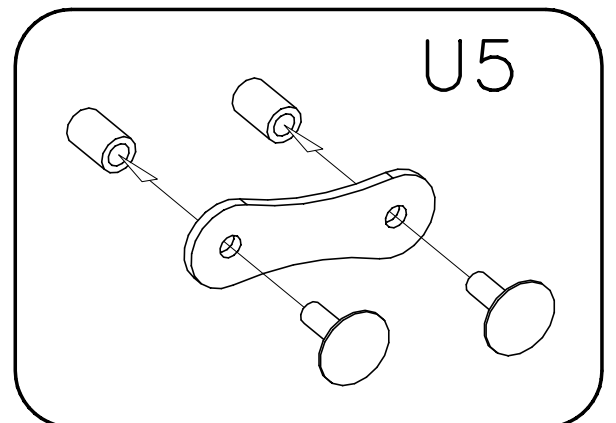
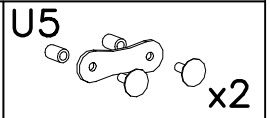
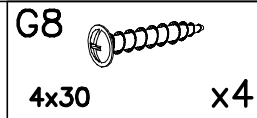
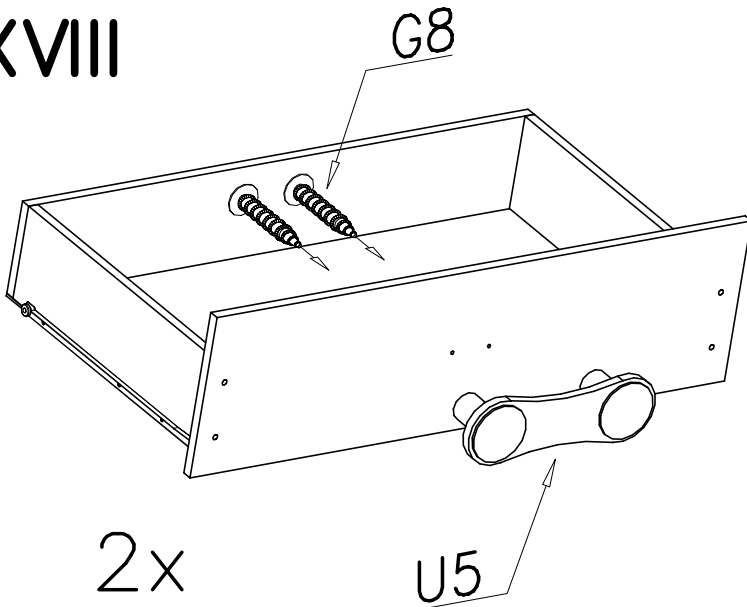




XVII



XVIII



XIX

