

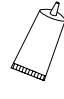
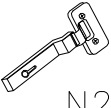

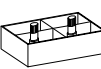

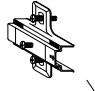

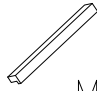




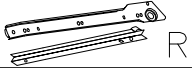

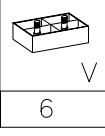
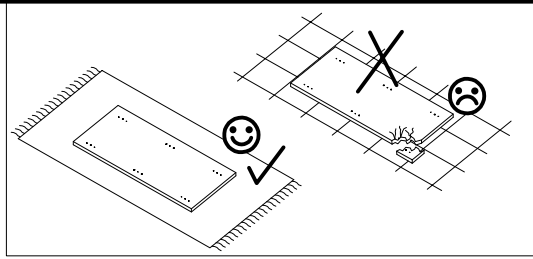
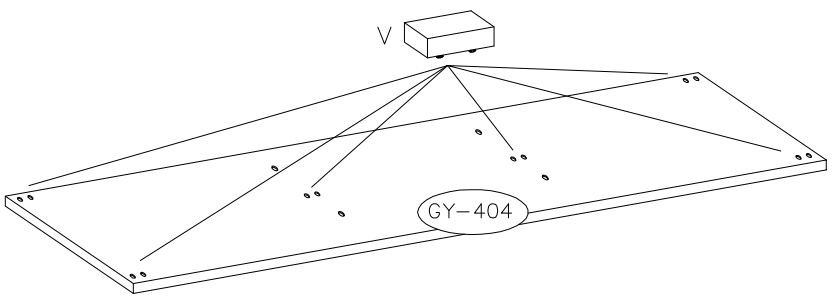
	6.3X13 	6.0X11 			4.0X25 
12	12	16	12	8	8	16	1	4	12
					6.4X50 	4mm 	3.0x13 	3.0x20 	 
6	8	4	1	6	4	1	8	16	4KPL

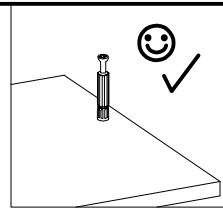
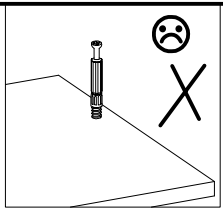
1



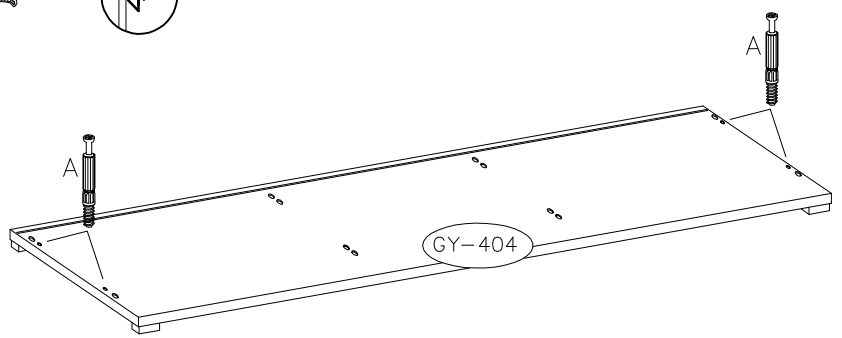
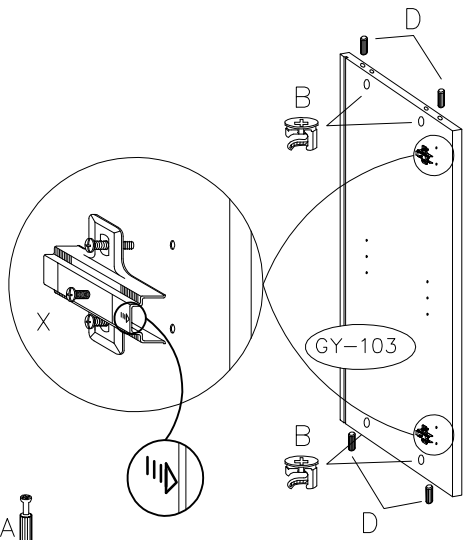
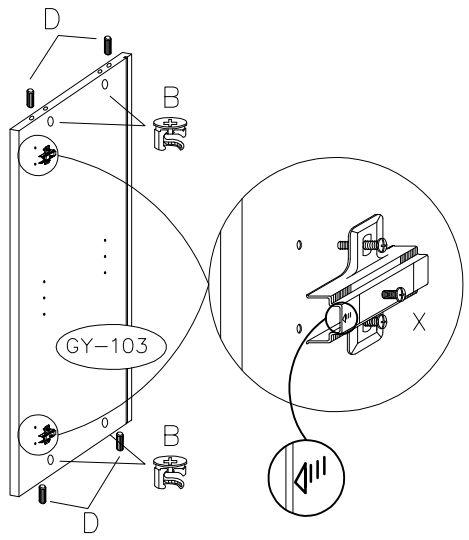
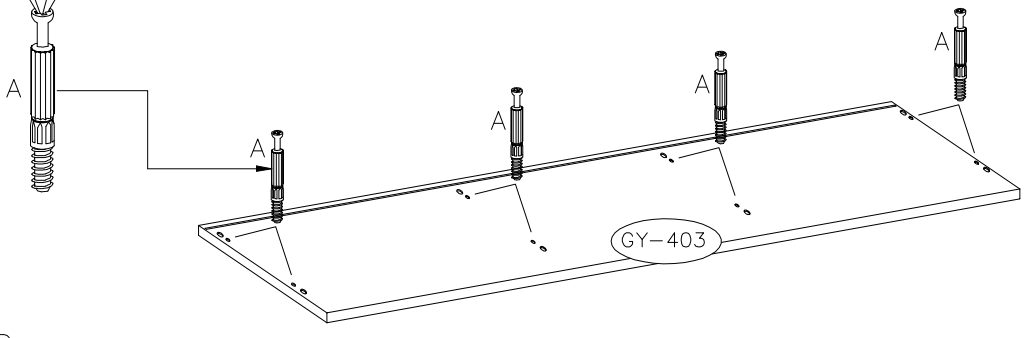
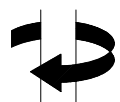
V
6









2

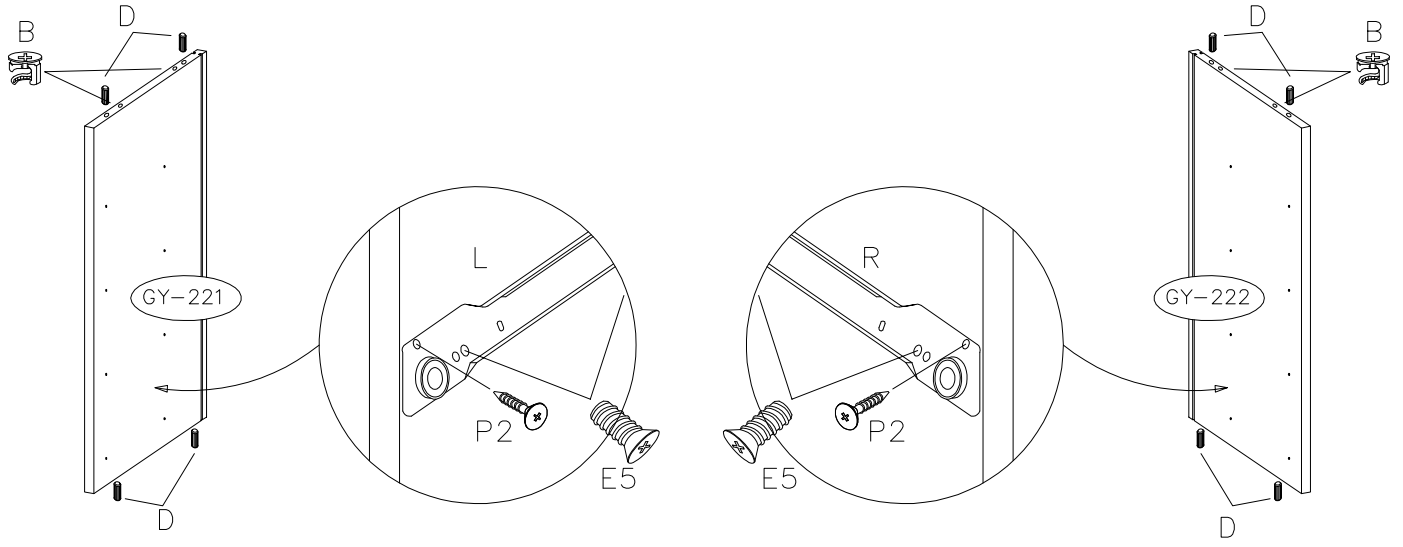


A	B	D	X
12	8	8	4

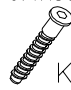



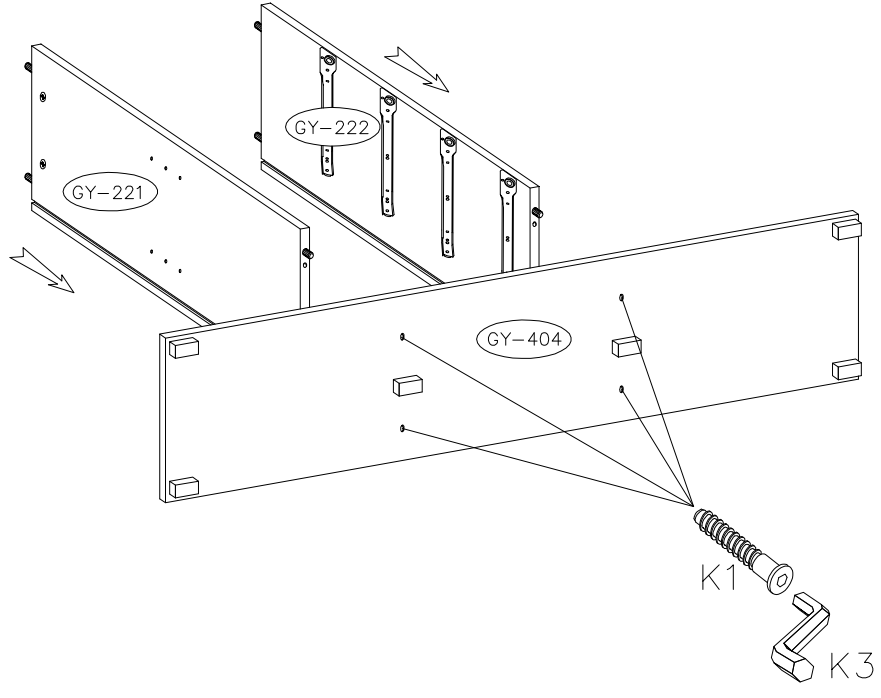
3

6.0X11  E5	 B	 D	3.0X13  P2	 R  L
16	4	8	8	4

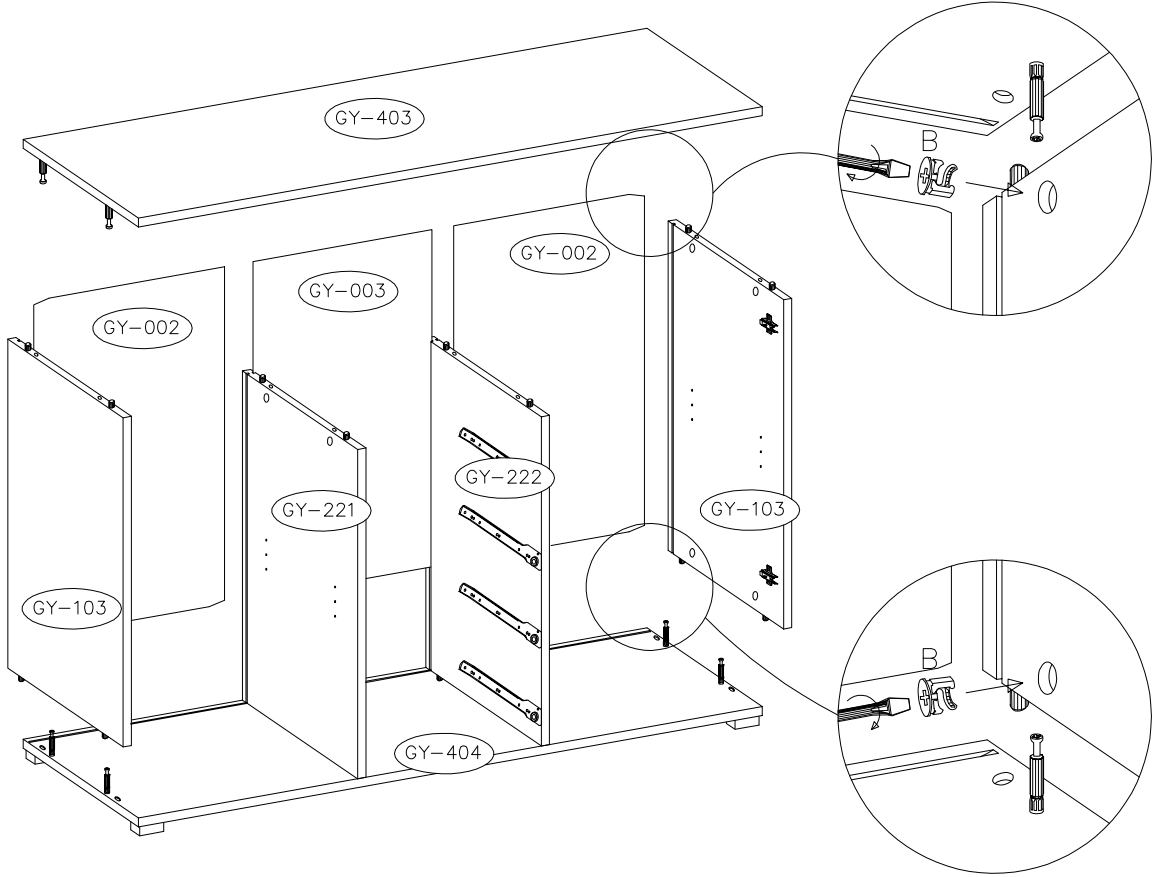


4

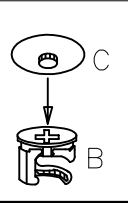
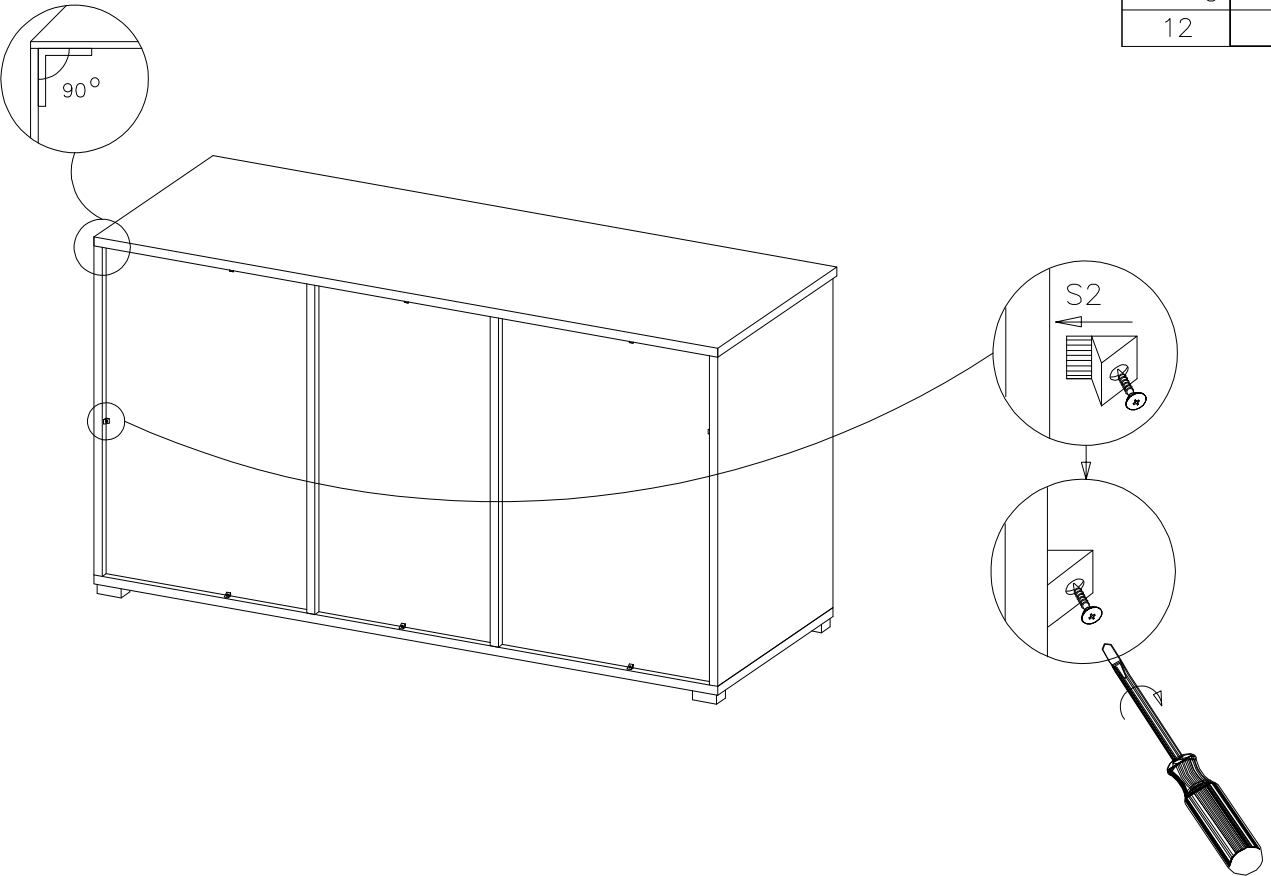
6.4X50  K1	4mm  K3
4	1



5



6

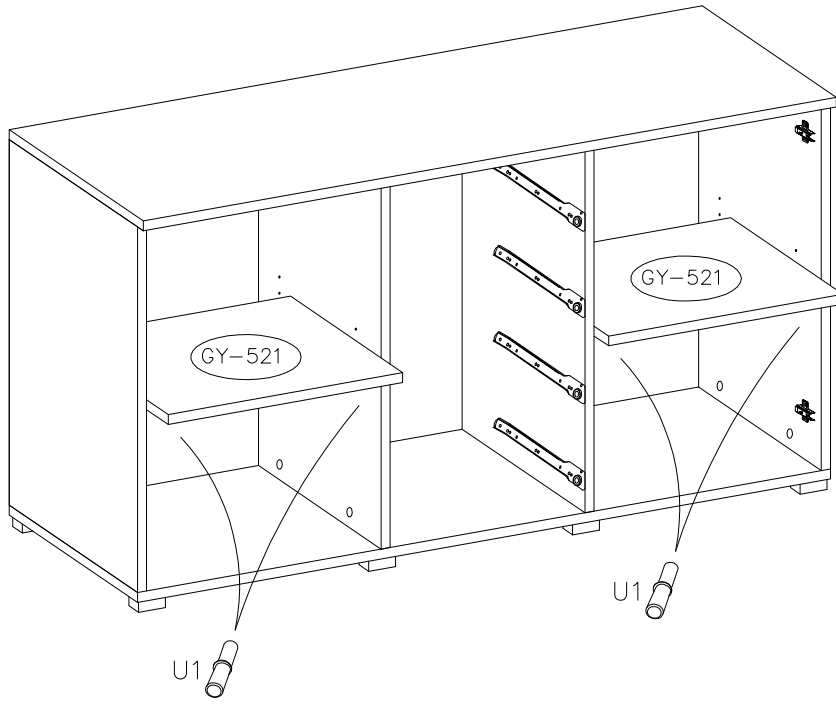


7



U1

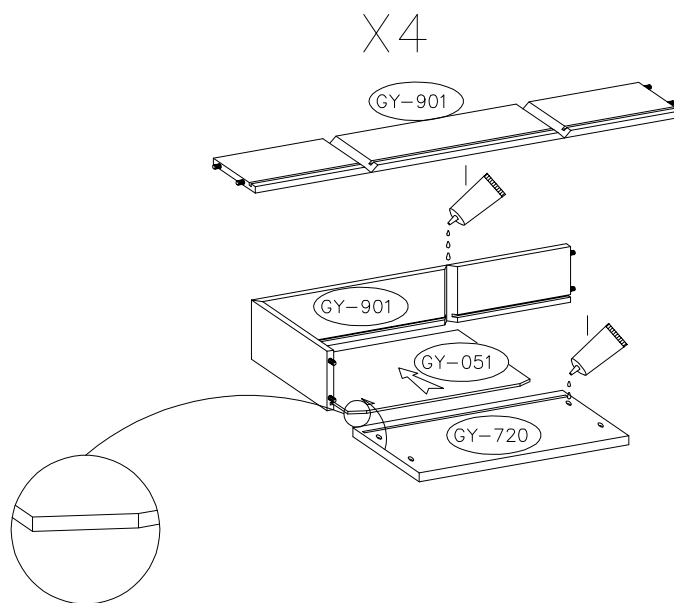
8



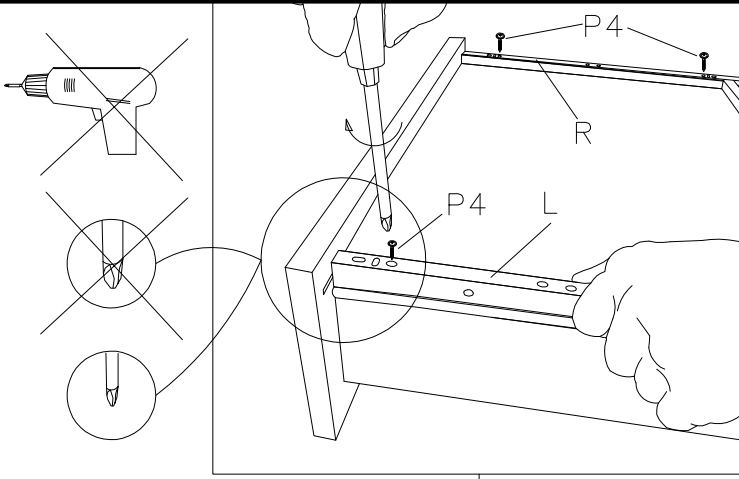
8



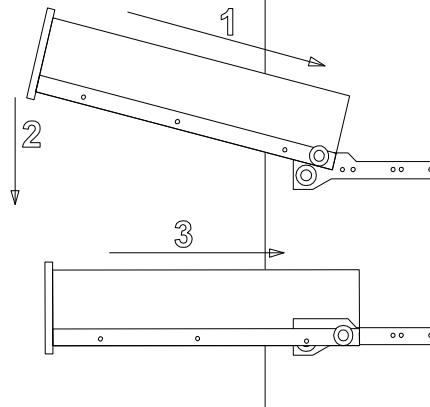
1



9

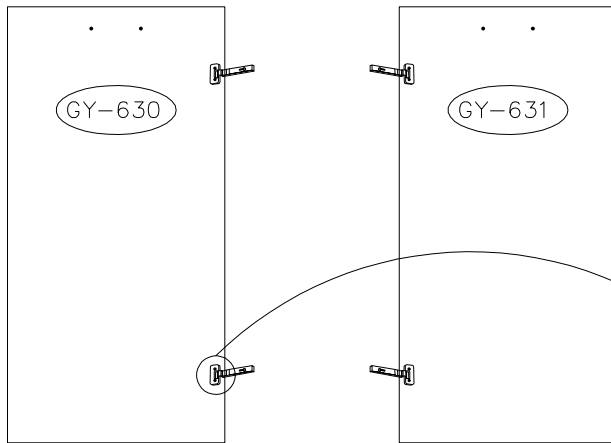


3.0x20		R
P4		L
16		4



X4

10



	6.3X13	4.0X25	
M1	E	U3	N2
6	8	12	4

