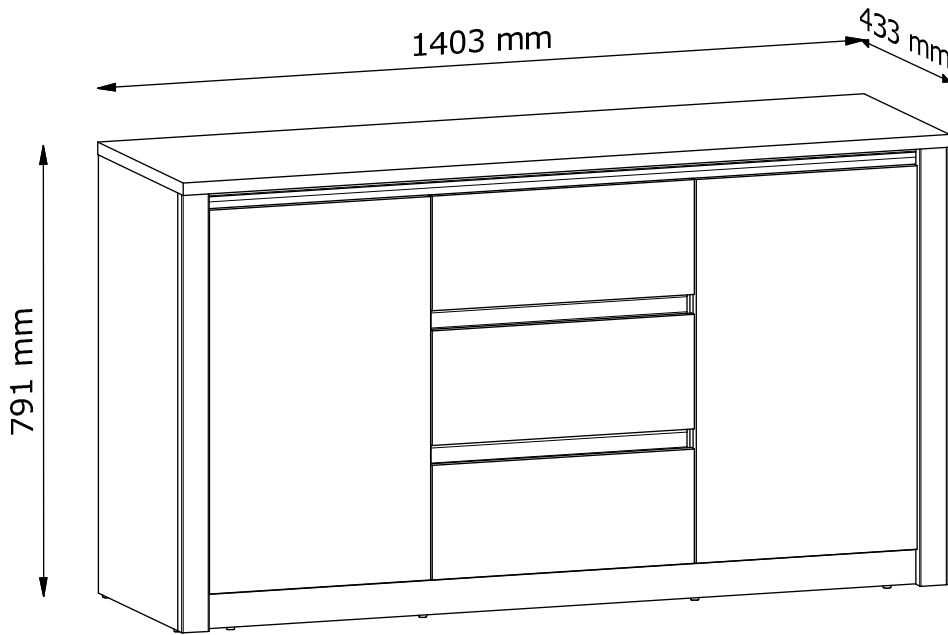
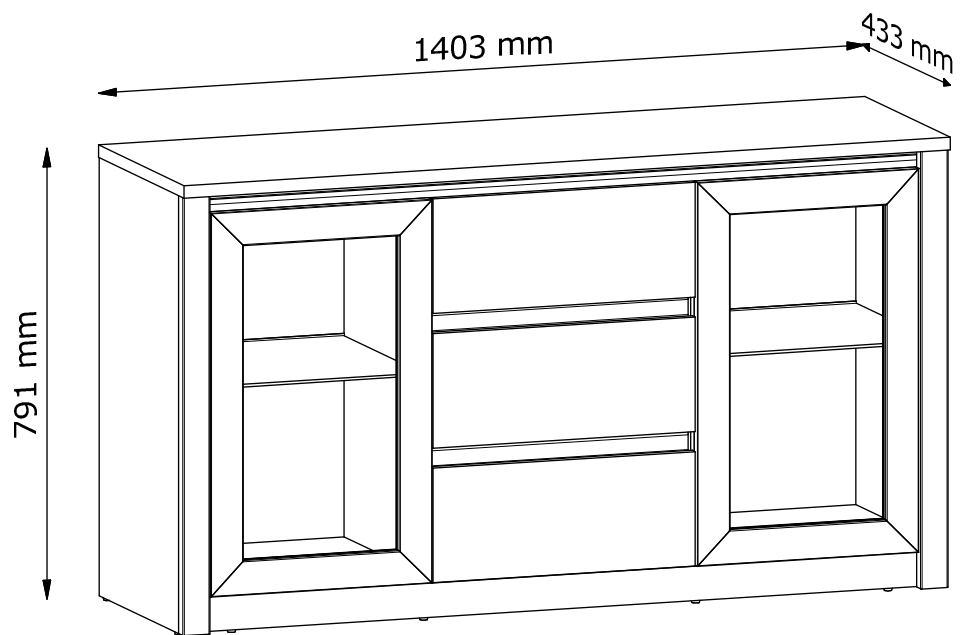


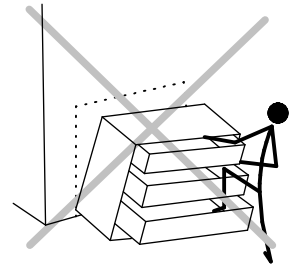
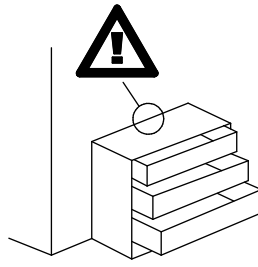
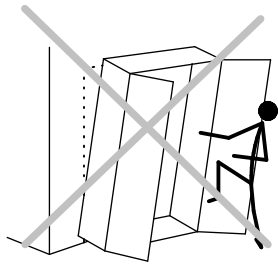
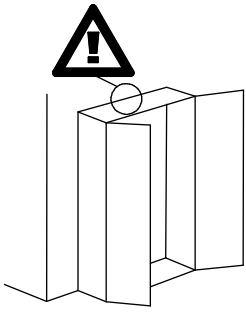
K2DP / K2D

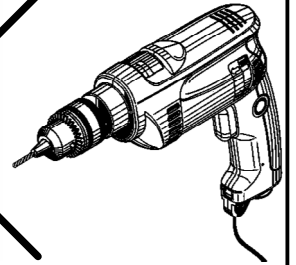
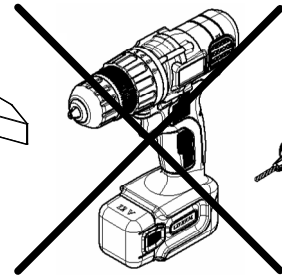
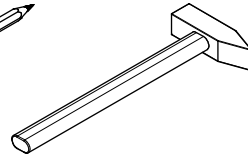
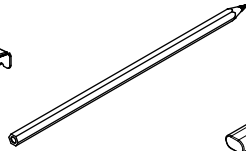
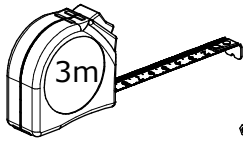
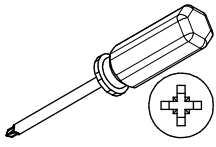


K2DP

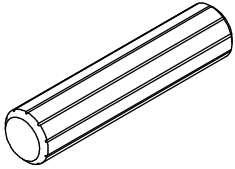
K2D





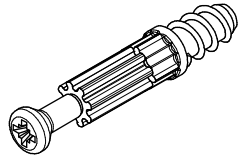


A1 x32



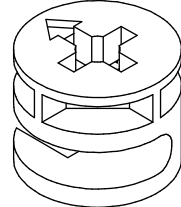
Ø8x35mm

B1 x30



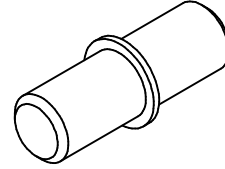
Ø5x38mm

C1 x30



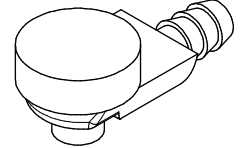
Ø15x12mm

E1 x8 K2DP

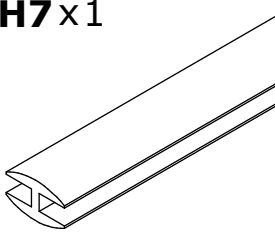


Ø5x16mm

E9 x8 K2D

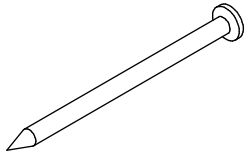


H7 x1



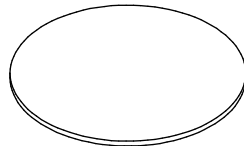
1395mm

G1 x80



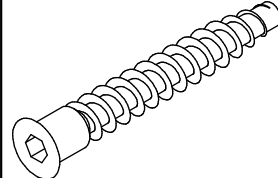
26mm

J x14



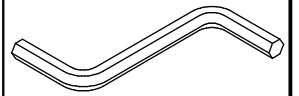
Ø21mm

K1 x16



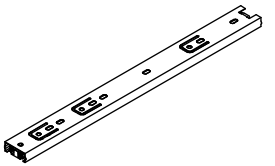
Ø6,4x50mm

N2 x1



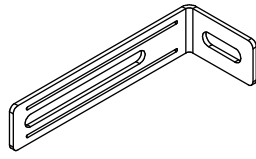
4mm HEX

P2 x6



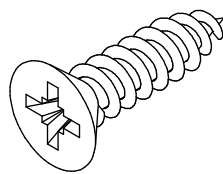
350mm

T4 x2



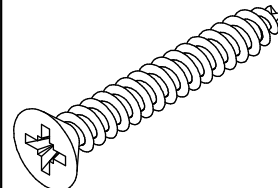
75x28x16 mm

W2 x42



Ø3,5x16mm

W5 x2



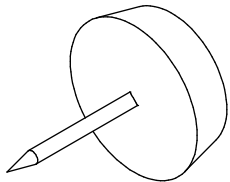
Ø4x30mm

Y1 x10



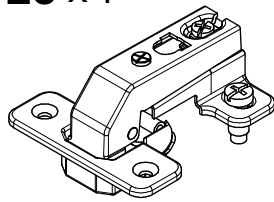
Ø8x1,5mm

Y5 x8

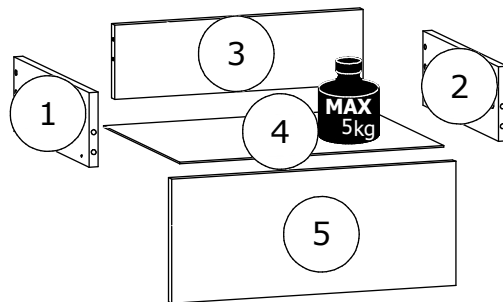
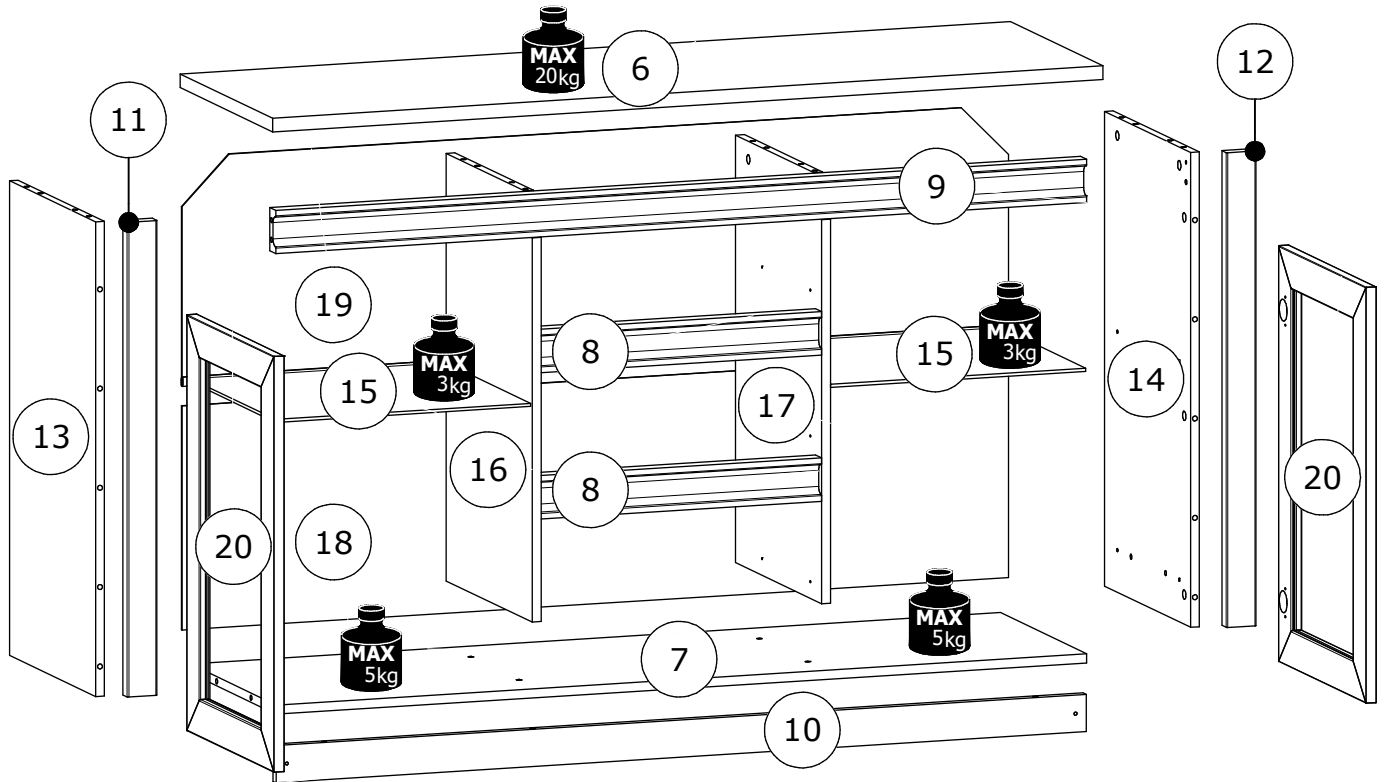
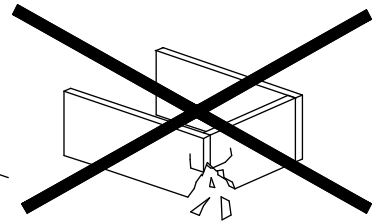
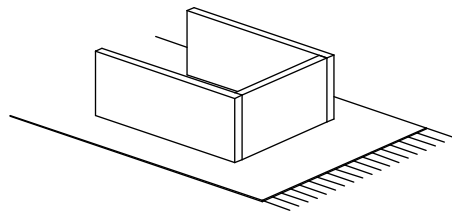
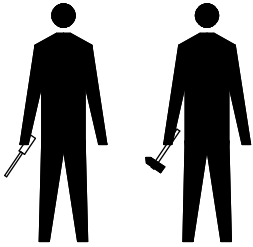


Ø15x20mm

Z6 x4



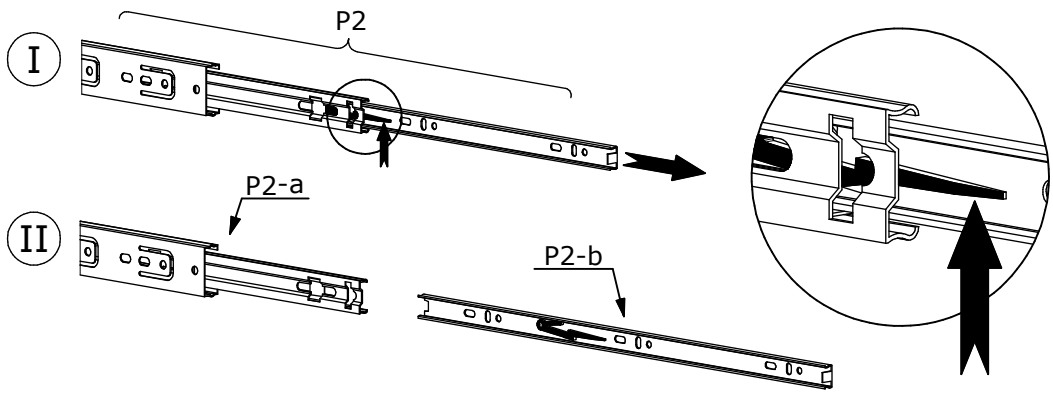
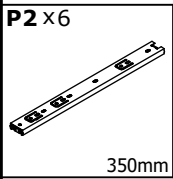
Ø35mm, 90°



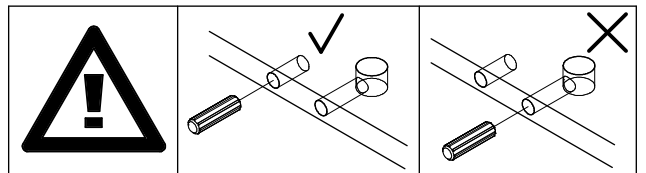
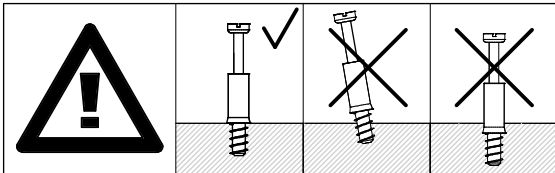
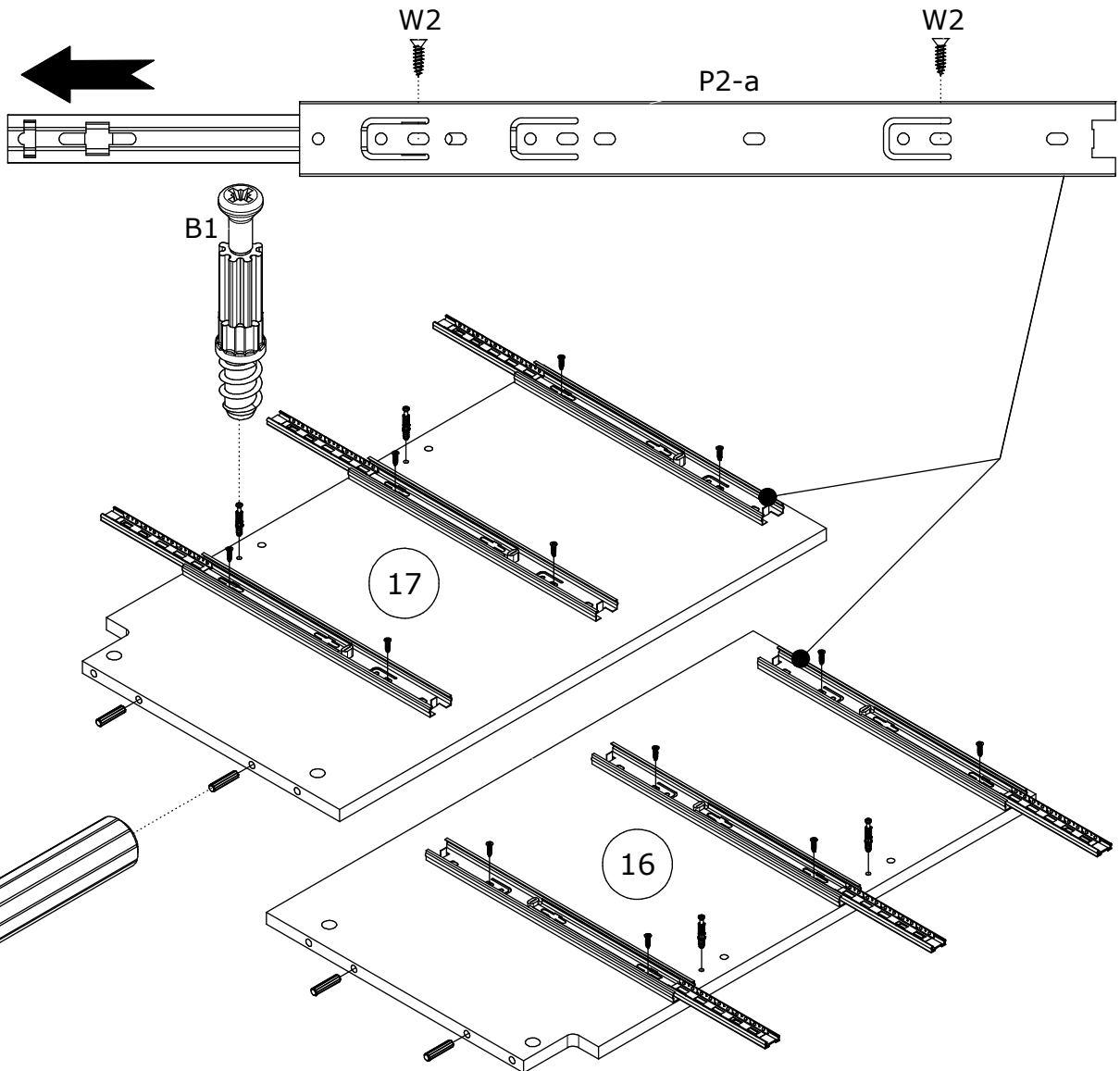
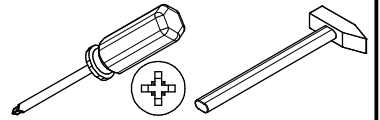
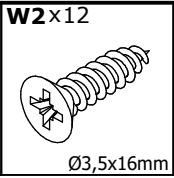
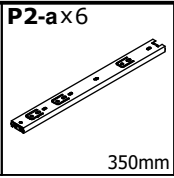
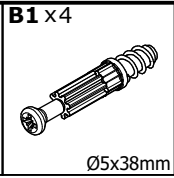
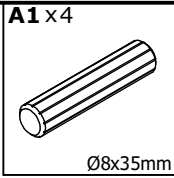
x3

No.	L[mm]	W[mm]	H[mm]	PCS	BOX
1	350	120	15	3	2/4
2	350	120	15	3	1/4
3	420	120	15	3	1/4
4	446	354	2,5	3	1/4
5	480	200	15	2	2/4
5	480	200	15	1	1/4
6	1403	430	22	1	1/4
7	1370	400	15	1	1/4
8	474	70	28	2	1/4
9	1370	70	28	1	1/4
10	1369	60	15	1	1/4
11	765	50	22	1	2/4
12	765	50	22	1	2/4
13	765	400	15	1	2/4
14	765	400	15	1	2/4
15	431/432	395/390	5/15	2	3/4
16	689	400	15	1	2/4
17	689	400	15	1	2/4
18	1397	361	2,5	1	1/4
19	1397	361	2,5	1	1/4
20	670	405	18/15	2	4/4

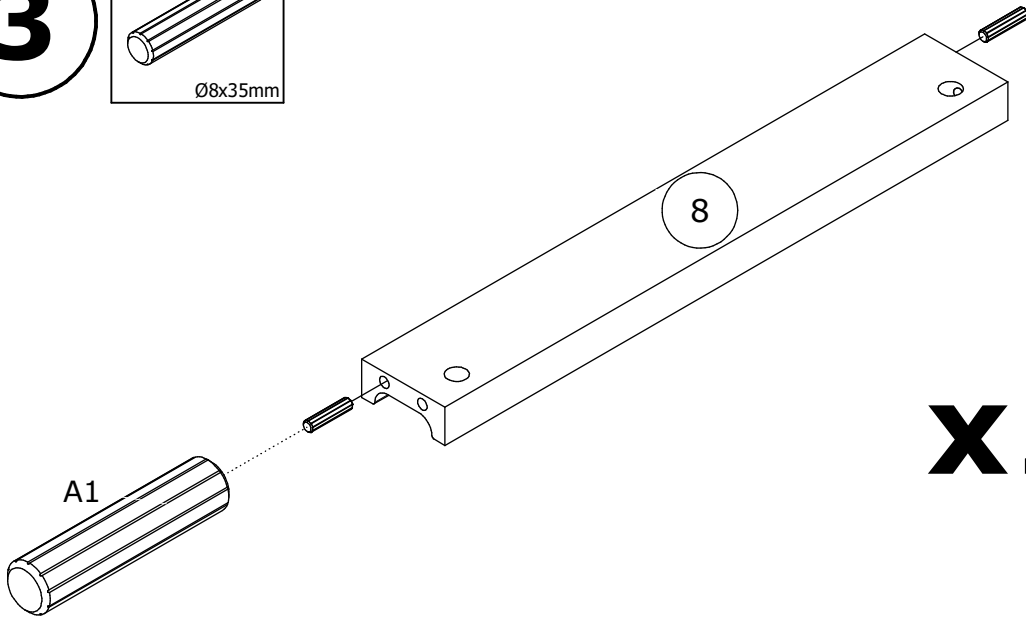
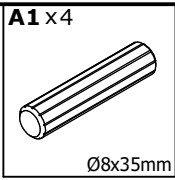
1



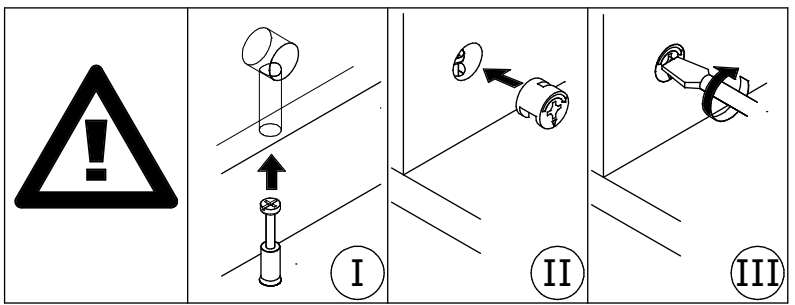
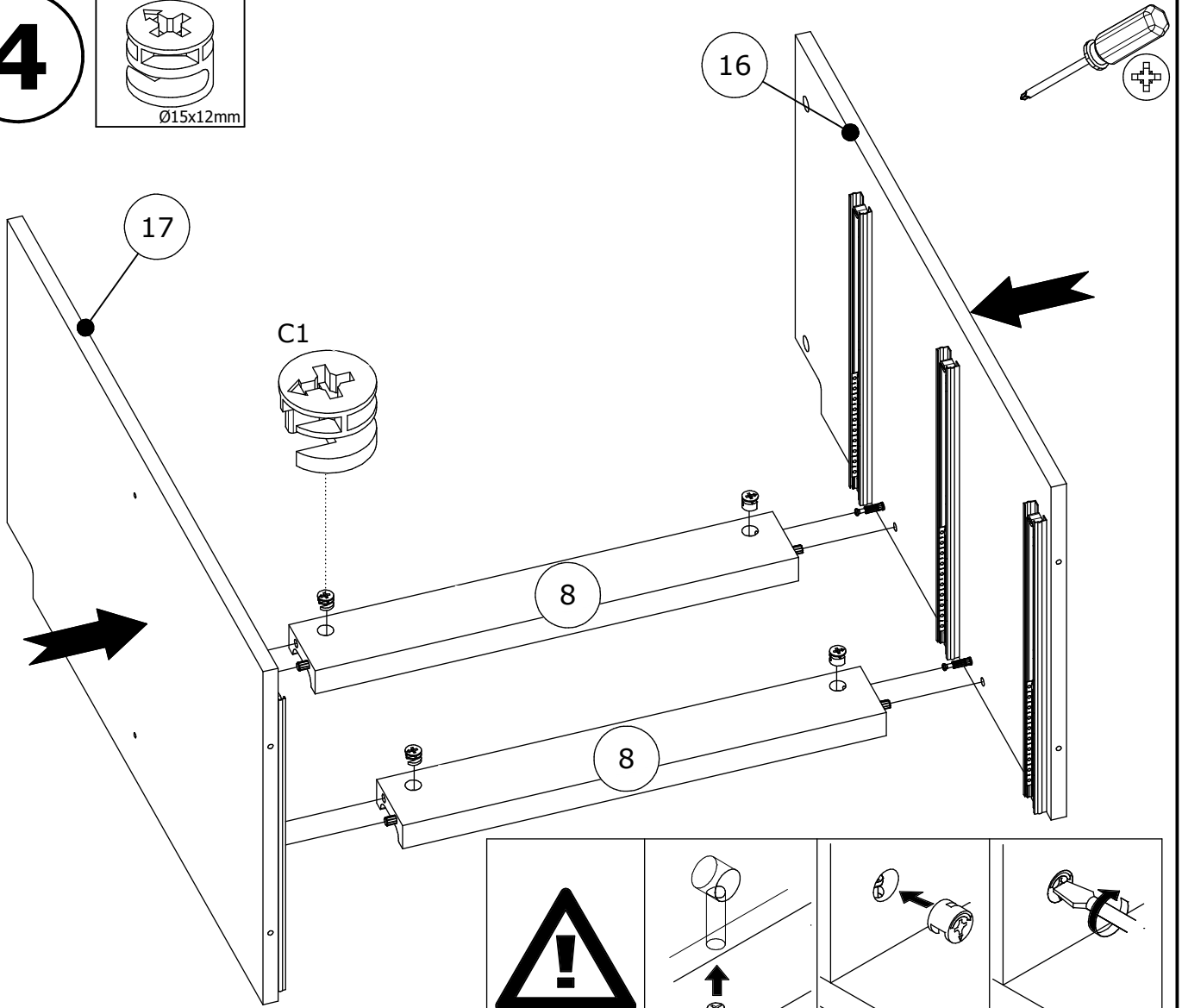
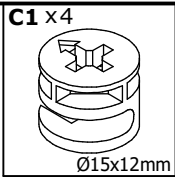
2



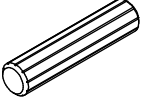
3

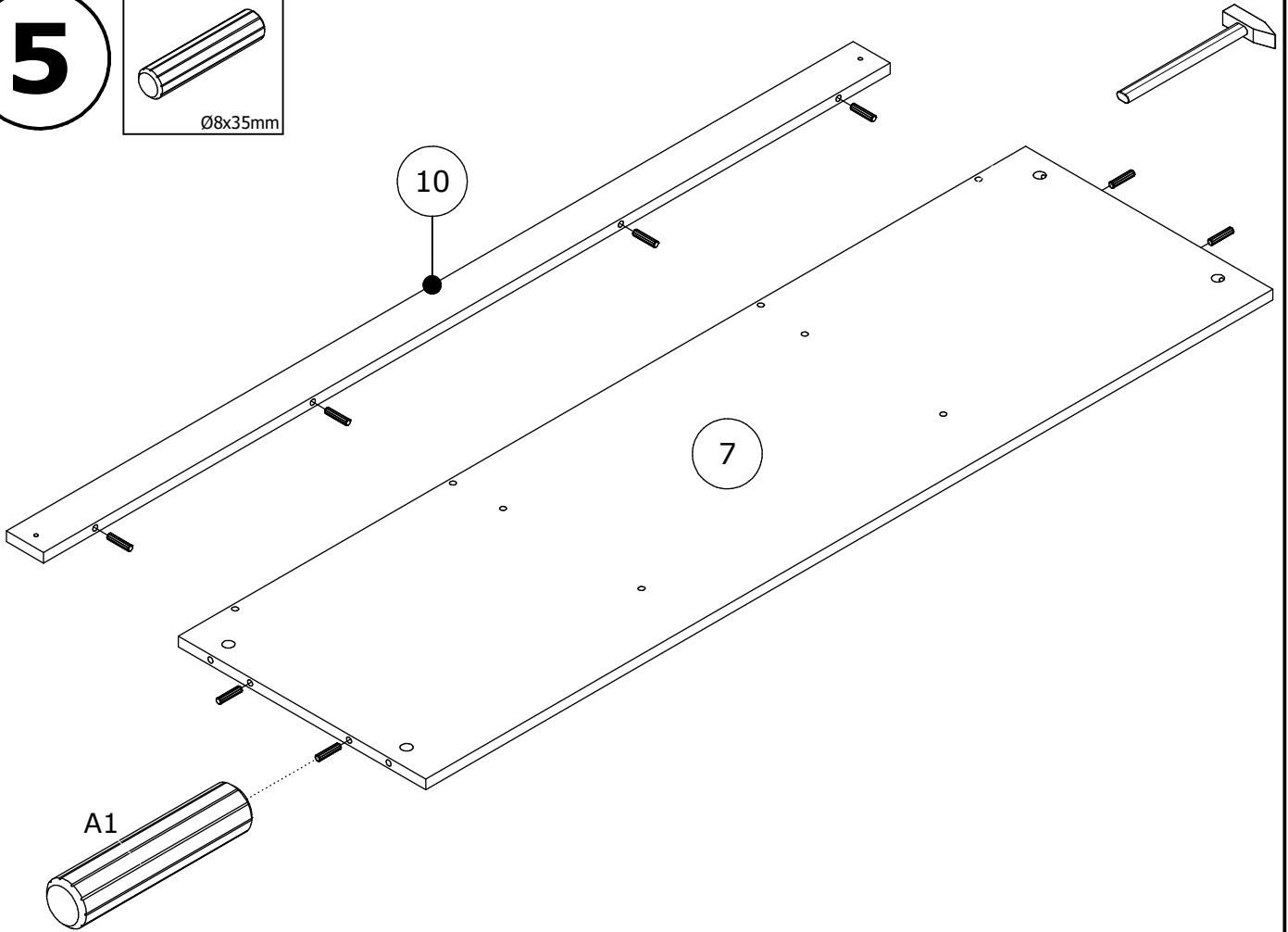


4

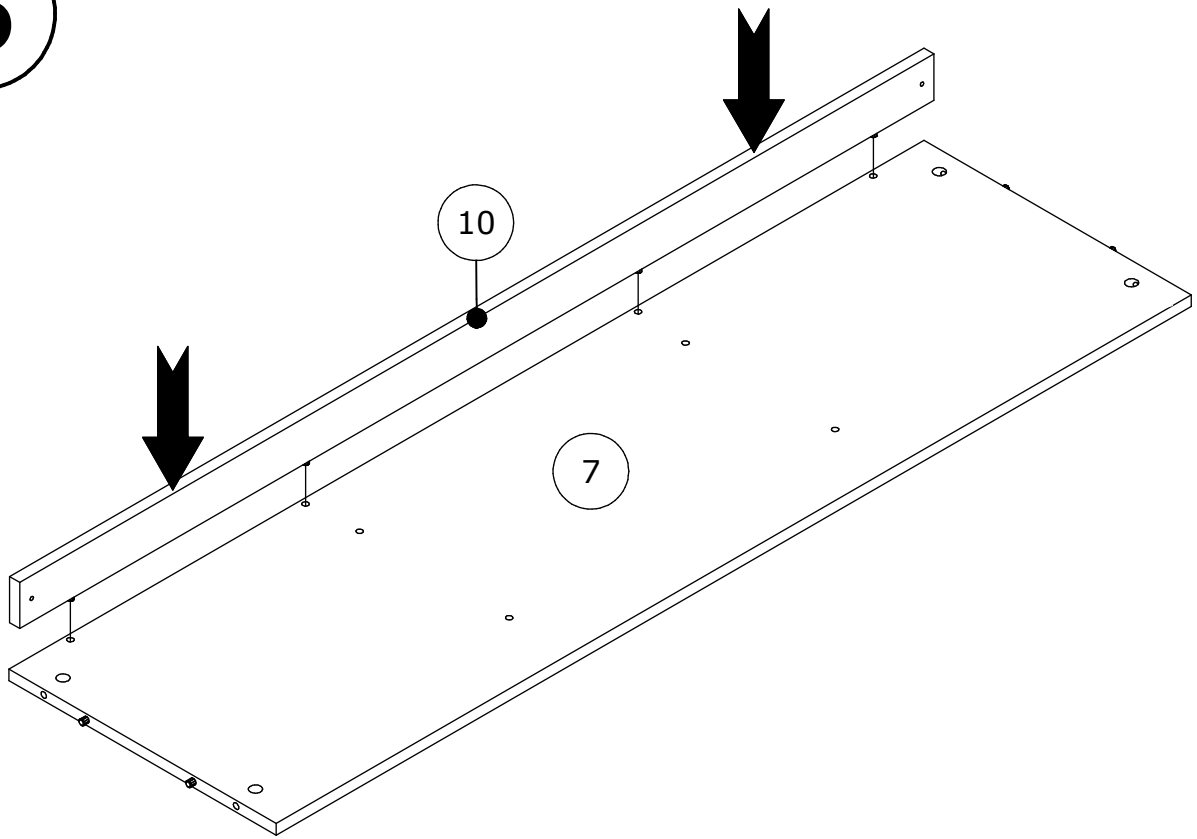


5

A1 x 8

Ø8x35mm

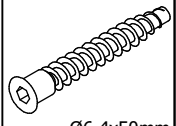


6



7

K1 x4

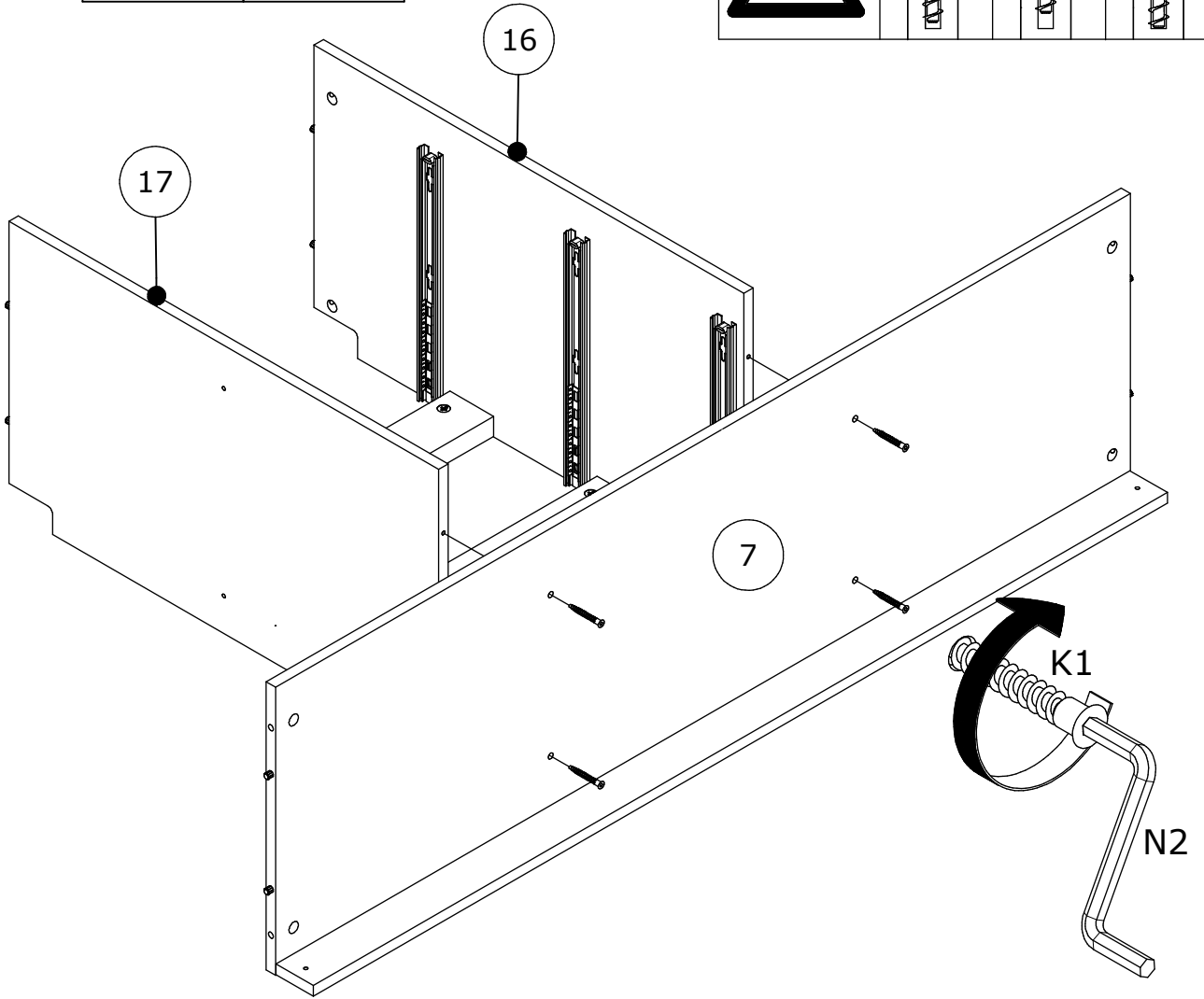
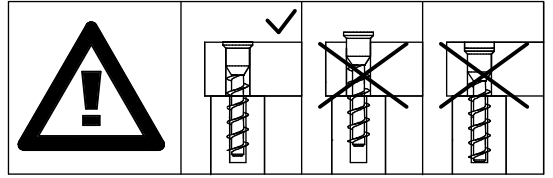


Ø6,4x50mm

N2 x1

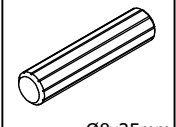


4mm HEX

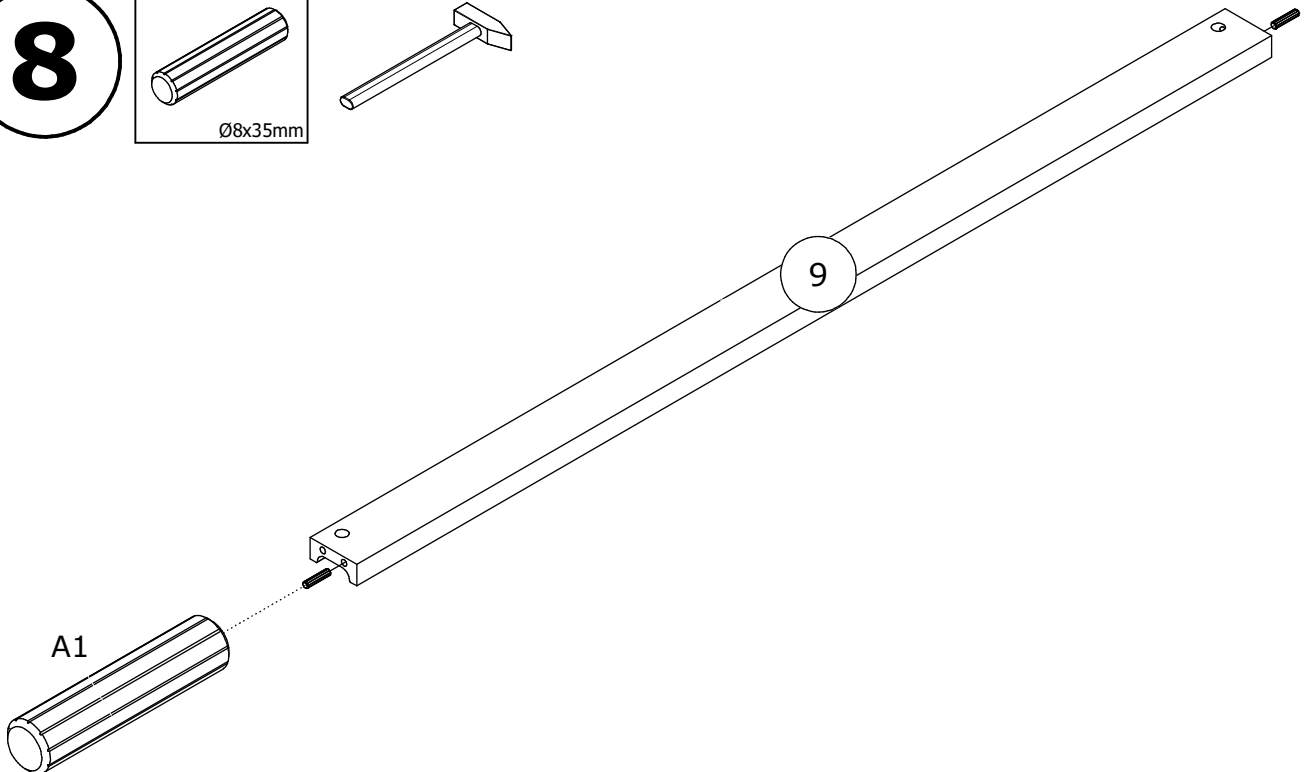
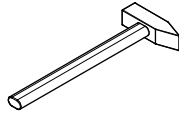


8

A1 x2

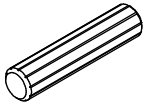


Ø8x35mm



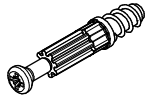
9

A1 x 8

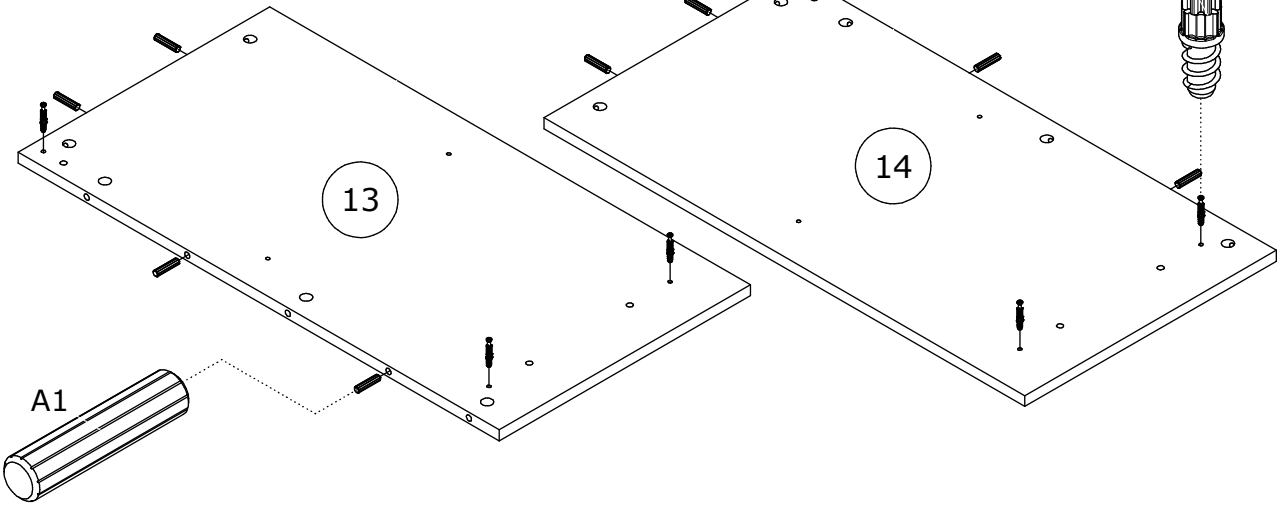
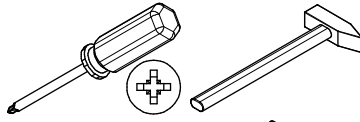


Ø8x35mm

B1 x 6

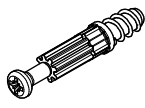


Ø5x38mm



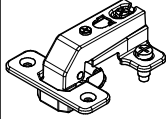
10

B1 x 6

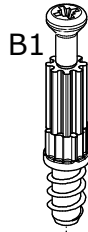


Ø5x38mm

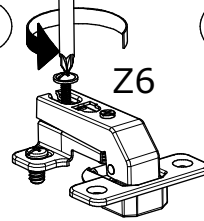
Z6 x 4



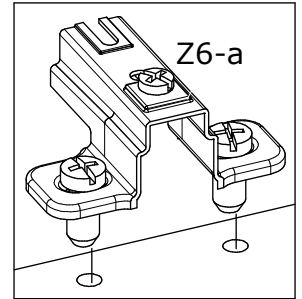
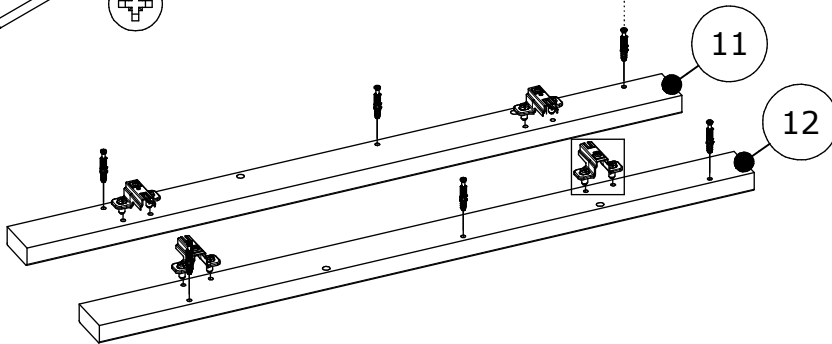
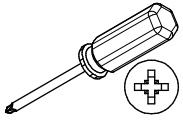
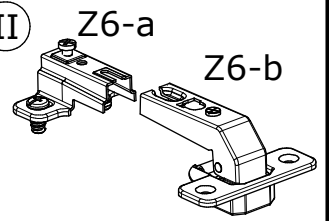
Ø35mm, 90°



I

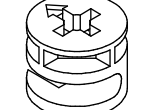


II

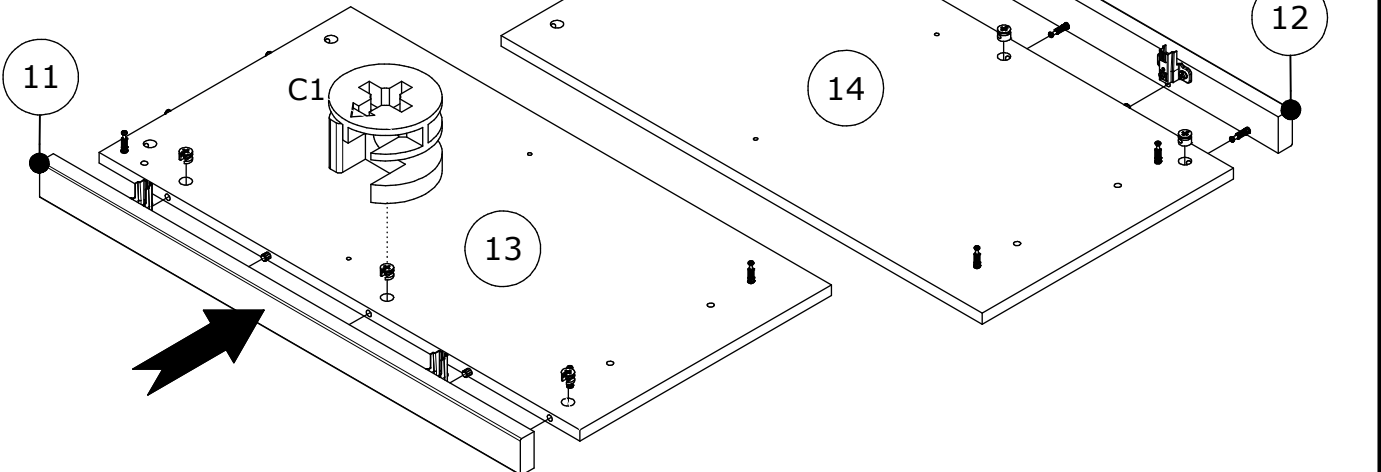


11

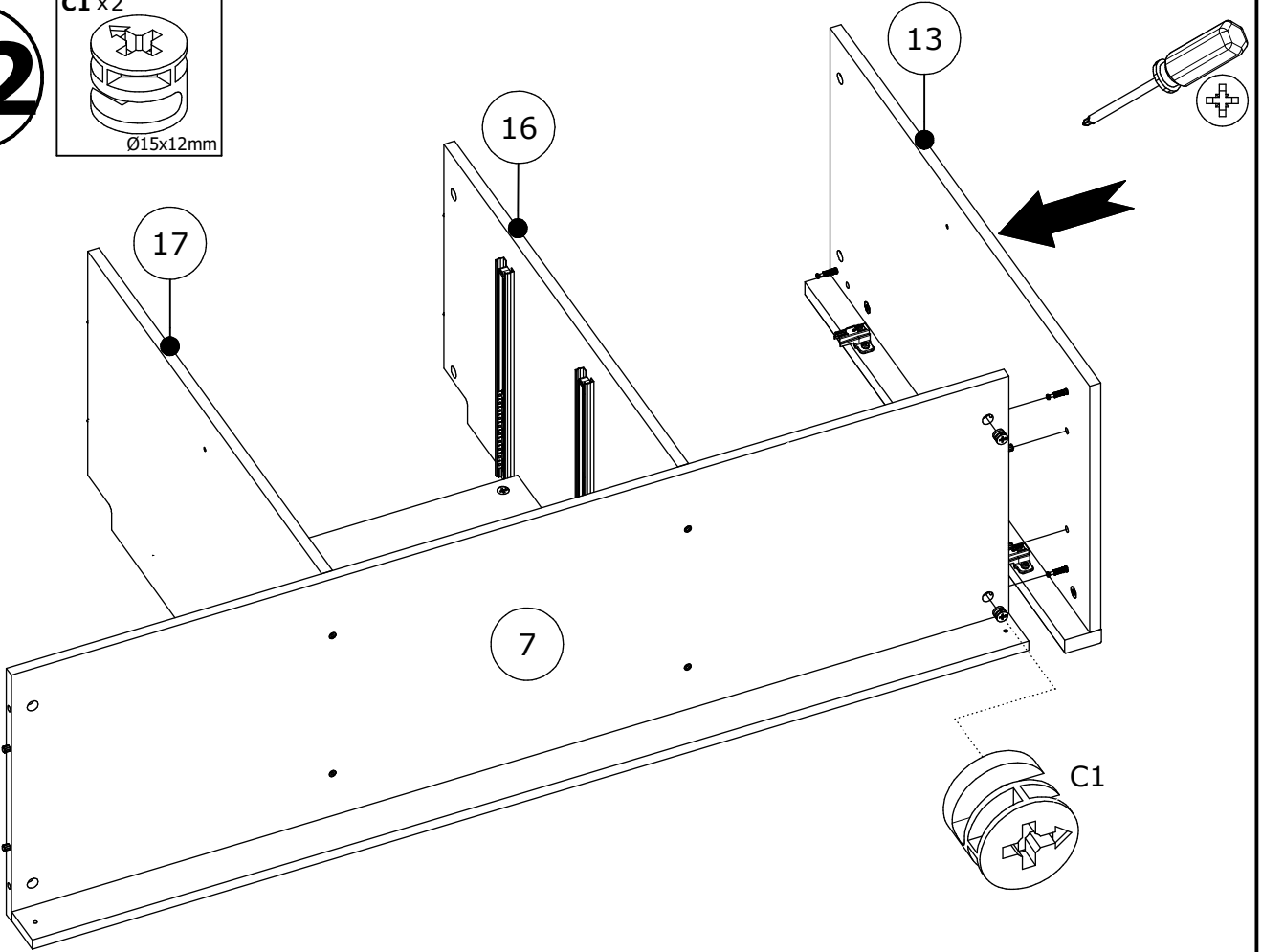
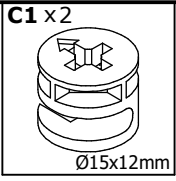
C1 x 6



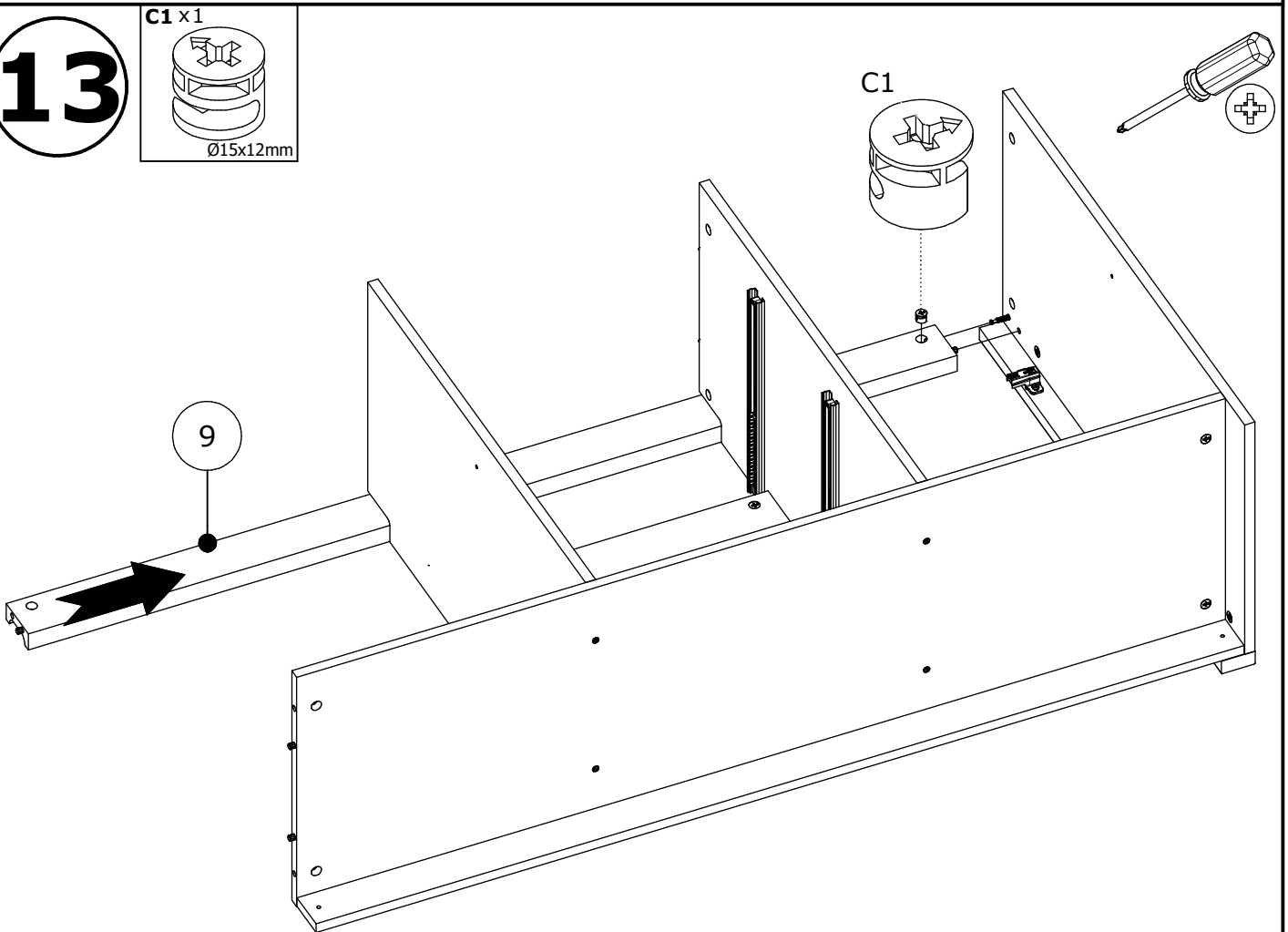
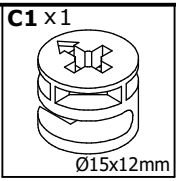
Ø15x12mm



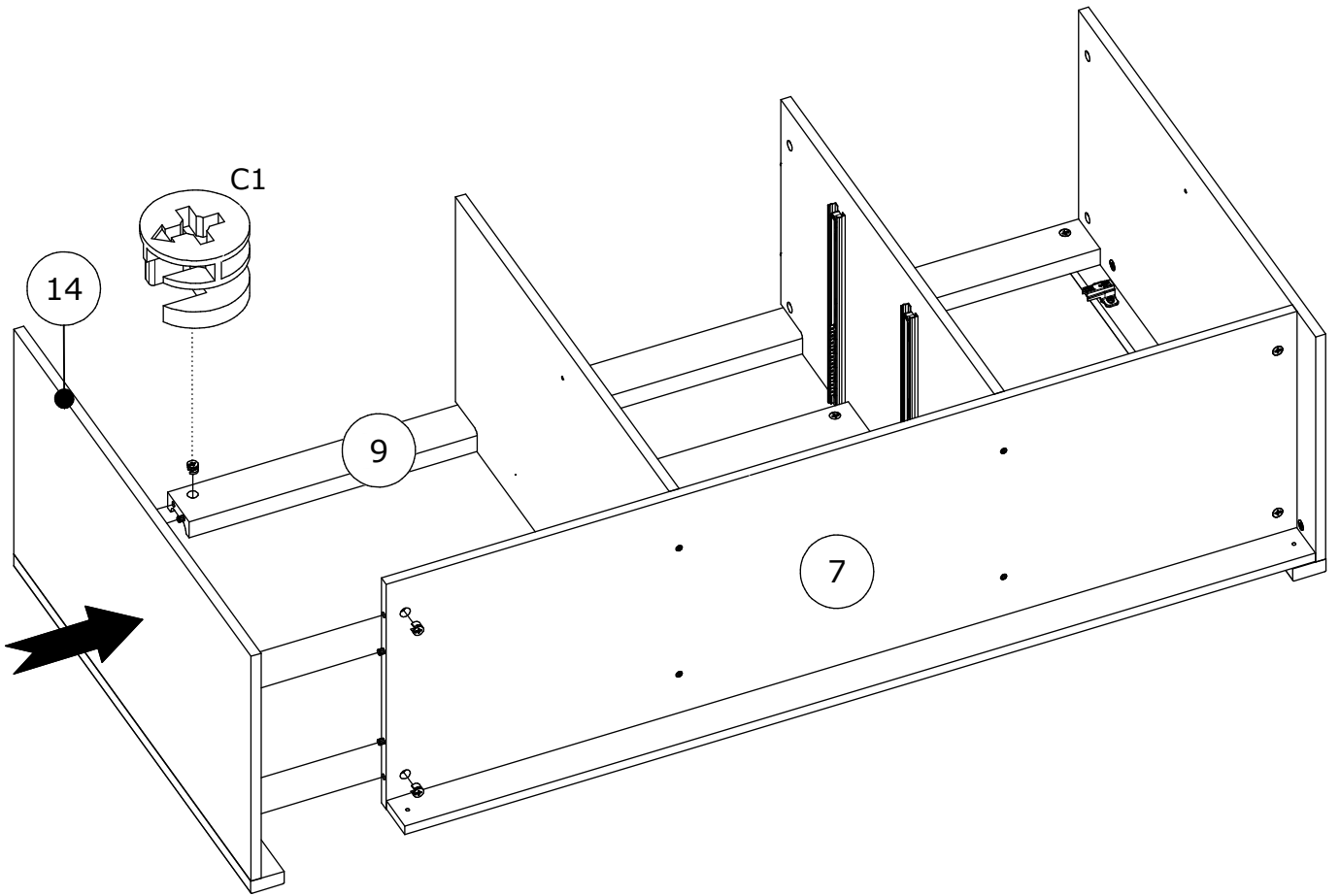
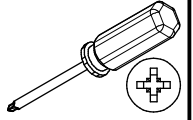
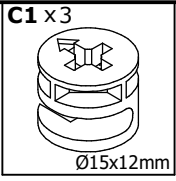
12



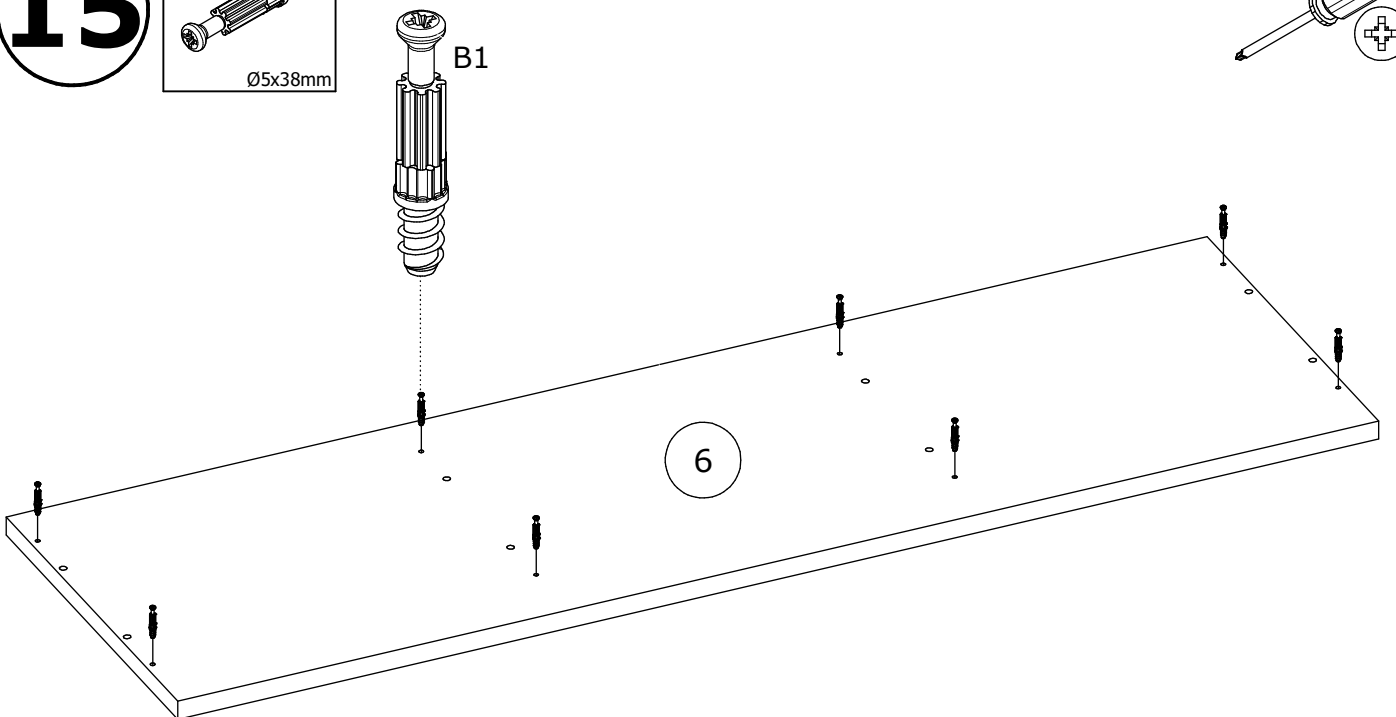
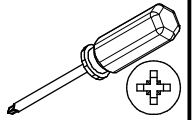
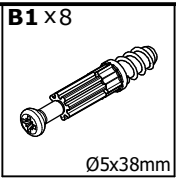
13



14

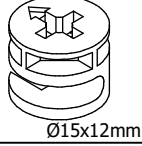


15



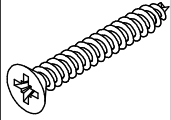
16

C1 x8

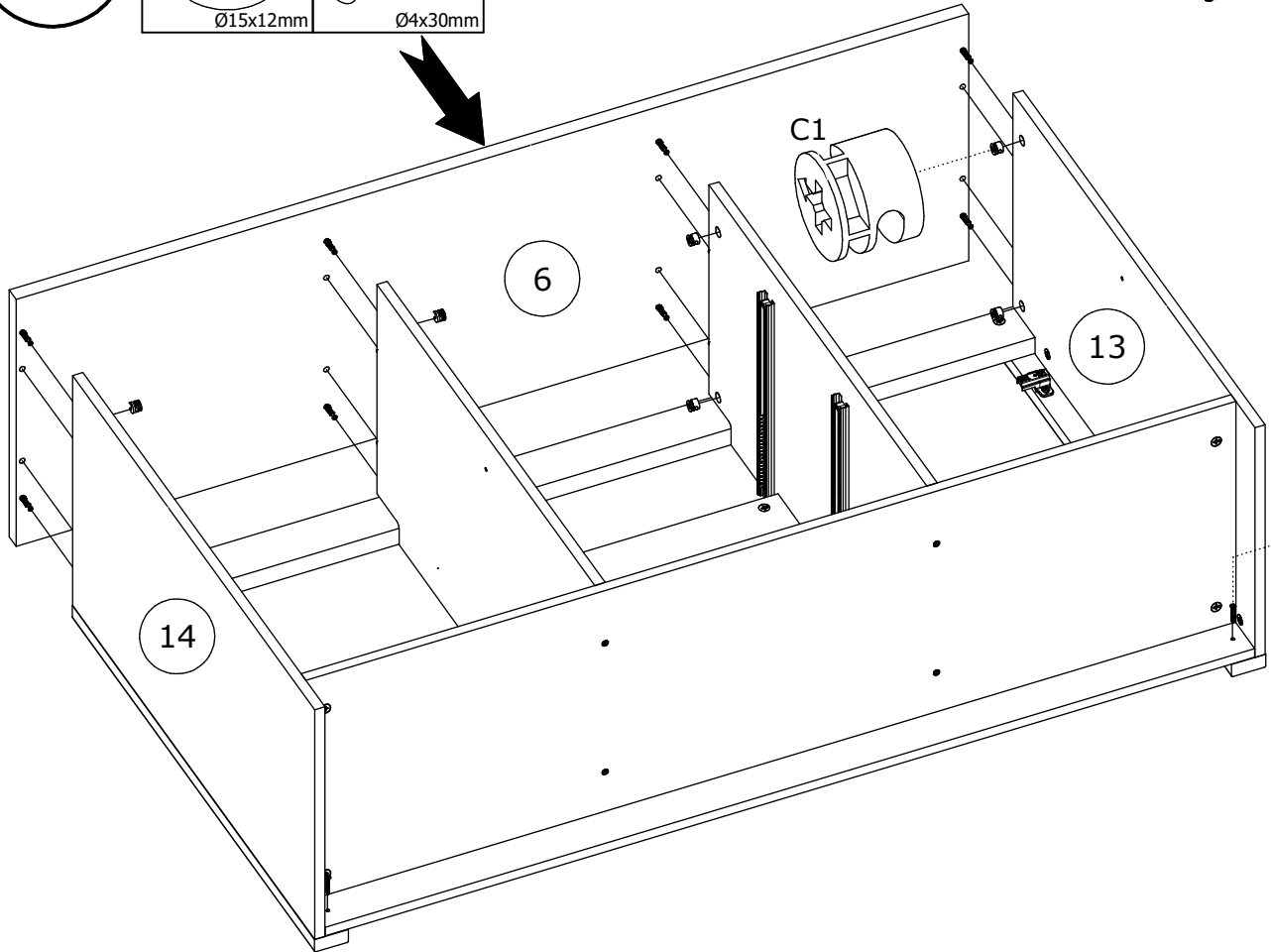
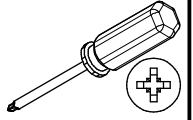


Ø15x12mm

W5 x2

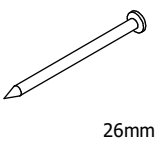


Ø4x30mm



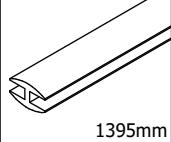
17

G1 x32

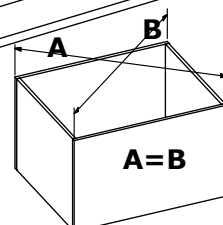
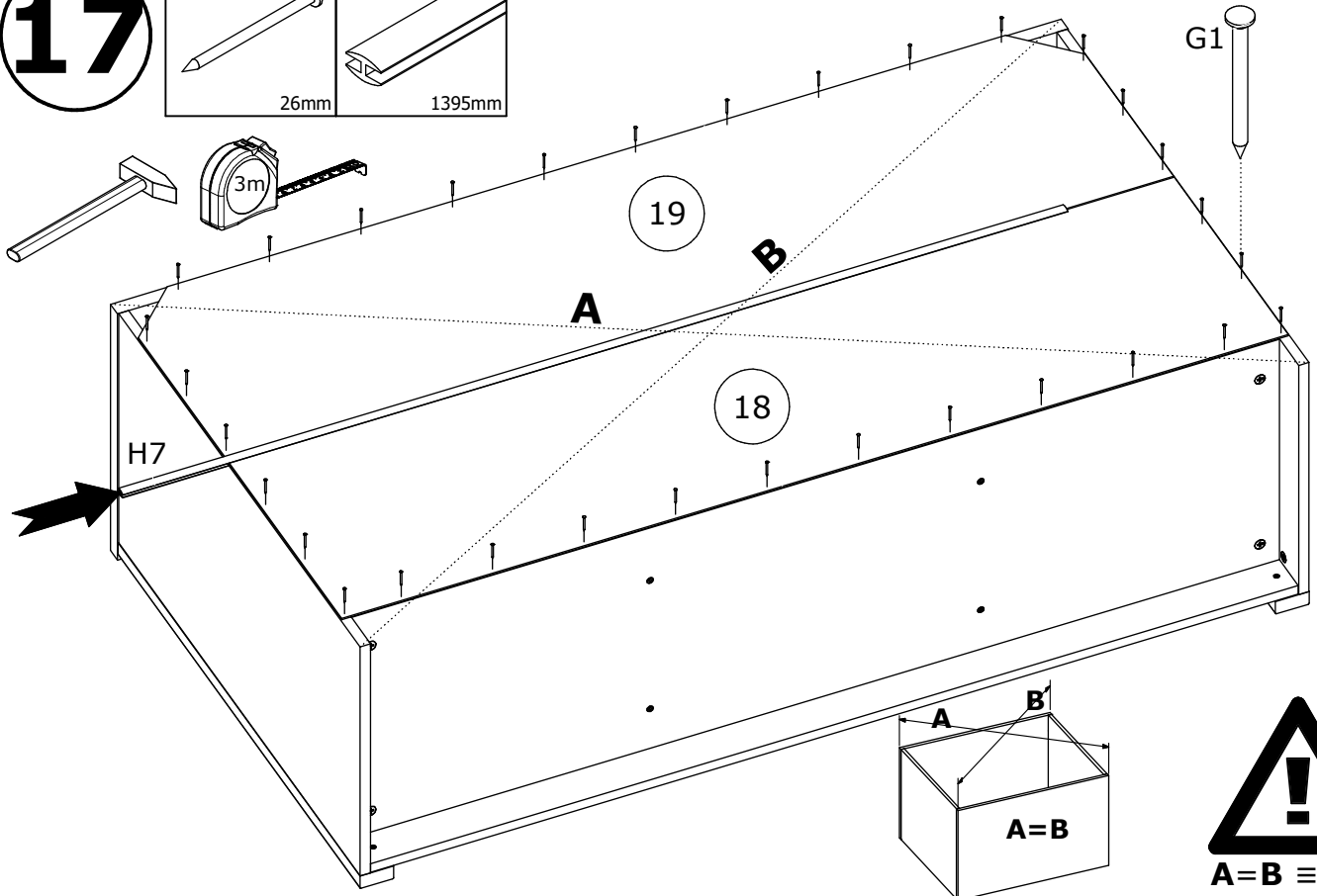
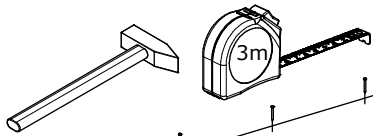


26mm

H7 x1



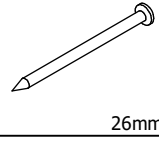
1395mm



A=B ≡ 90°

18

G1x12



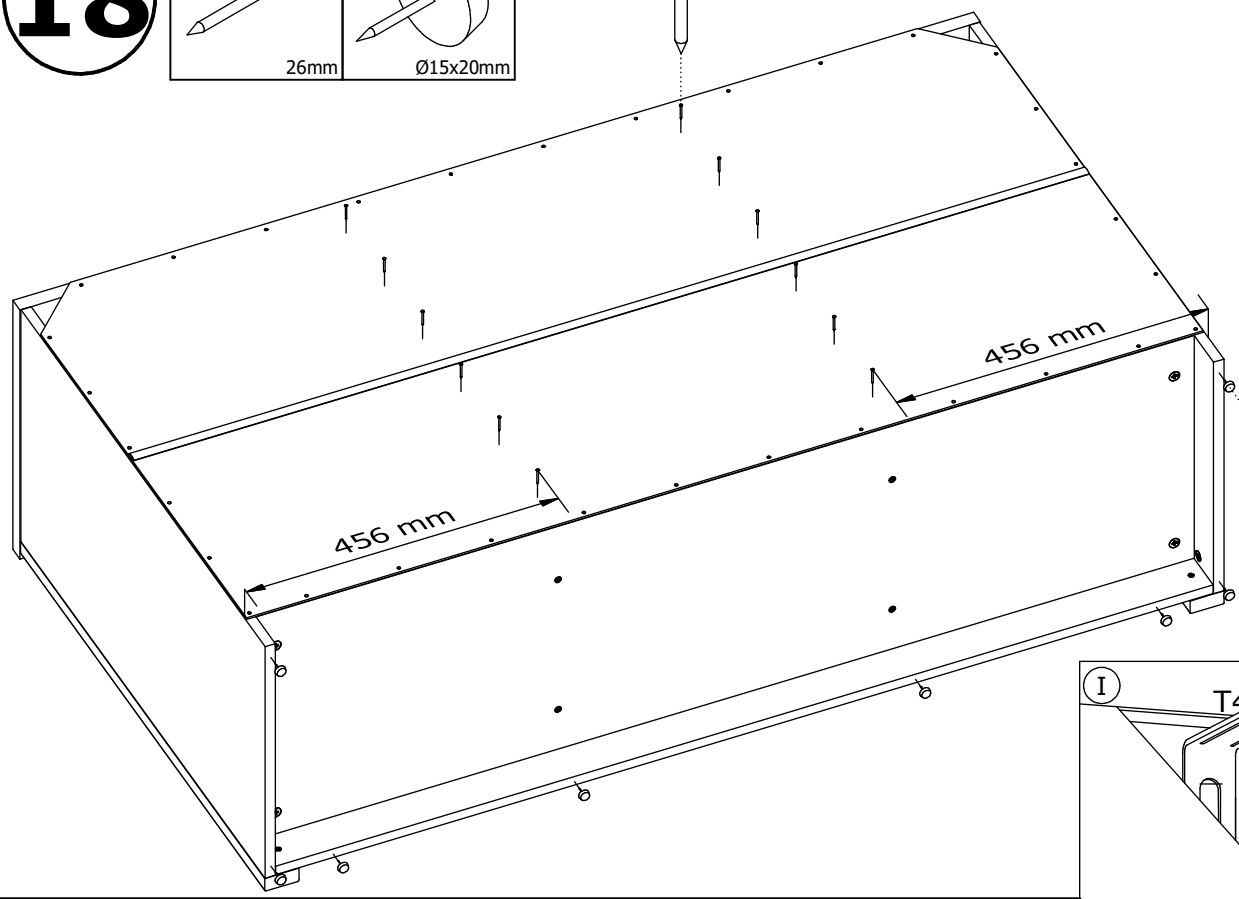
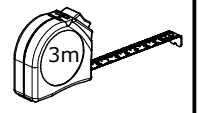
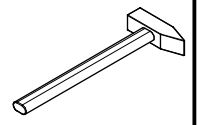
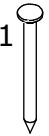
26mm

Y5x8



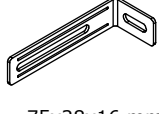
Ø15x20mm

G1



19

T4x2

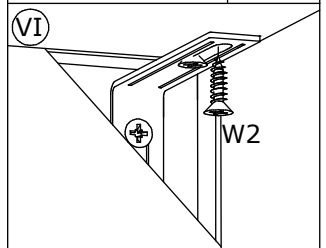
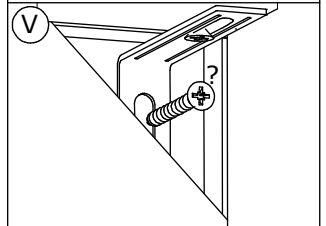
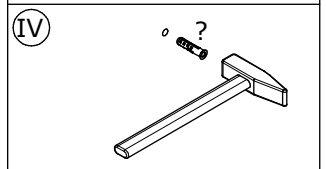
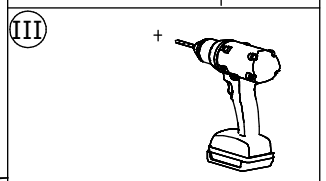
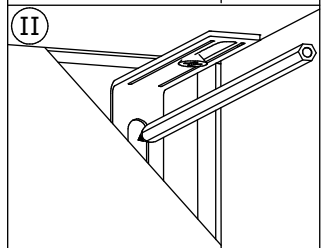
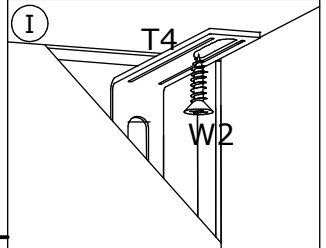
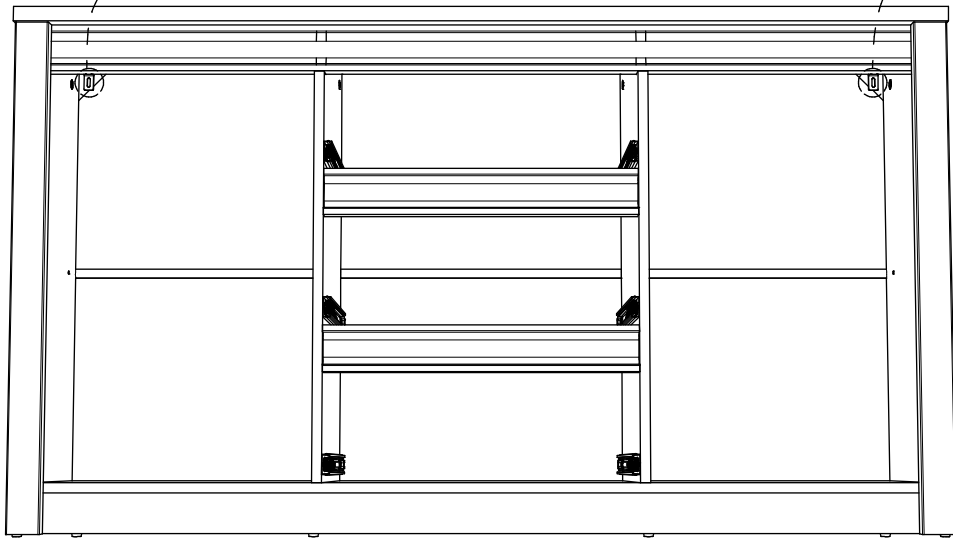
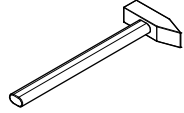
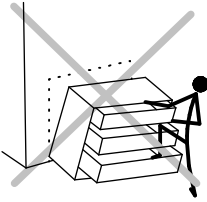
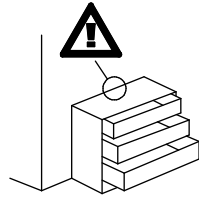
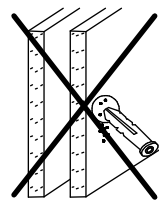
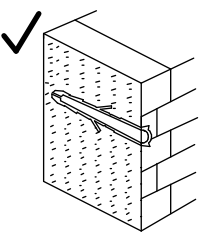
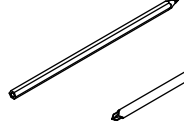
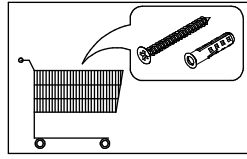


75x28x16 mm

W2x4

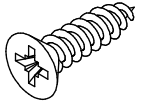


Ø3,5x16mm



20

W2x8



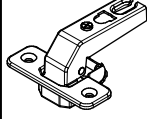
Ø3,5x16mm

Y1 x4

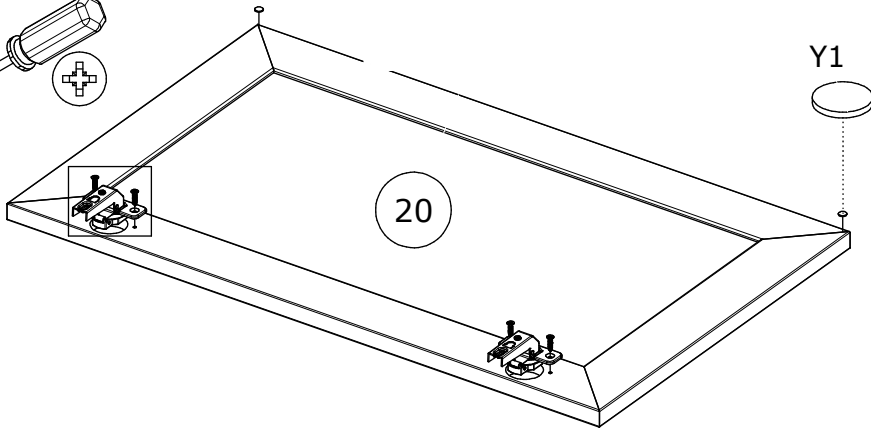
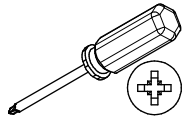
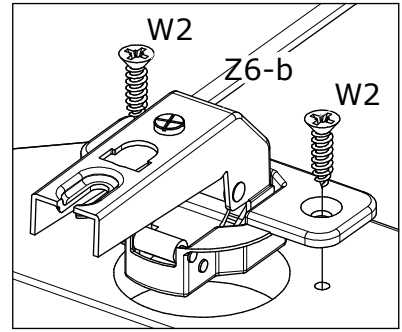


Ø8x1,5mm

Z6-bx4

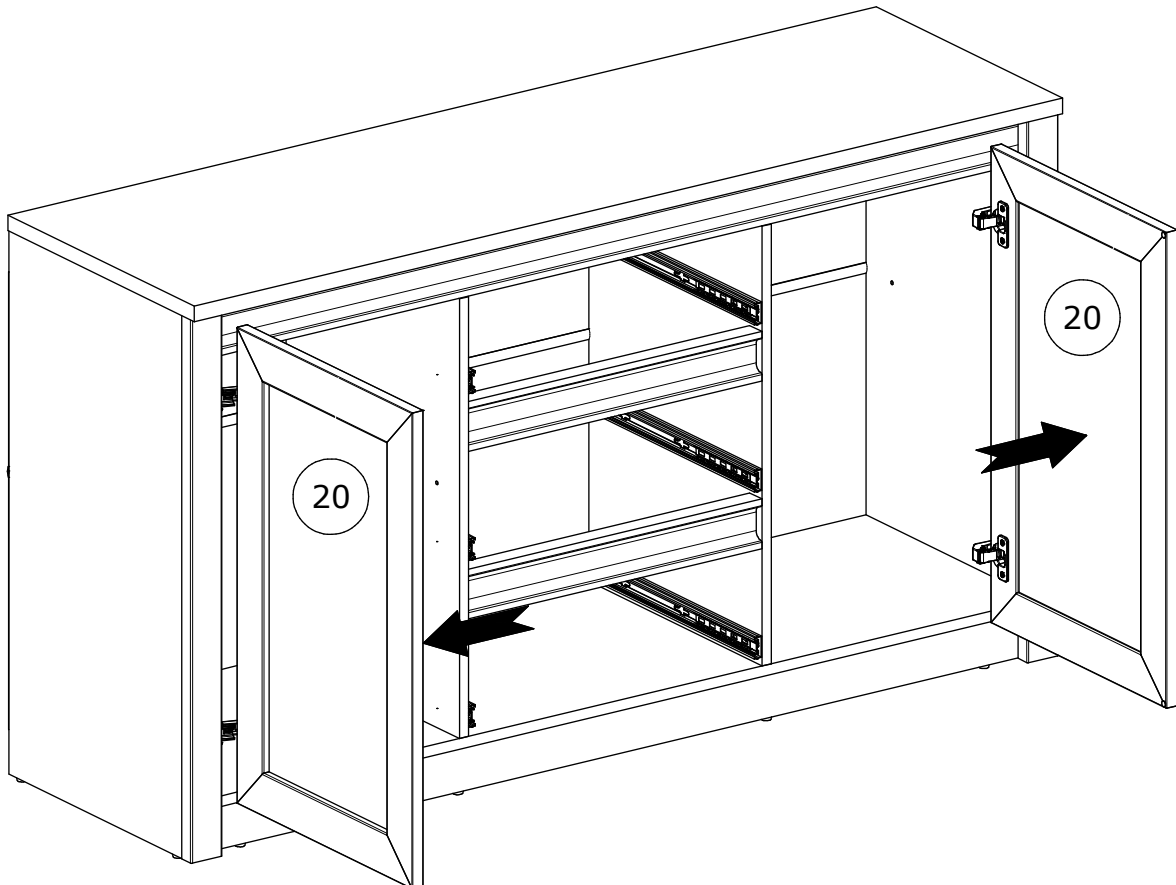
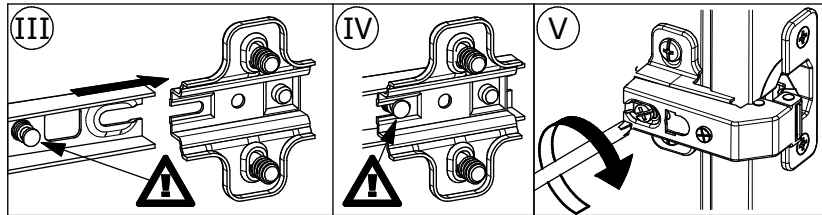
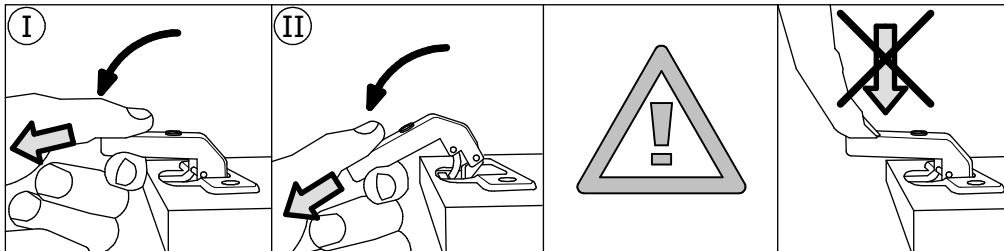
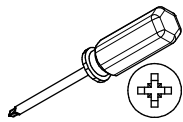


Ø35mm, 90°



x2

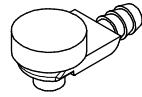
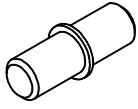
21



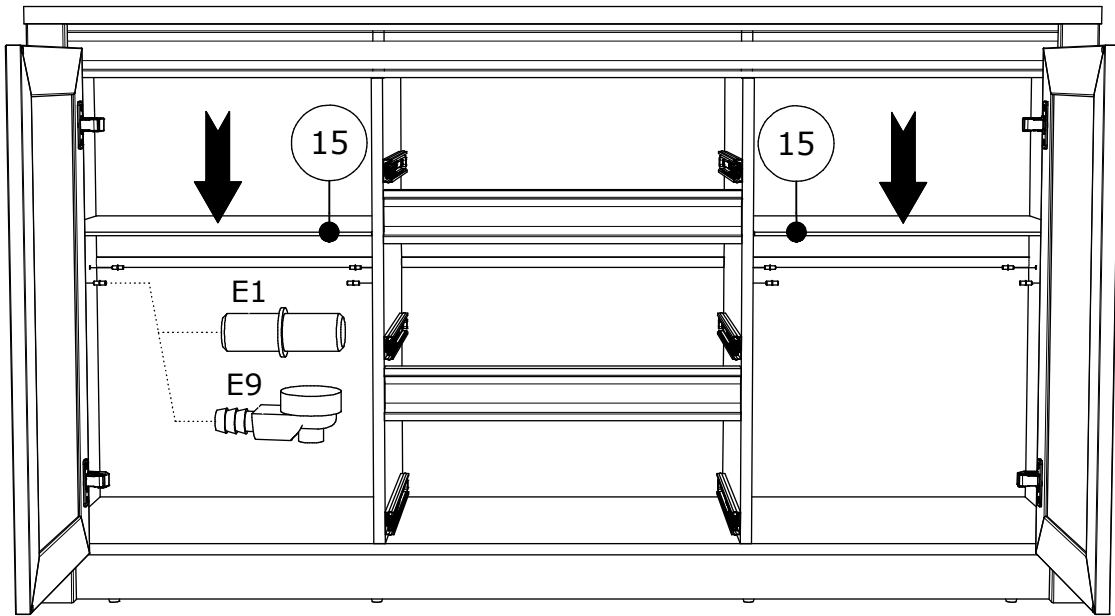
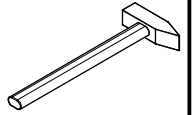
22

E1 x8 K2DP

E9 x8 K2D

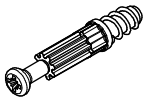


Ø5x16mm

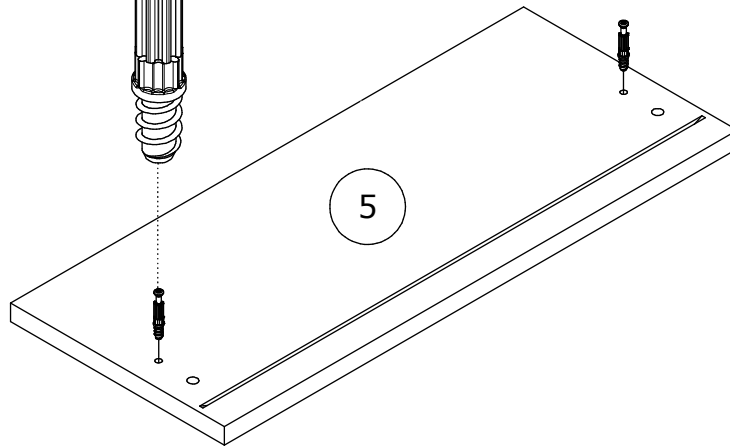
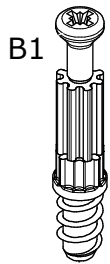


23

B1 x6



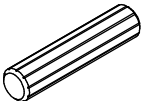
Ø5x38mm



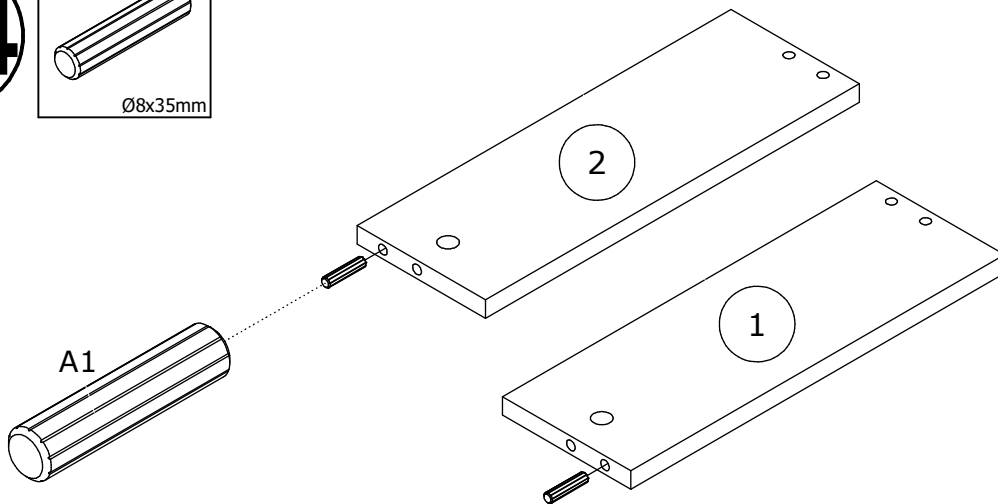
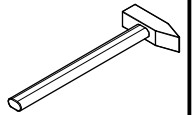
x3

24

A1 x6

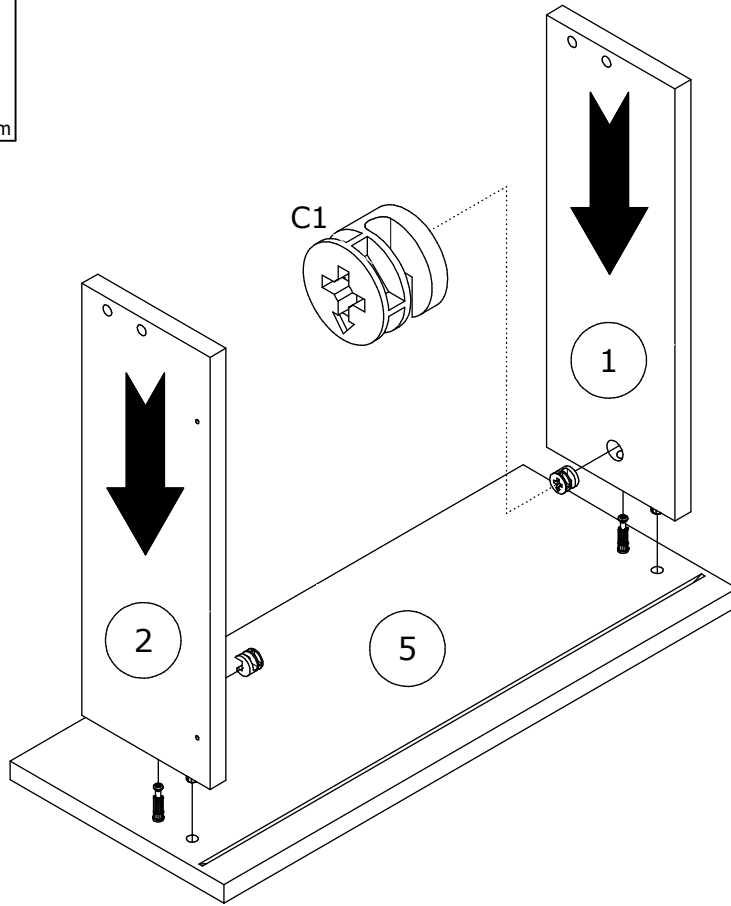
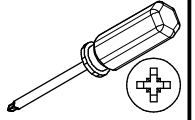
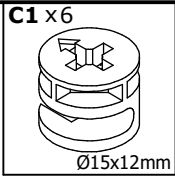


Ø8x35mm



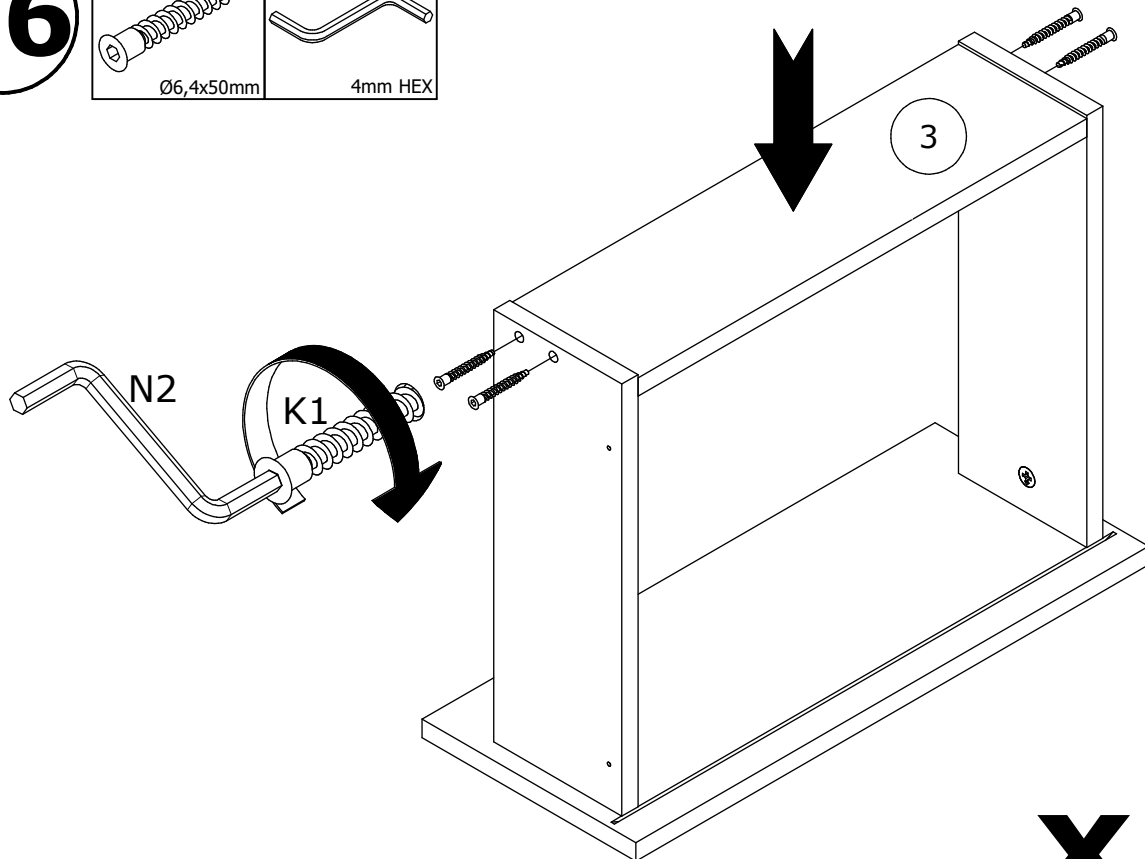
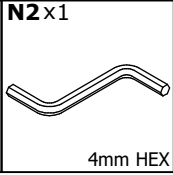
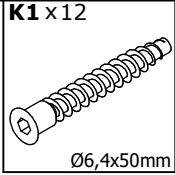
x3

25



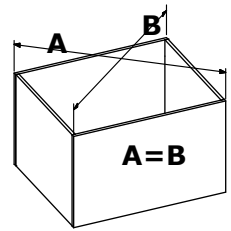
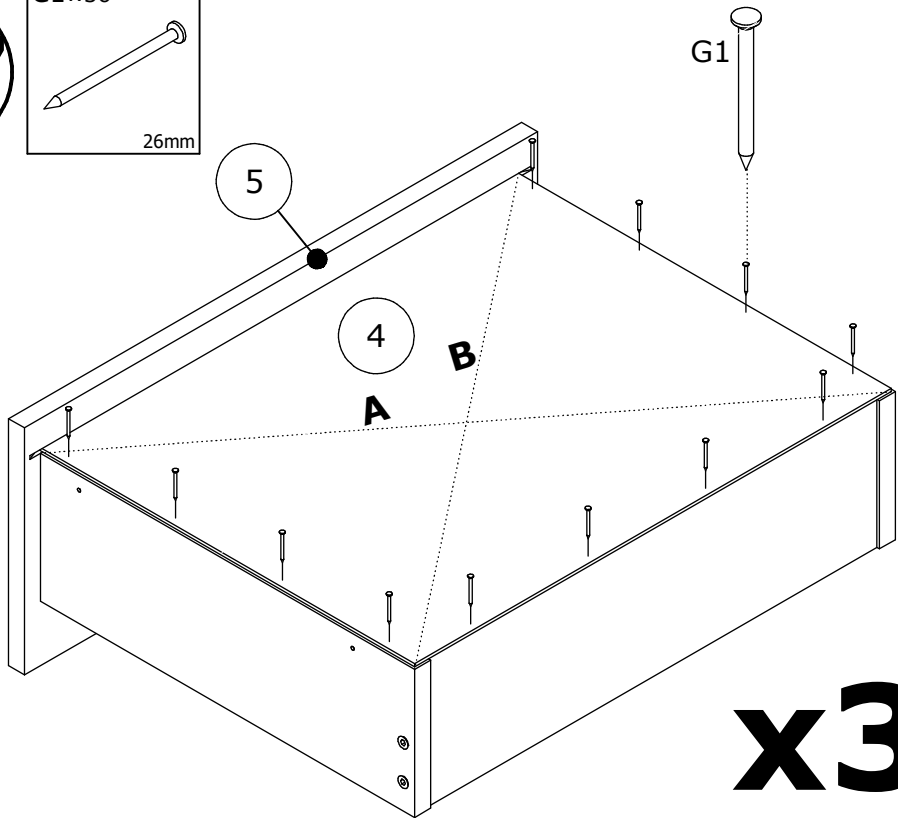
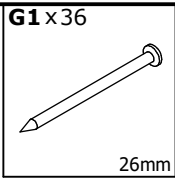
x3

26



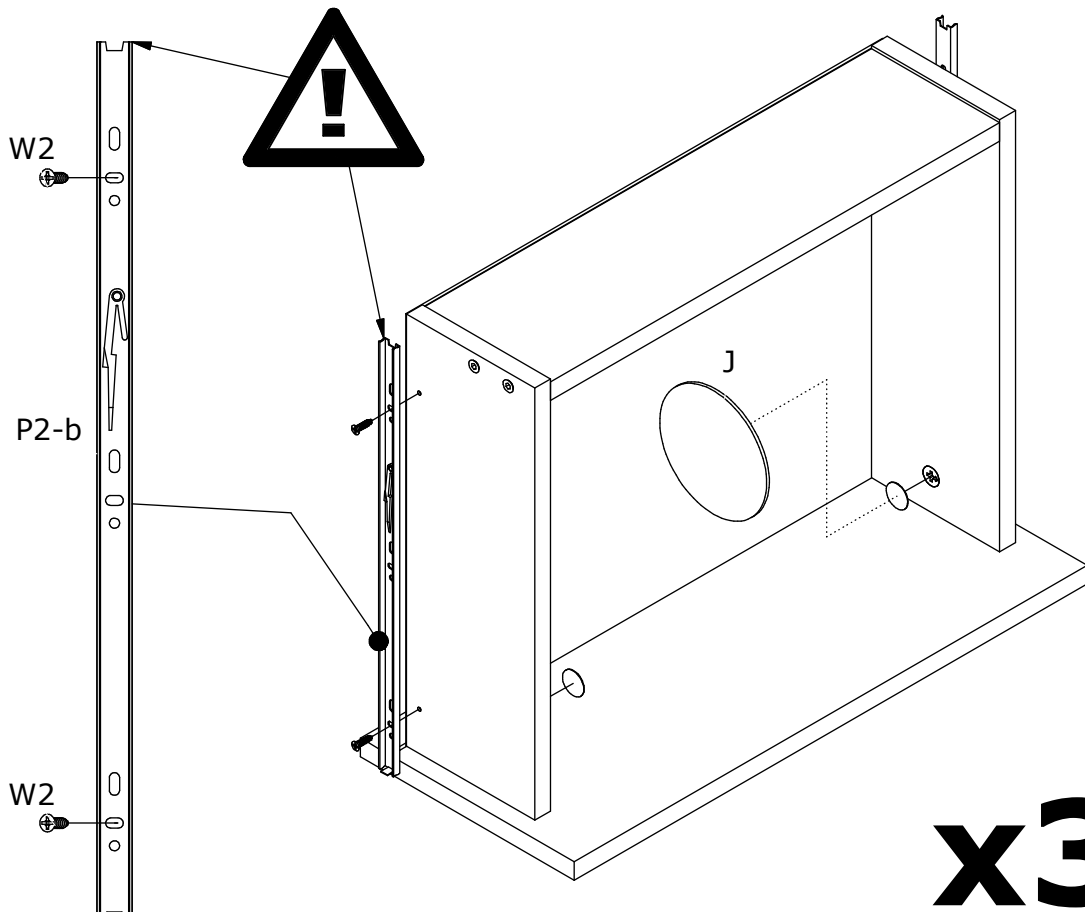
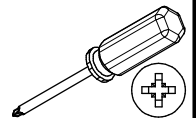
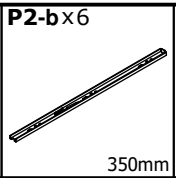
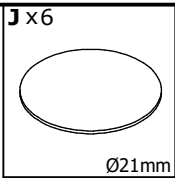
x3

27



x3

28



x3

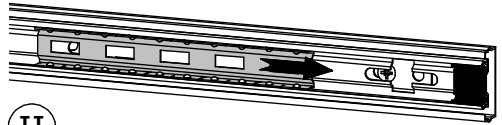
29

Y1 x6

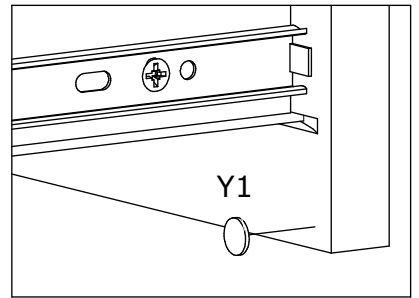
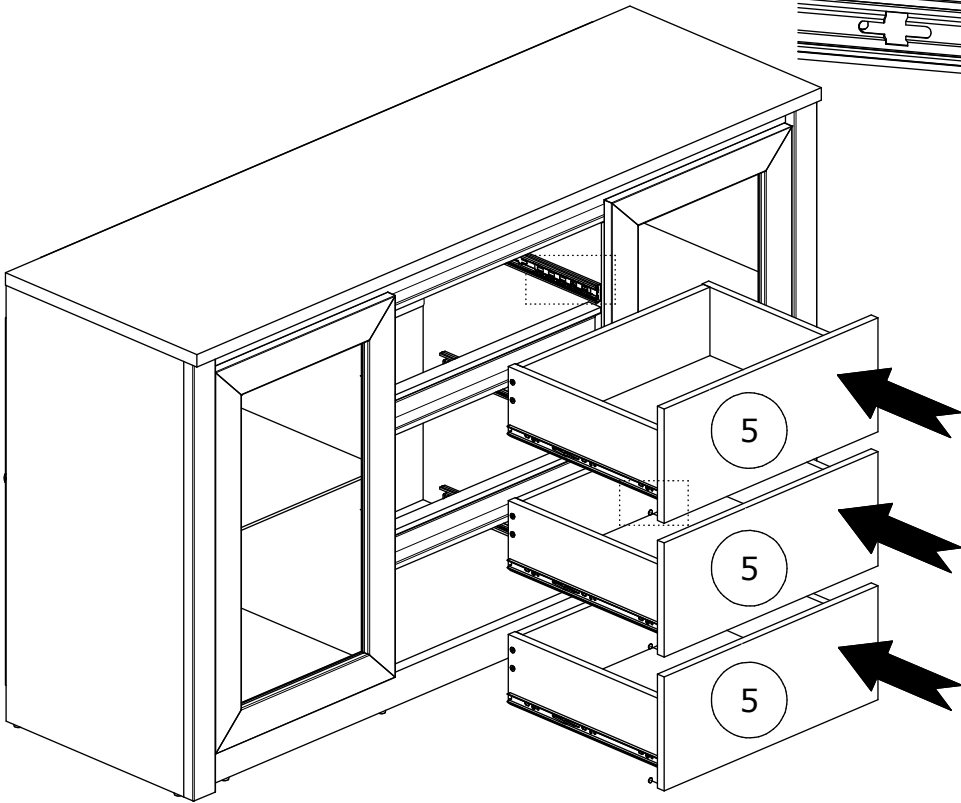
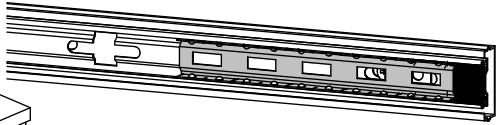


Ø8x1,5mm

I



II



30

J x8

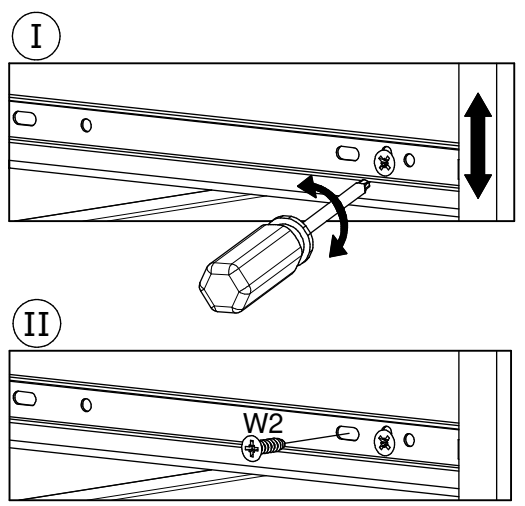
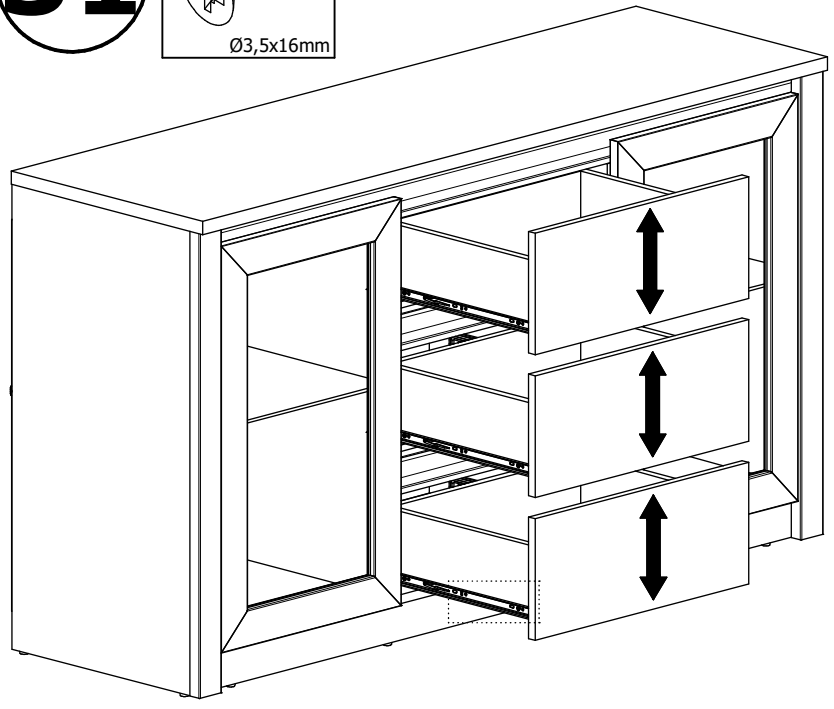
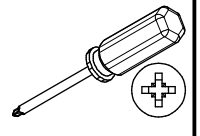


Ø21mm



31

W2x6
Ø3,5x16mm



32

