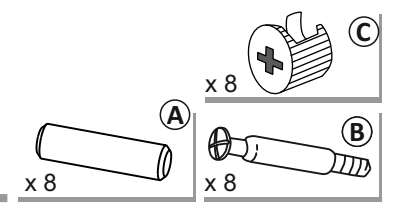
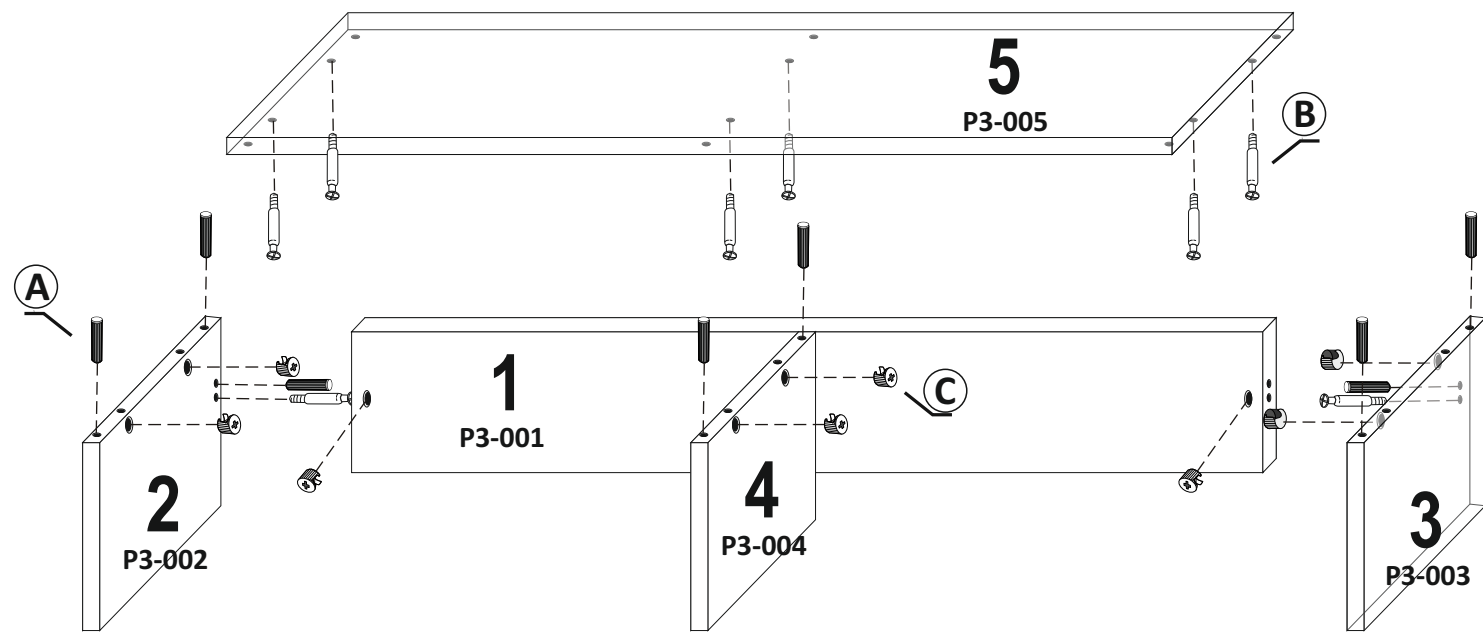
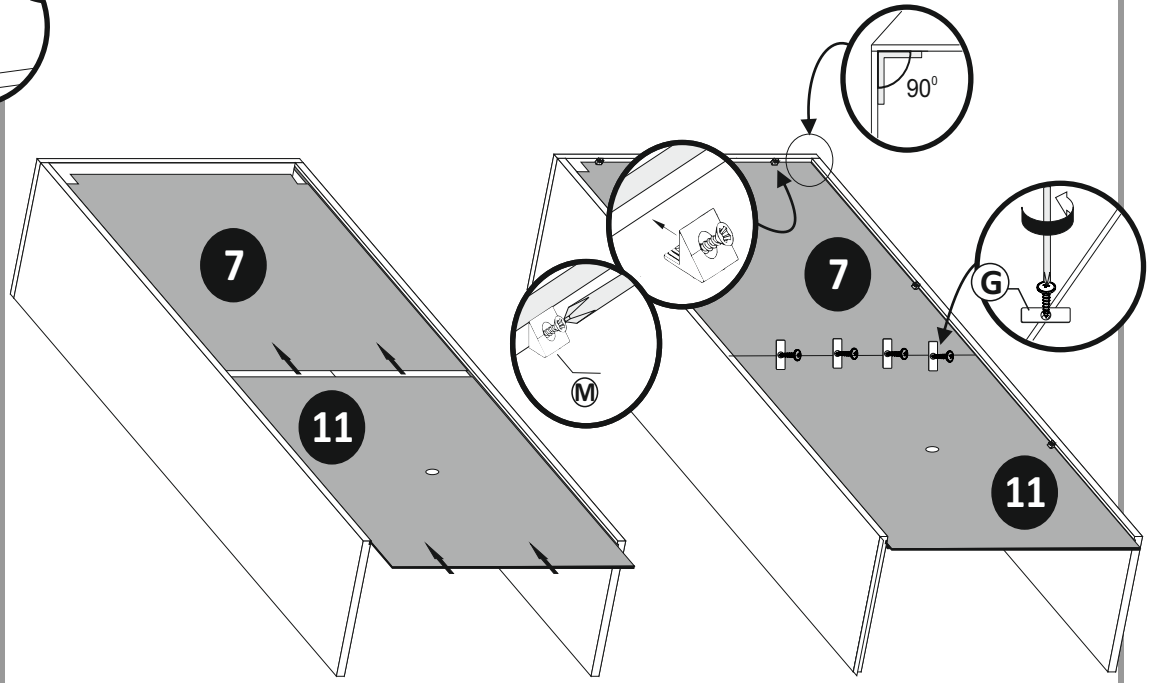
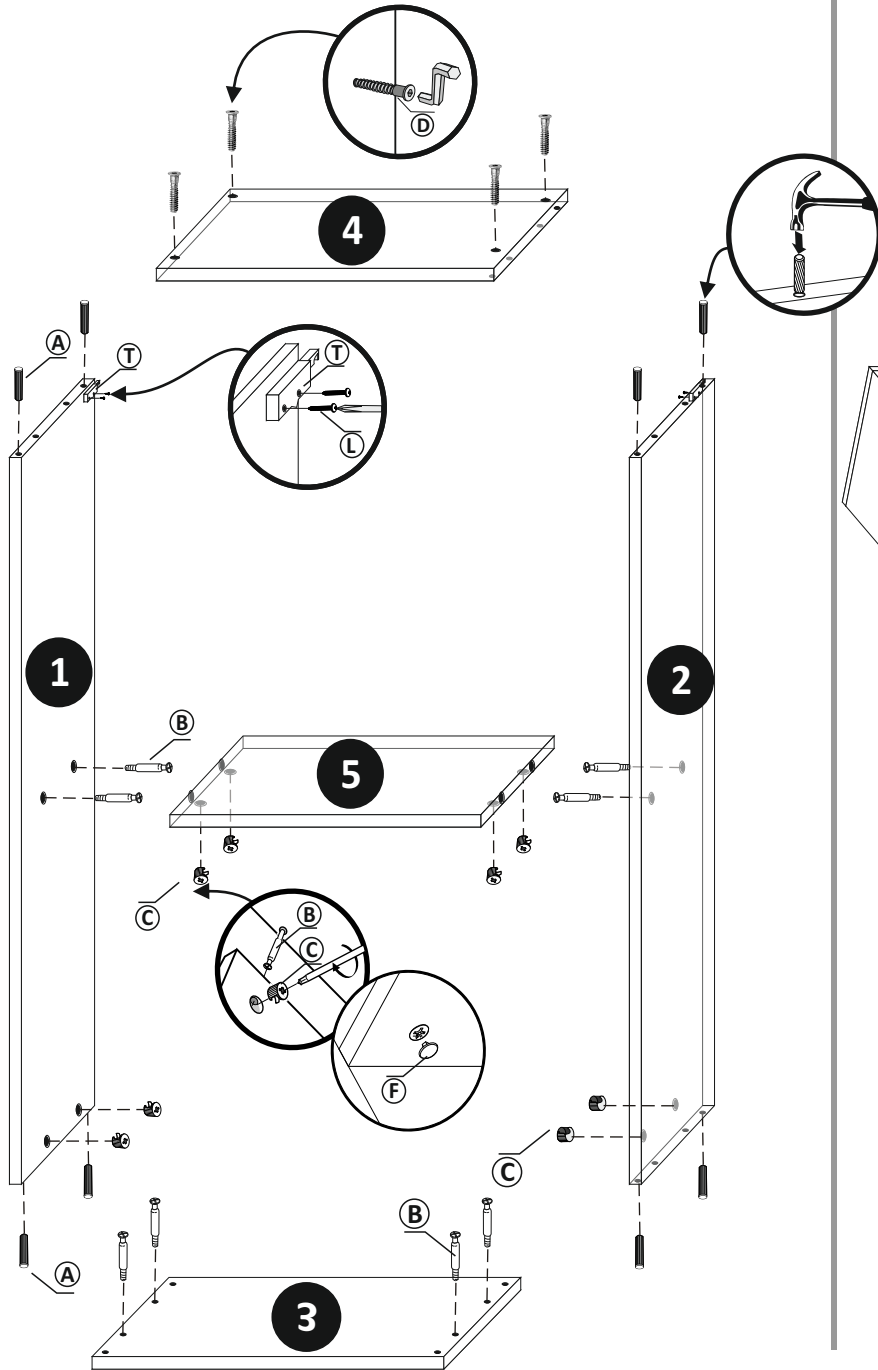
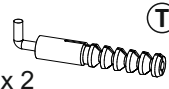



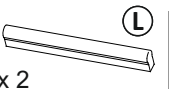
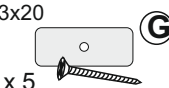
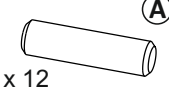
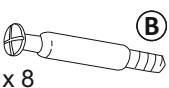

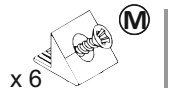

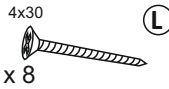
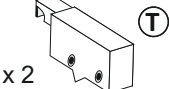
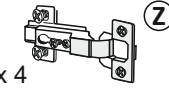
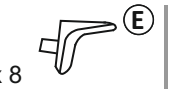
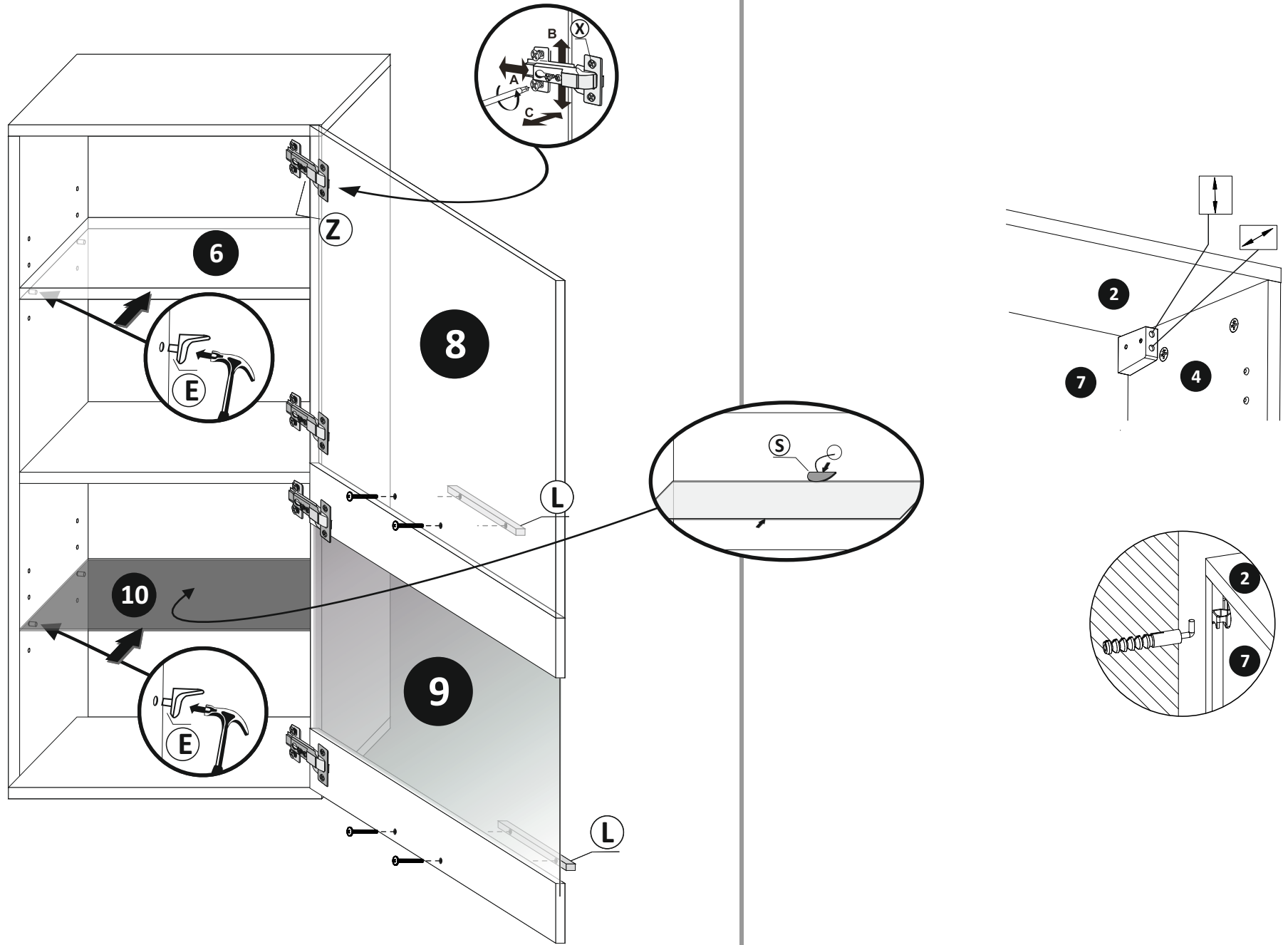


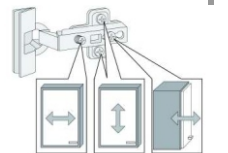
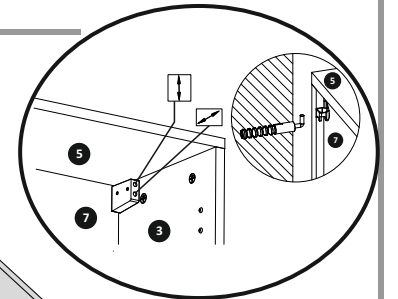
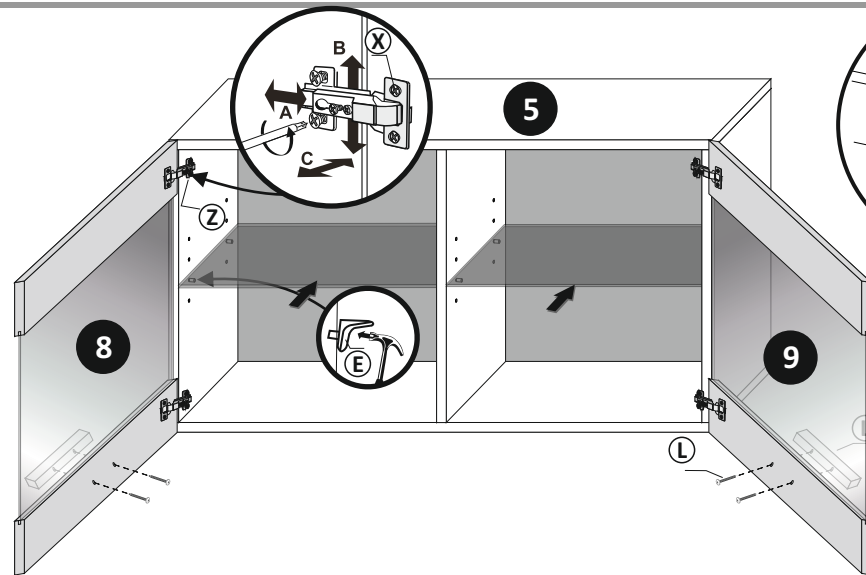
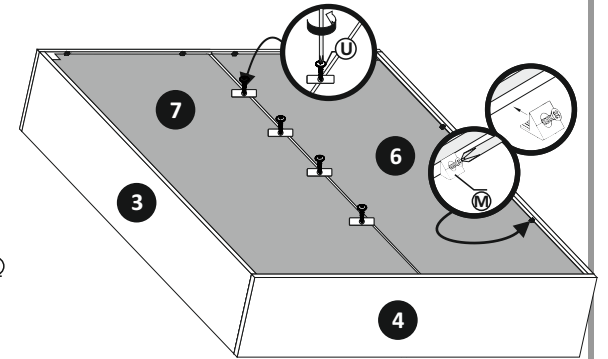
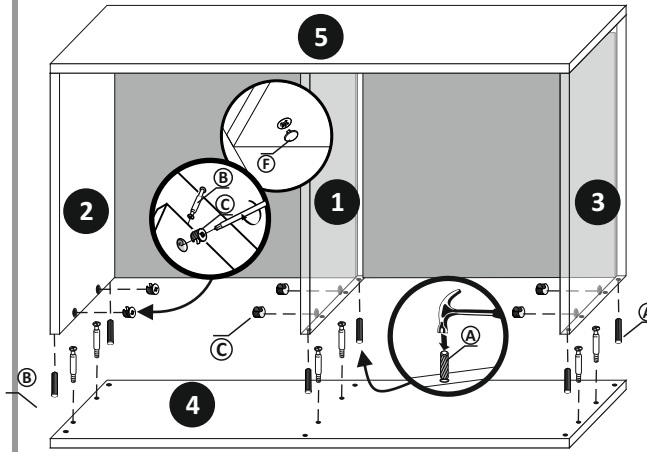
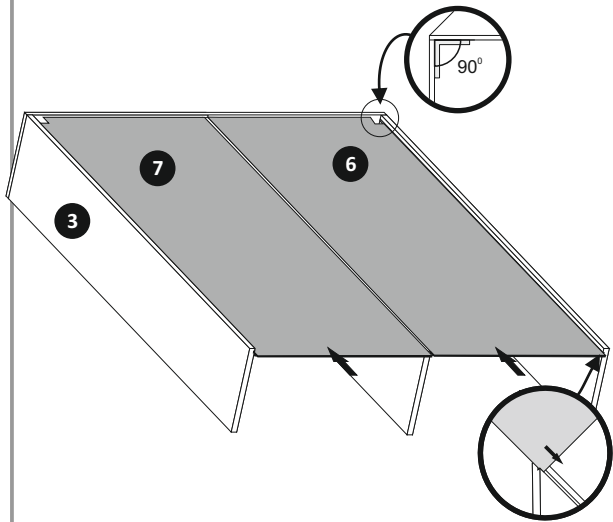
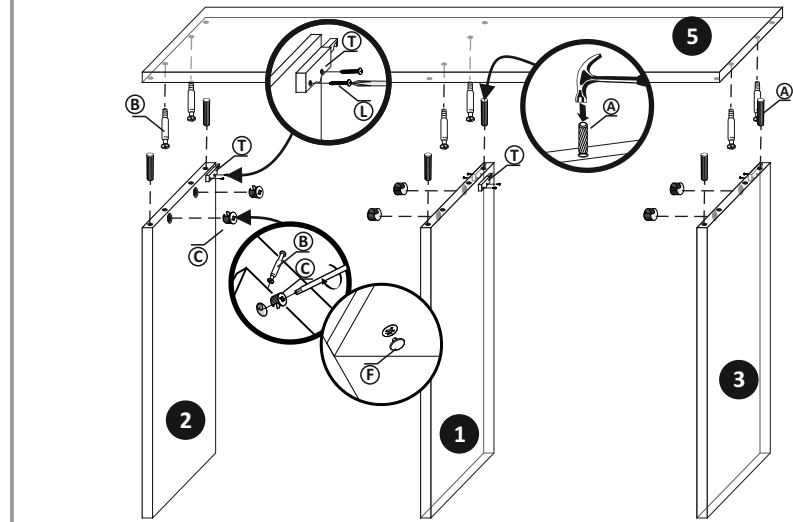
- |      |             |      |      |      |
|------|-------------|------|------|------|
| x 12 | 4x30<br>x 4 | x 12 | x 12 | x 12 |
| x 10 | 4x16<br>x 8 | x 6  | x 4  | x 4  |

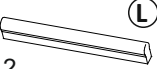
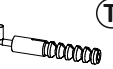


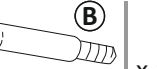







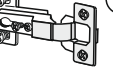





- |  |  |  |   |  |
|--|--|--|---|--|
| <br>x 2         | <br>x 4         | <br>x 1 | <br>x 12 | <br>x 2 |
| <br>3x20<br>x 5 | <br>x 12        | <br>x 8 | <br>x 8  | <br>x 6 |
| <br>x 8         | <br>4x30<br>x 8 | <br>x 2 | <br>x 4  | <br>x 8 |





- |   |  |   |   |   |   |  |
|---|--|---|---|---|---|--|
| <br>x 2 | <br>x 3 | <br>x 12 | <br>x 12 | <br>x 12 | <br>x 12 | <br>x 6 |
| <br>x 1 | <br>x 3 | <br>x 8  | <br>x 10 | <br>x 5  | <br>x 4  | <br>x 8 |

